

1- Constructed with wood glue.  
 A-H- Corrospoding part names.

All parts manufactured on CNC Router.

PROJECT

**2023-2024 project designs**

TITLE

**Laser Wood Organizer- Erica Siegmund**

APPROVED

CHECKED

SIZE

A

CODE

DWG NO

REV

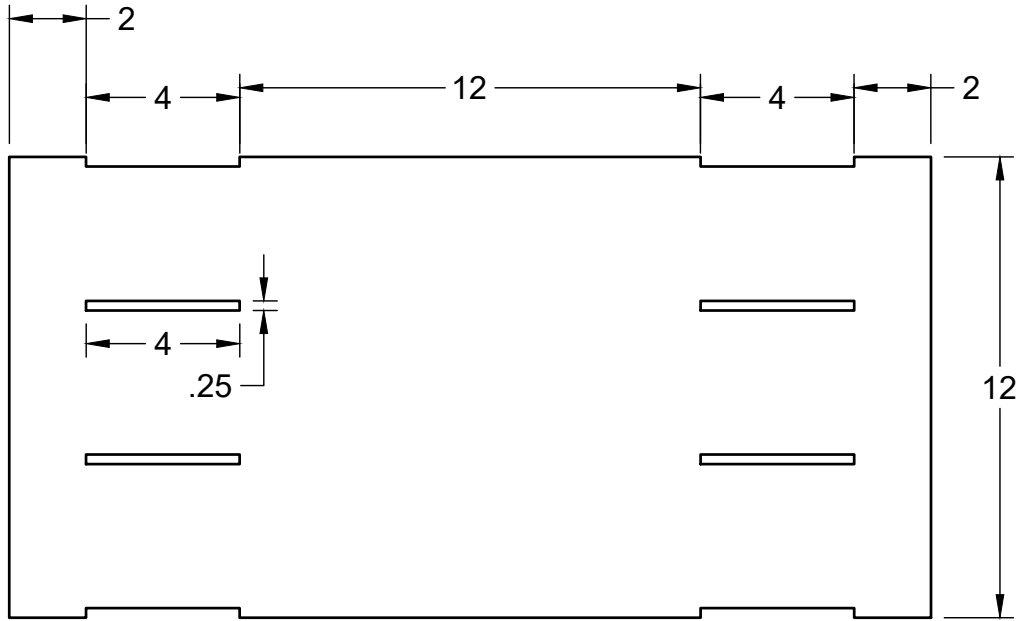
DRAWN

Erica Siegmund 1/30/2024

SCALE 1:16

WEIGHT

SHEET 1/6



PROJECT

**2023-2024 project designs**

TITLE

**Part A./Part B. Detail**

APPROVED

SIZE

CODE

DWG NO

REV

CHECKED

A

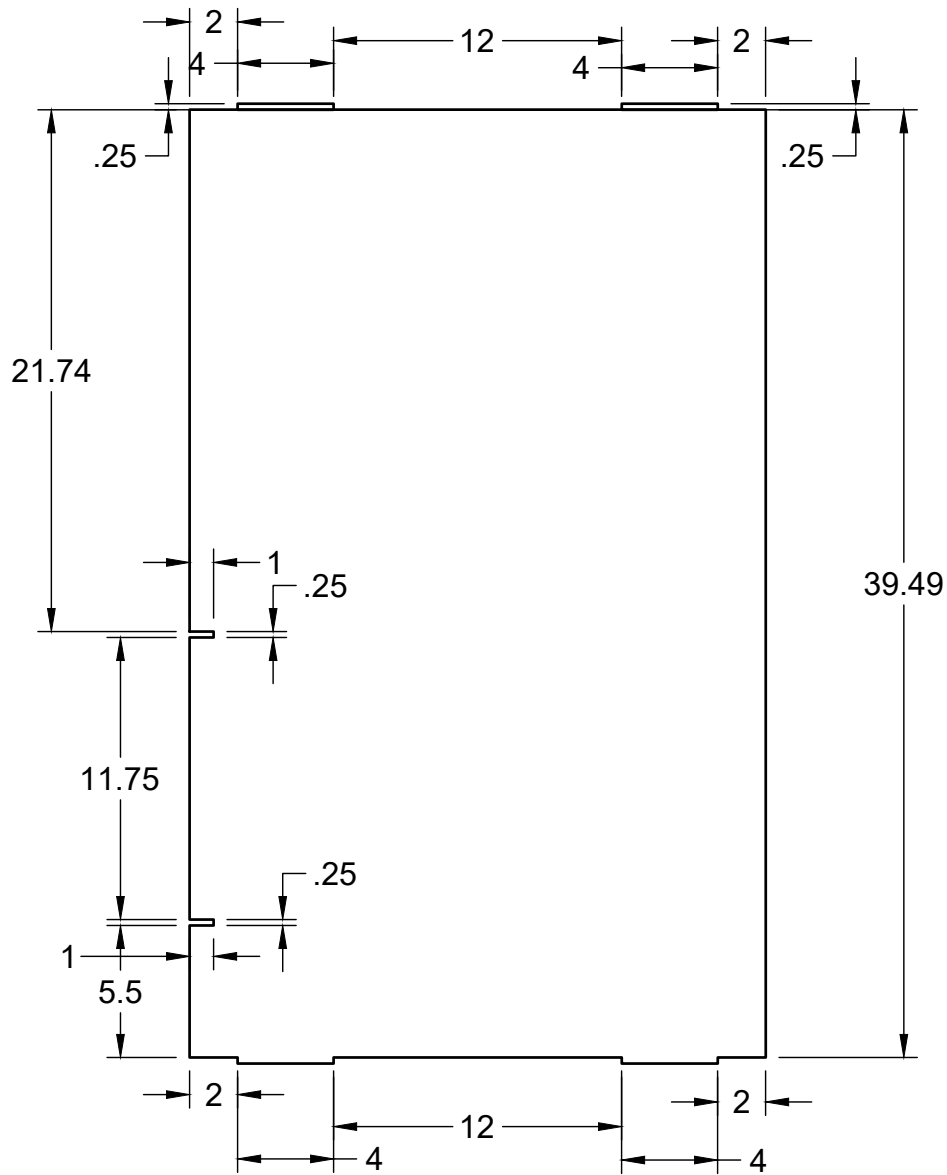
DRAWN

Erica Siegmund 1/30/2024

SCALE 1:16

WEIGHT

SHEET 2/6



PROJECT

**2023-2024 project designs**

TITLE

**Part C./Part D.**

APPROVED

SIZE

CODE

DWG NO

REV

CHECKED

A

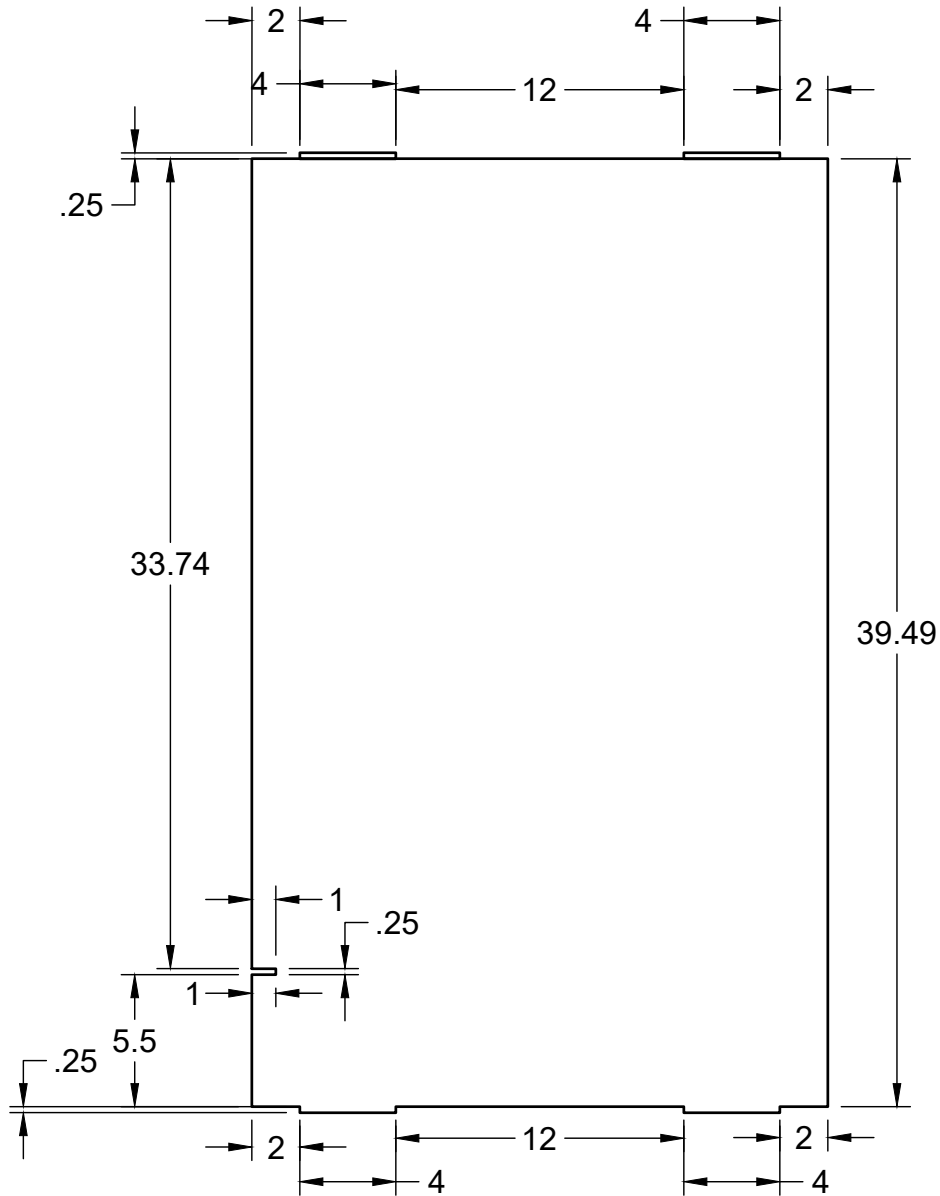
DRAWN

Erica Siegmund 1/30/2024

SCALE 1:8

WEIGHT

SHEET 3/6



PROJECT

**2023-2024 project designs**

TITLE

**Part E./Part F.**

APPROVED

SIZE

CODE

DWG NO

REV

CHECKED

A

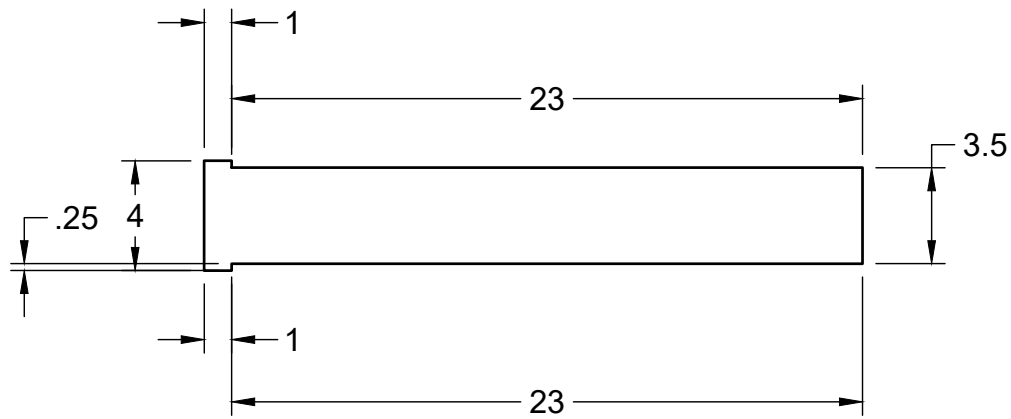
DRAWN

Erica Siegmund 1/30/2024

SCALE 1:8

WEIGHT

SHEET 4/6



PROJECT

**2023-2024 project designs**

TITLE

**Part G.**

APPROVED

SIZE

CODE

DWG NO

REV

CHECKED

A

DRAWN

Erica Siegmund 1/30/2024

SCALE 1:8

WEIGHT

SHEET 5/6

