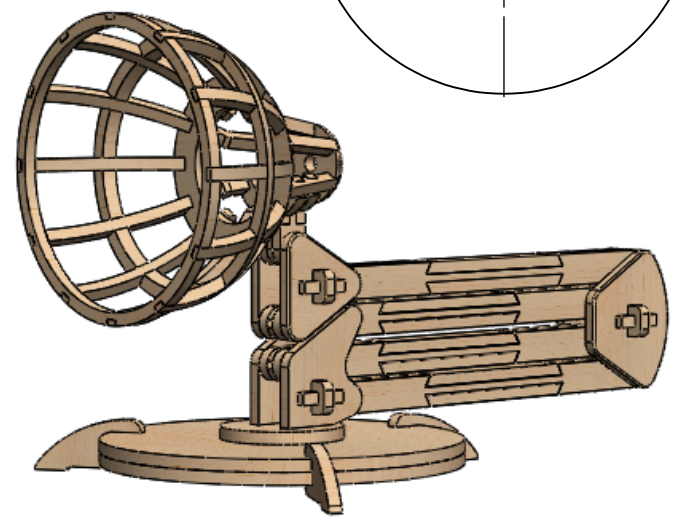


HERE YOU GO. THIS IS A 1:6 VERSION OF THE LAMP PROJECT. THIS CAN BE PRINTED 1:1 THEN SPRAY MOUNTED TO WHATEVER 1/8" SUBSTRATE YOUR HEART DESIRES AND CUT-AWAY. PERSONALLY, I WOULD SKIP DOVETAILING THE ARMS AND JUST MAKE THE SOLID OUT OF SOME SQUARE STOCK. FOR THE PIVOT POINTS I WOULD SUB IN DOWEL PINS.



John Induna AD

<small>PROPRIETARY AND CONFIDENTIAL</small> <small>THE INFORMATION CONTAINED IN THIS DRAWING IS THE SOLE PROPERTY OF JOHN ALLEN. ANY REPRODUCTION IN PART OR AS A WHOLE WITHOUT THE WRITTEN PERMISSION OF JOHN ALLEN IS PROHIBITED.</small>	DATE 04/06/2012	DRAWN BY JA
	TITLE:	
DO NOT SCALE DRAWING	SIZE B FILE NAME Lamp- 1-6 SCALE Instructables	REV
SCALE: 1:6	SHEET 1 OF 1	

NAME