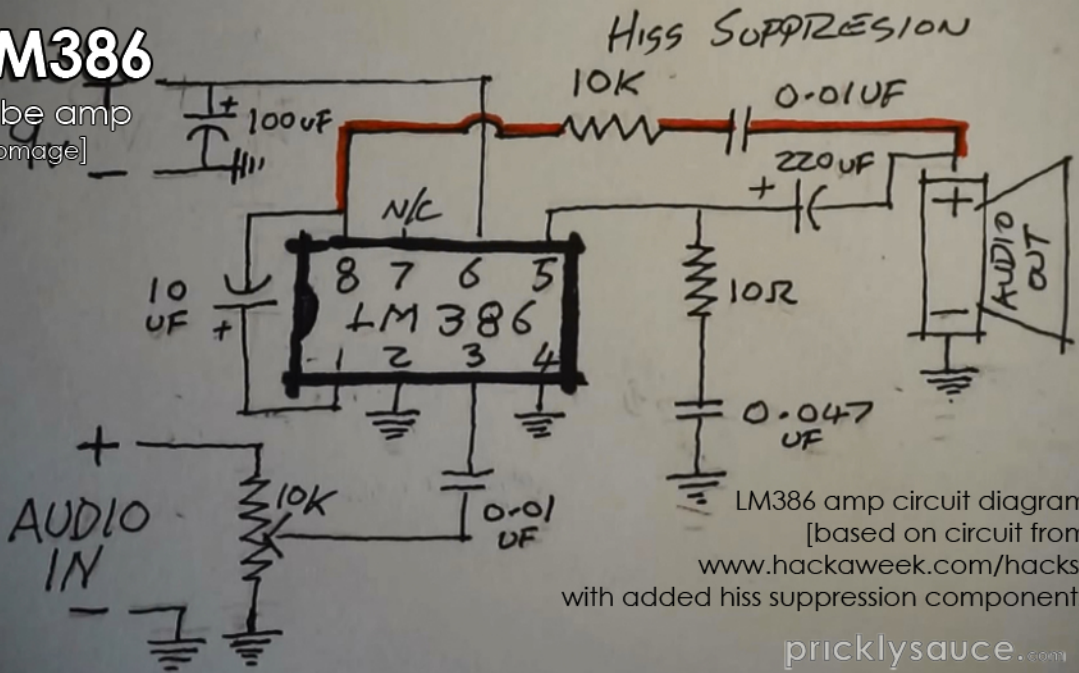




LM386

tube amp
[homage]



LM386 amp circuit diagram

[based on circuit from

www.hackaweek.com/hacks]

with added hiss suppression components