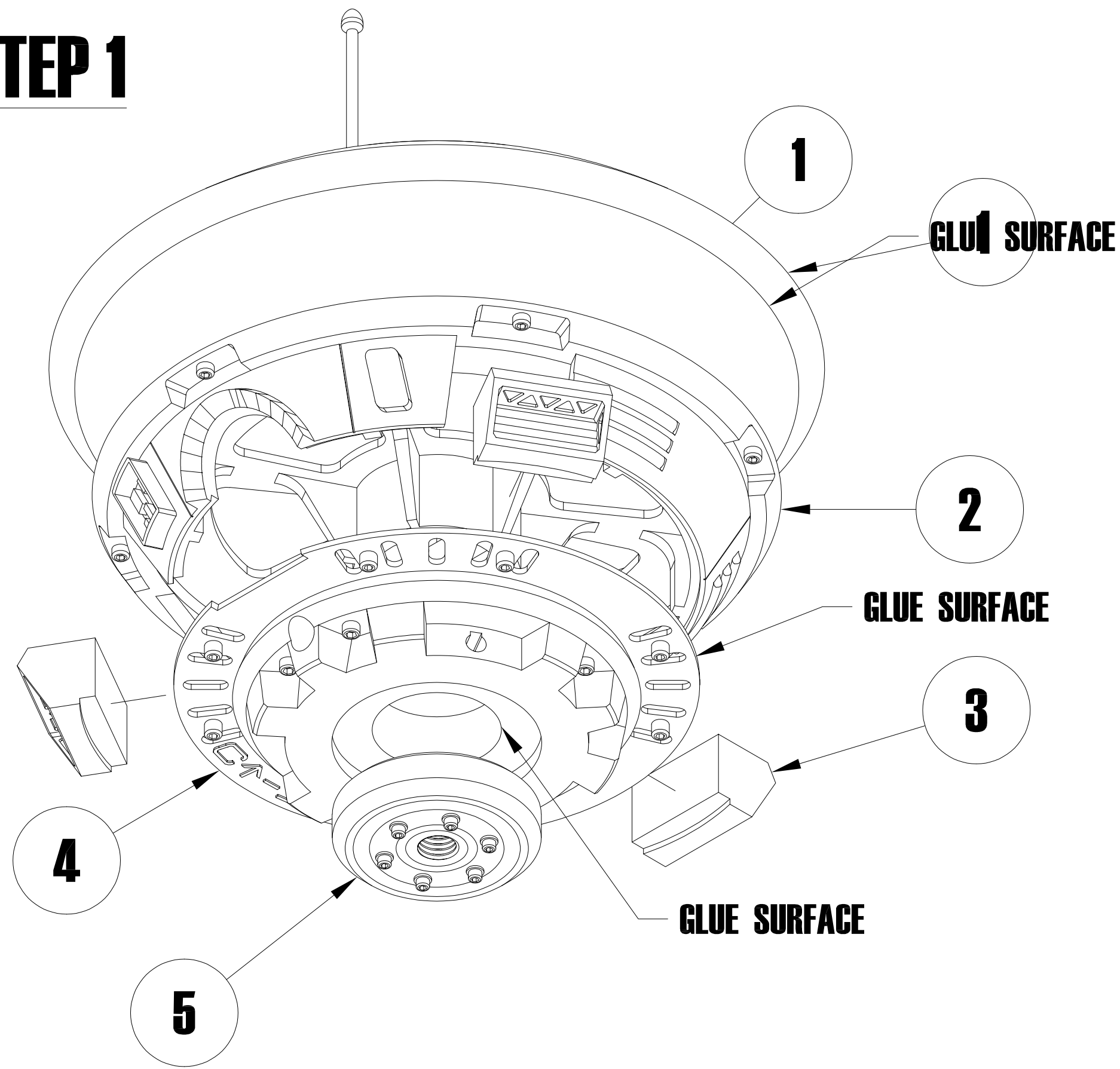
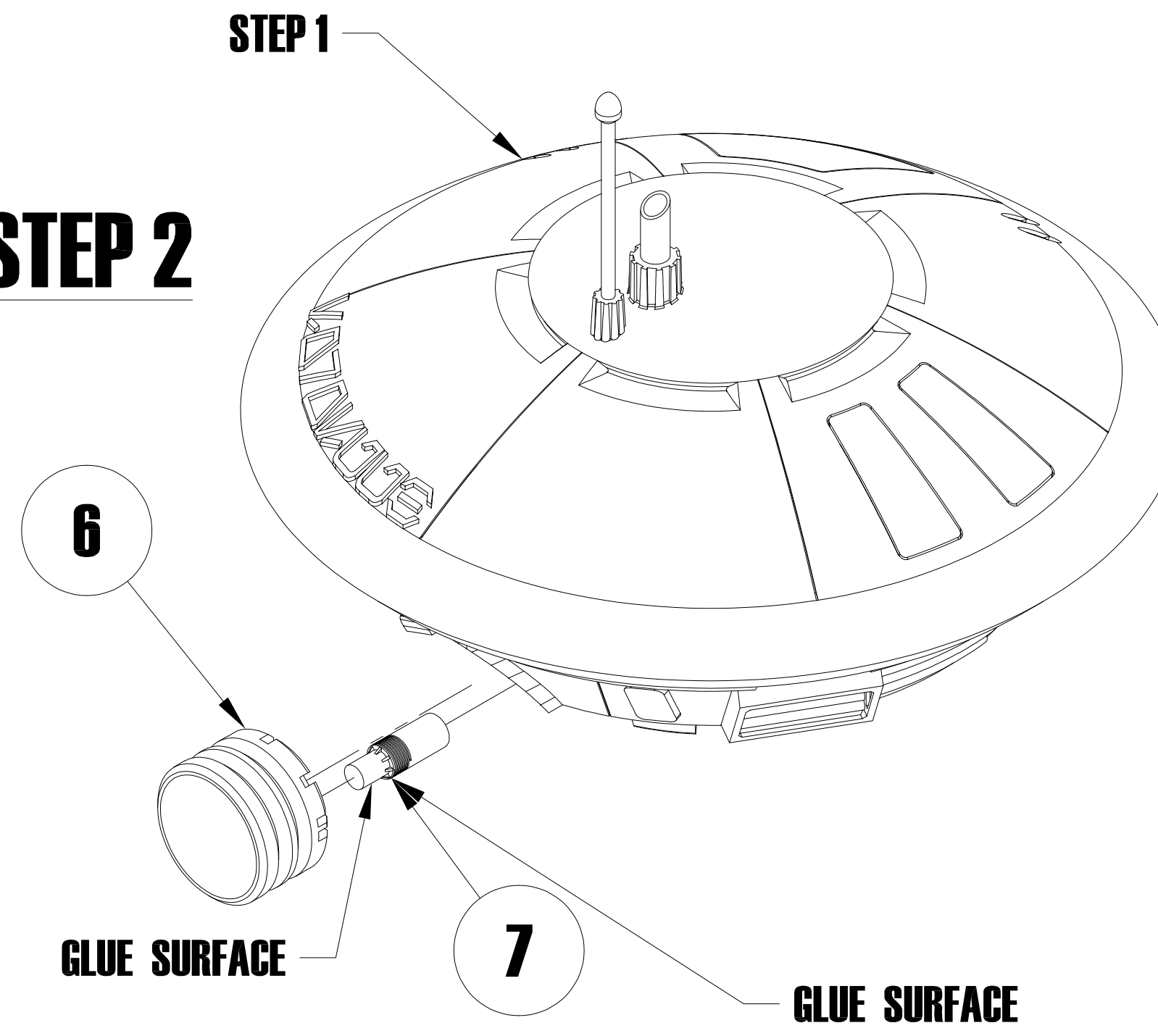


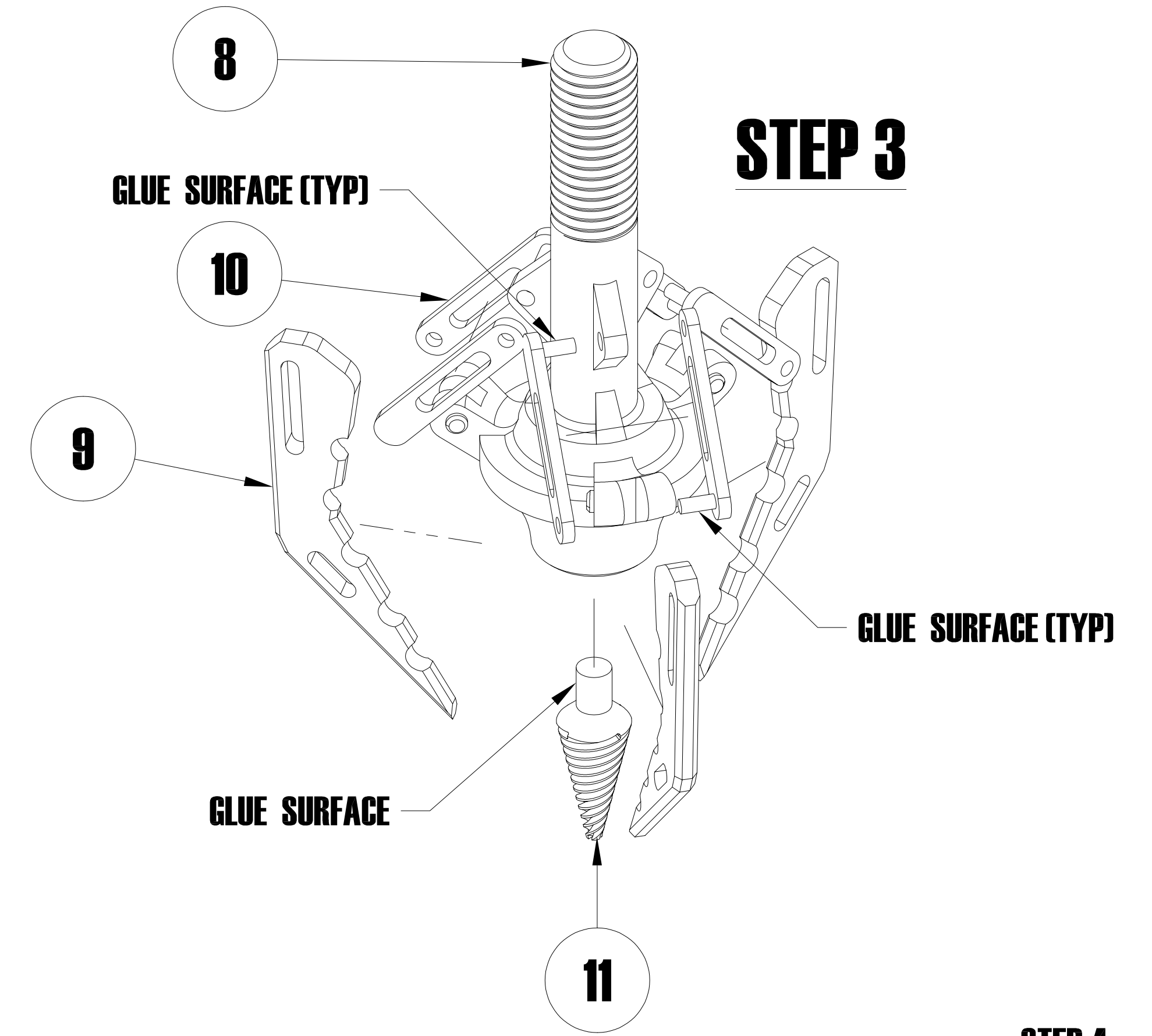
# STEP 1



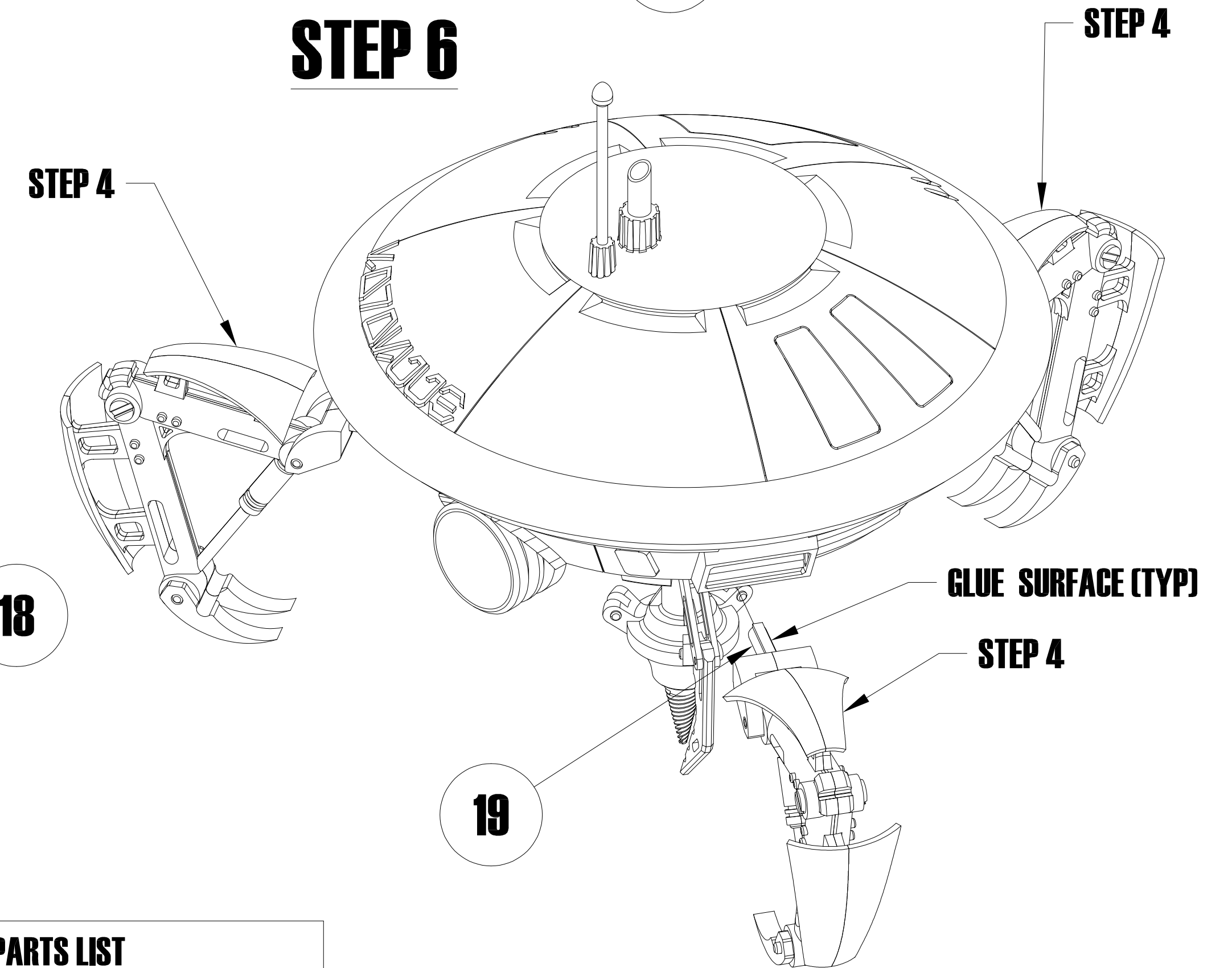
# STEP 2



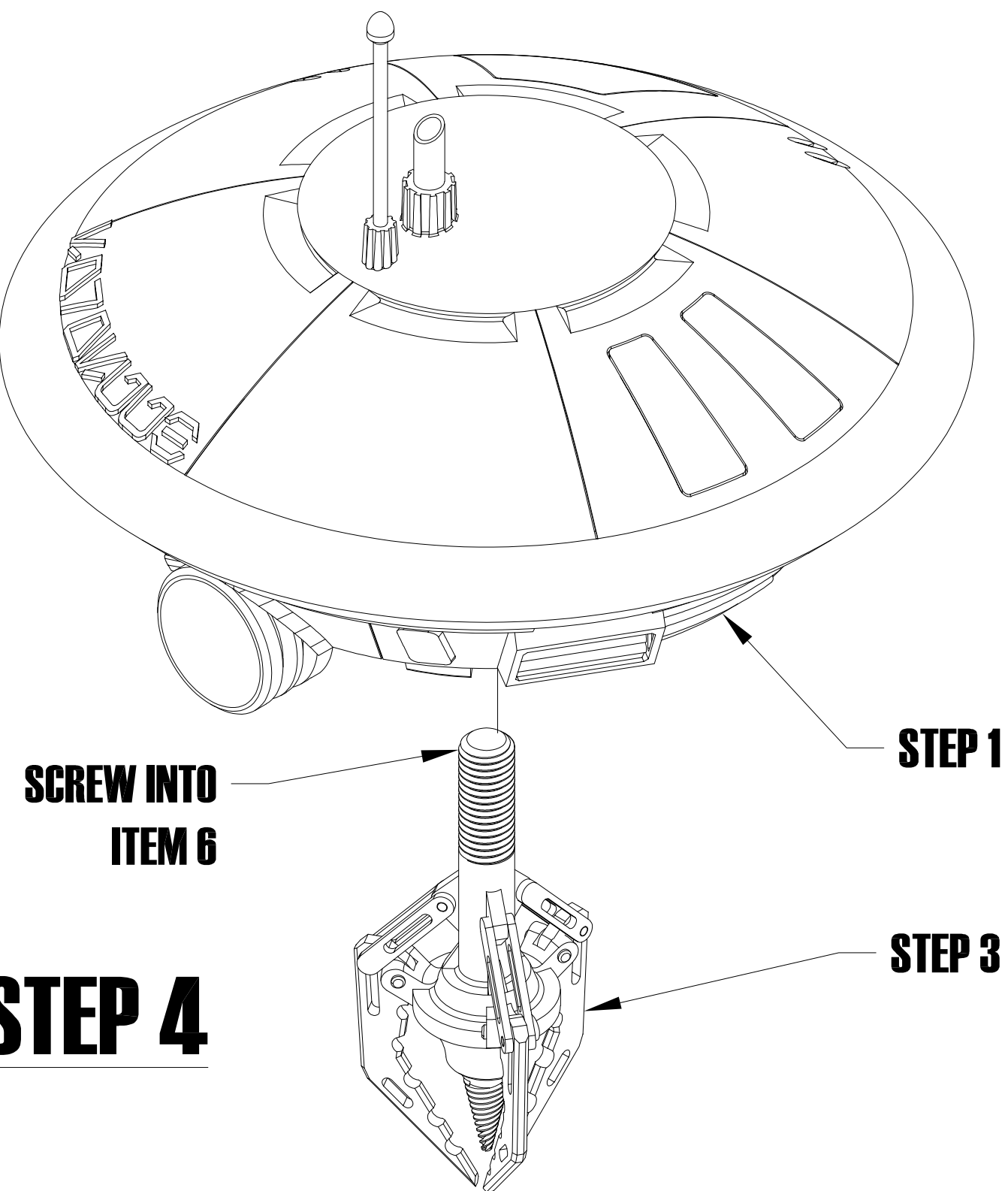
# STEP 3



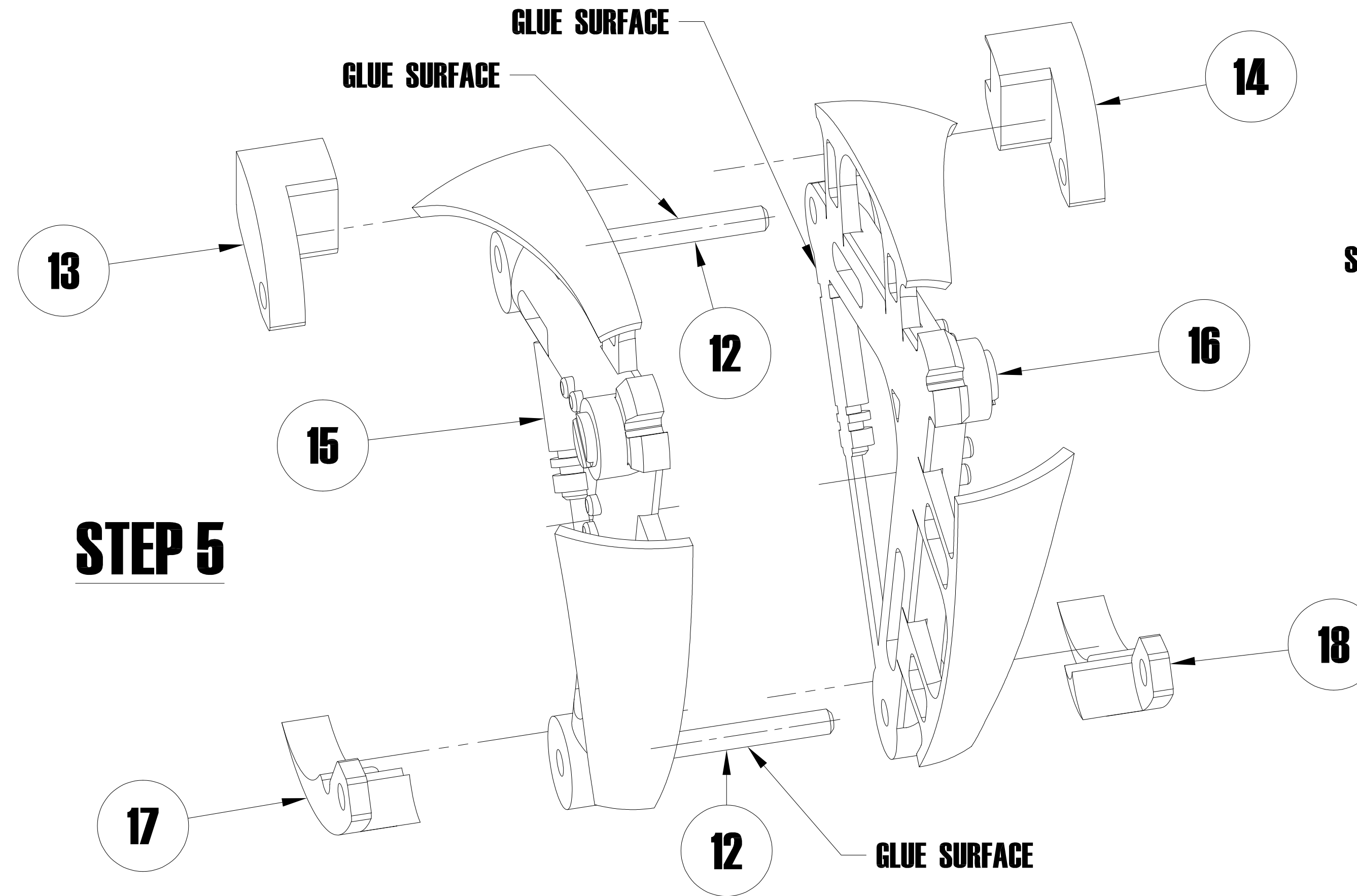
# STEP 6



# STEP 4



# STEP 5



PARTS LIST			PARTS LIST			PARTS LIST		
PART NUMBER	QTY	ITEM	PART NUMBER	QTY	ITEM	PART NUMBER	QTY	ITEM
DROID ARM RIGHT	3	15	GANTRY AND DRILL HOLDER	1	8	HEAD	1	1
DROID ARM LEFT	3	16	DRILL CLAW	3	9	MID-BODY	1	2
CLAW 2	3	17	CAWHINGE	6	10	RADER HOUSING	3	3
CLAW 1	3	18	DRILL	1	11	BOTTOM BODY	1	4
LARGE ARM PIN	3	19	ARM PIN	6	12	BOTTOM CAP	1	5
			BODY TO ARM HINGE LEFT	3	13	EYE	1	6
			BODY TO ARM HINGE RIGHT	3	14	EYE PIN	1	7

PROJECT  
AutoDesk Droid Maker Competition

TITLE  
KT-11 - Mining Droid

DRAWN BY Tramine Thornberry

5/12/2024

SIZE D

REV

SCALE 1:15 SHEET 1/1