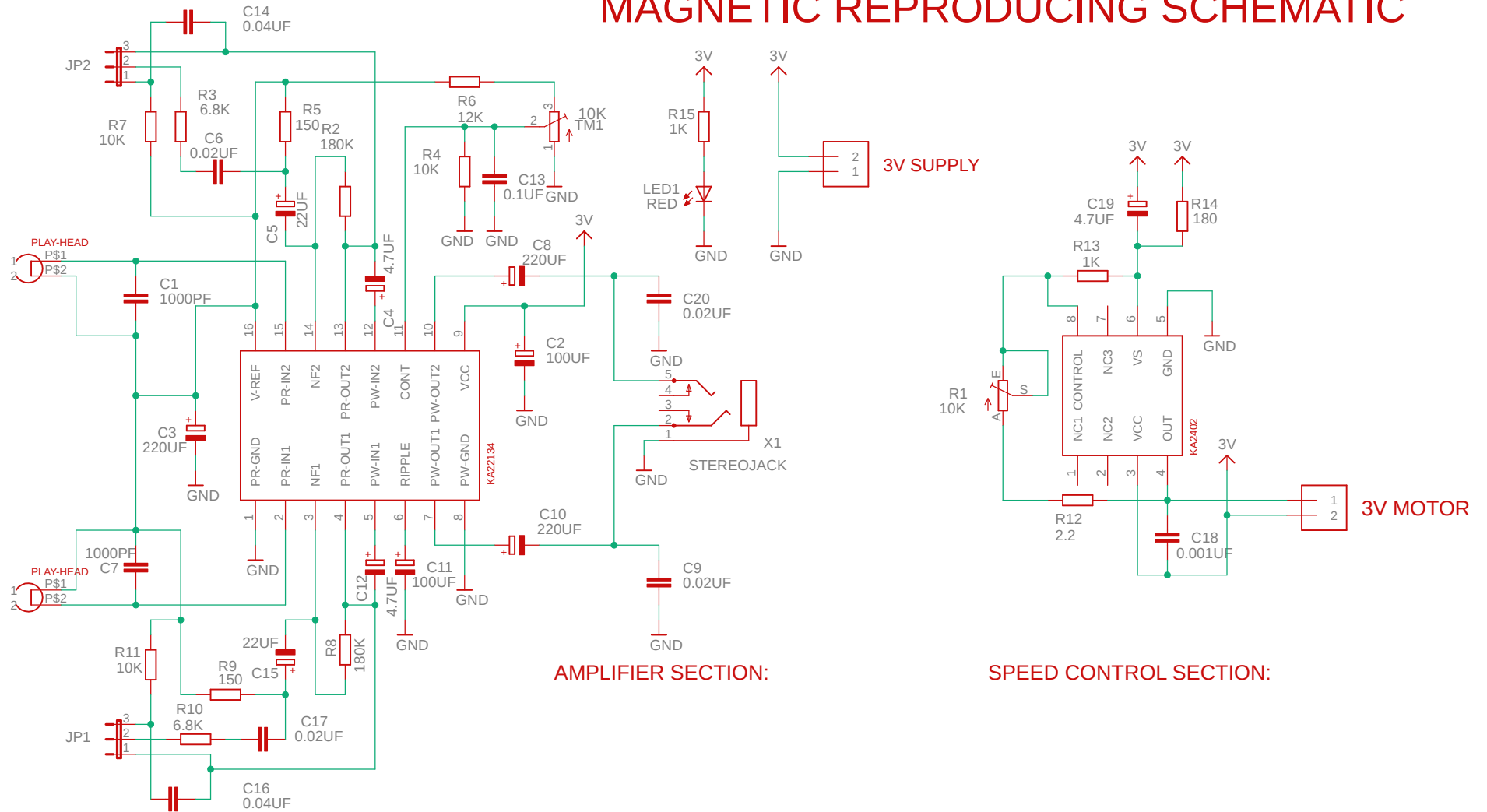


# MAGNETIC REPRODUCING SCHEMATIC



>CNAME		<b>AUTODESK EAGLE</b>	
KA22134 CASSETTE PLAYER			
20-06-2021 21:52		>DESIGNER <b>Ramji Patel376</b>	
Sheet: 1/1		Rev: >CREVISION	