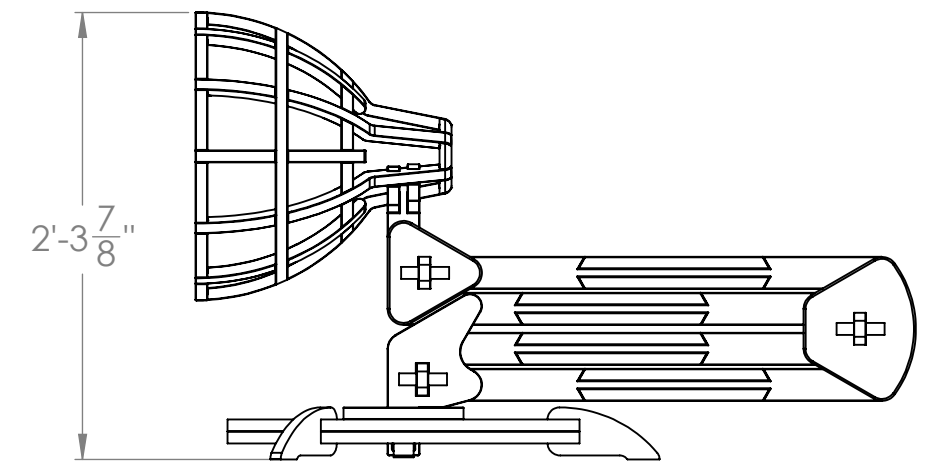
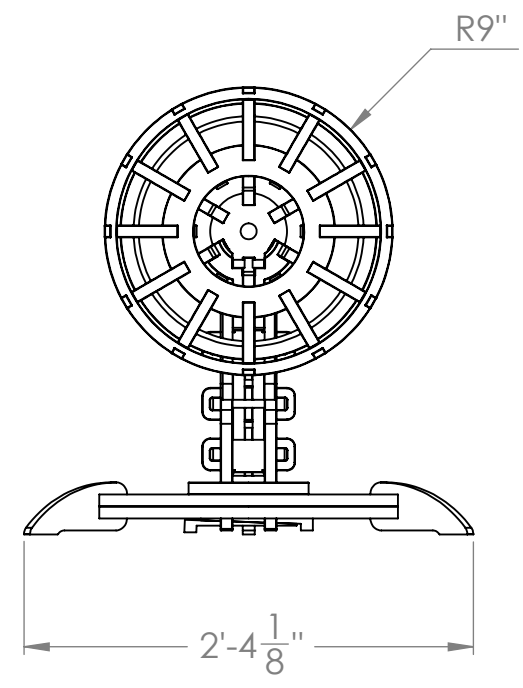
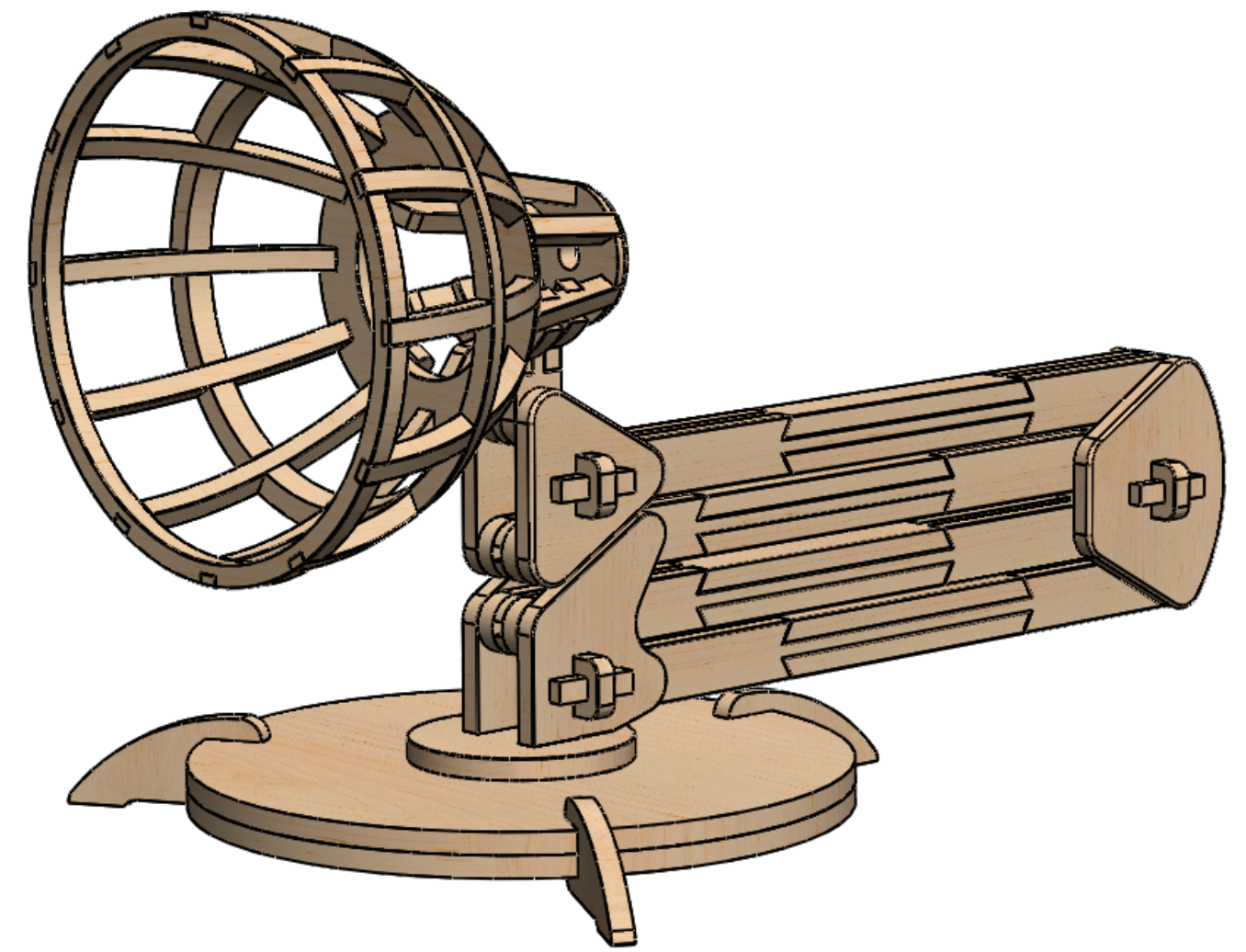
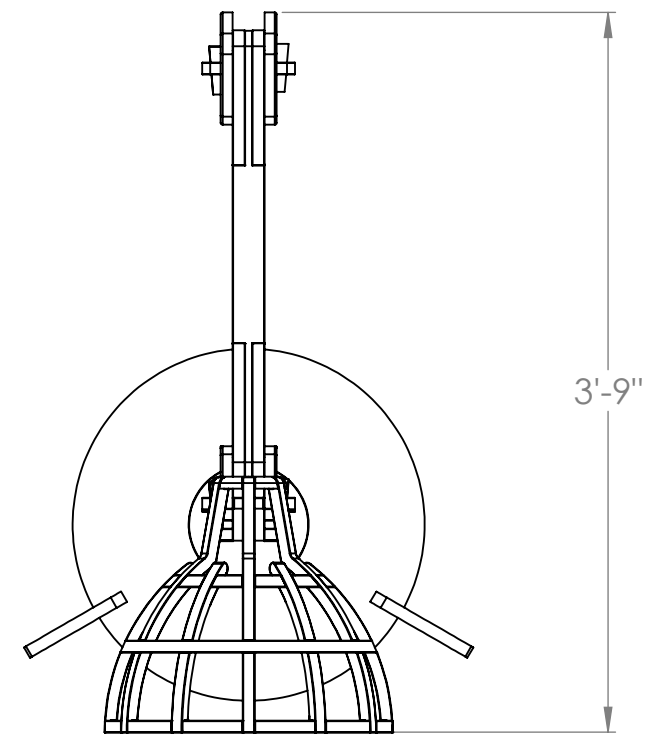


8 7 6 5 4 3 2 1

D
C
B
A

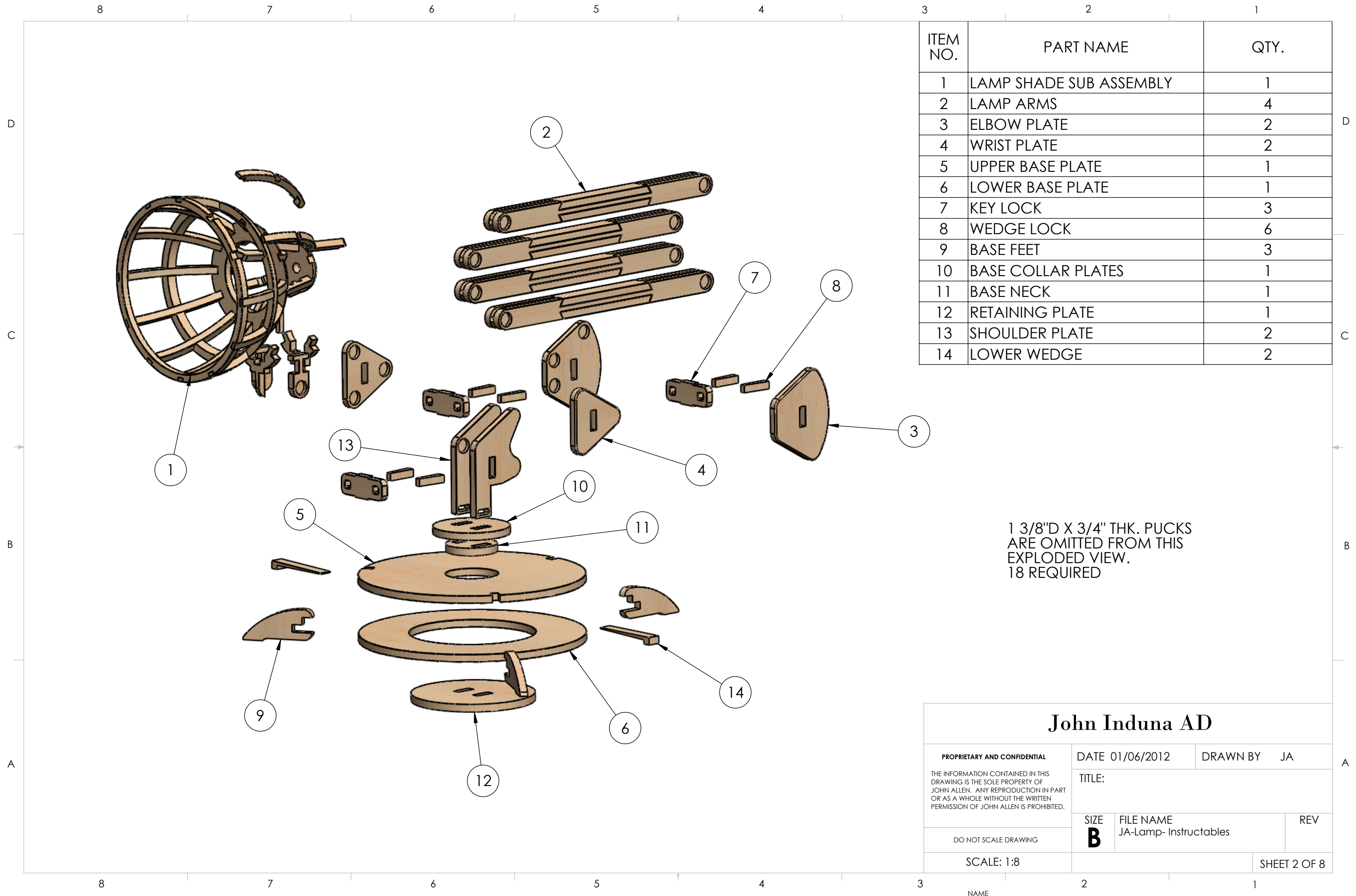


John Induna AD

<small>PROPRIETARY AND CONFIDENTIAL</small> <small>THE INFORMATION CONTAINED IN THIS DRAWING IS THE SOLE PROPERTY OF JOHN ALLEN. ANY REPRODUCTION IN PART OR AS A WHOLE WITHOUT THE WRITTEN PERMISSION OF JOHN ALLEN IS PROHIBITED.</small>	DATE 01/06/2012	DRAWN BY JA
	TITLE:	
DO NOT SCALE DRAWING	SIZE B FILE NAME JA-Lamp- Instructables	REV
SCALE: 1:12	SHEET 1 OF 8	

8 7 6 5 4 3 2 1

NAME



ITEM NO.	PART NAME	QTY.
1	LAMP SHADE SUB ASSEMBLY	1
2	LAMP ARMS	4
3	ELBOW PLATE	2
4	WRIST PLATE	2
5	UPPER BASE PLATE	1
6	LOWER BASE PLATE	1
7	KEY LOCK	3
8	WEDGE LOCK	6
9	BASE FEET	3
10	BASE COLLAR PLATES	1
11	BASE NECK	1
12	RETAINING PLATE	1
13	SHOULDER PLATE	2
14	LOWER WEDGE	2

1 3/8"D X 3/4" THK. PUCKS ARE OMITTED FROM THIS EXPLODED VIEW. 18 REQUIRED

John Induna AD

PROPRIETARY AND CONFIDENTIAL <small>THE INFORMATION CONTAINED IN THIS DRAWING IS THE SOLE PROPERTY OF JOHN ALLEN. ANY REPRODUCTION IN PART OR AS A WHOLE WITHOUT THE WRITTEN PERMISSION OF JOHN ALLEN IS PROHIBITED.</small>	DATE 01/06/2012	DRAWN BY JA
	TITLE:	
DO NOT SCALE DRAWING	SIZE B FILE NAME JA-Lamp- Instructables	REV
SCALE: 1:8	SHEET 2 OF 8	

8 7 6 5 4 3 2 1

8 7 6 5 4 3 2 1

D
C
B
A

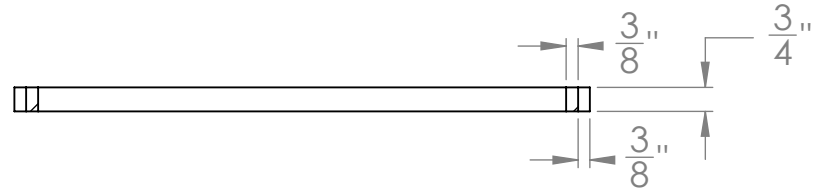
D
C
B
A

NAME

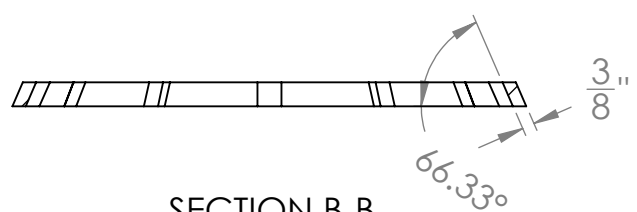
8 7 6 5 4 3 2 1

D
C
B
A

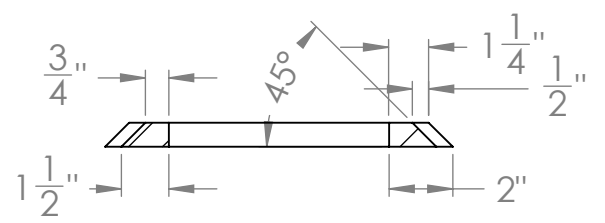
D
C
B
A



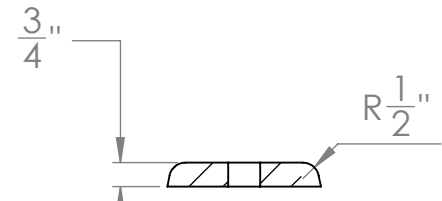
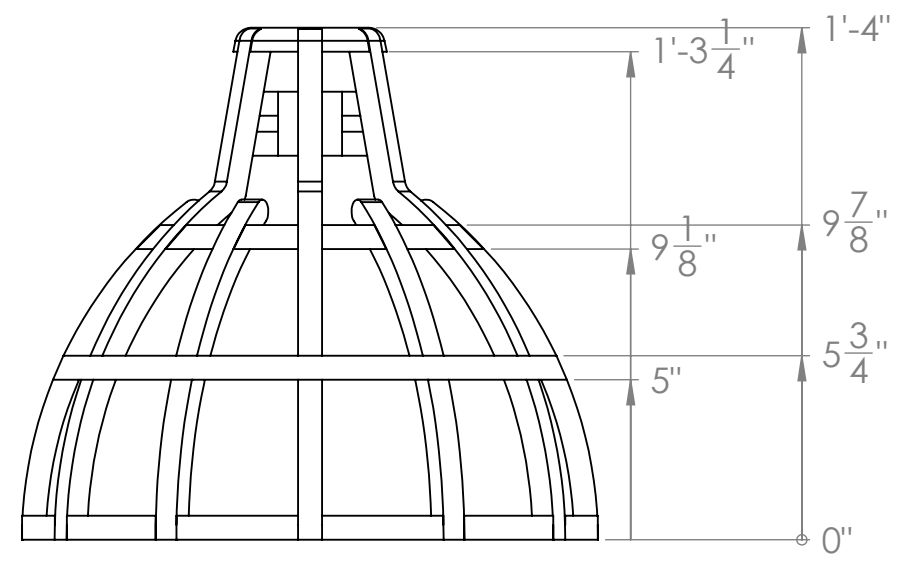
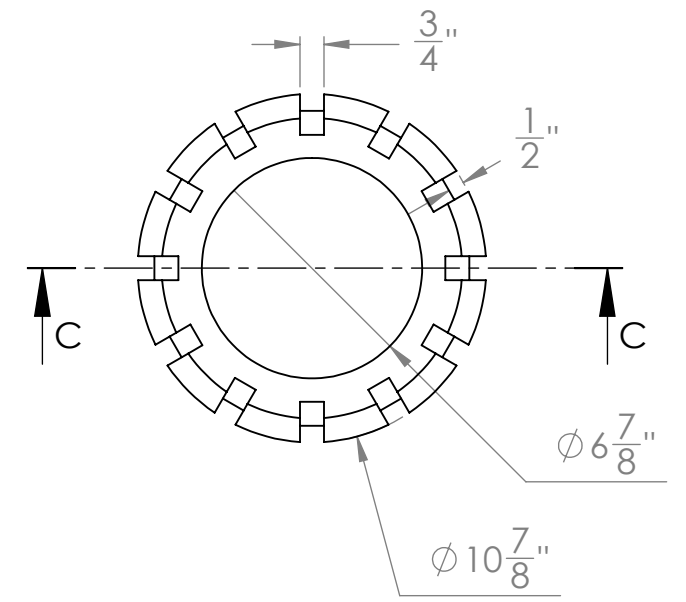
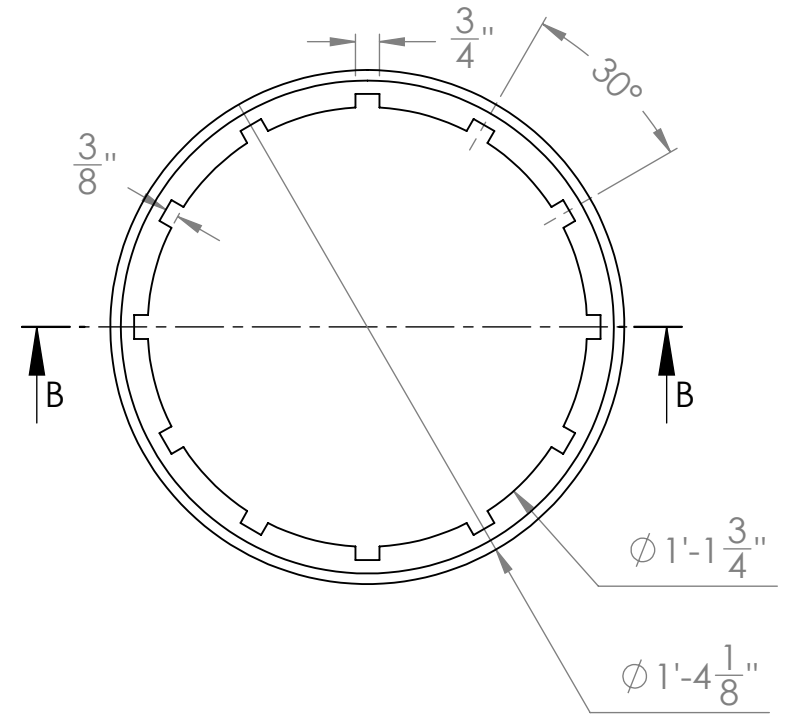
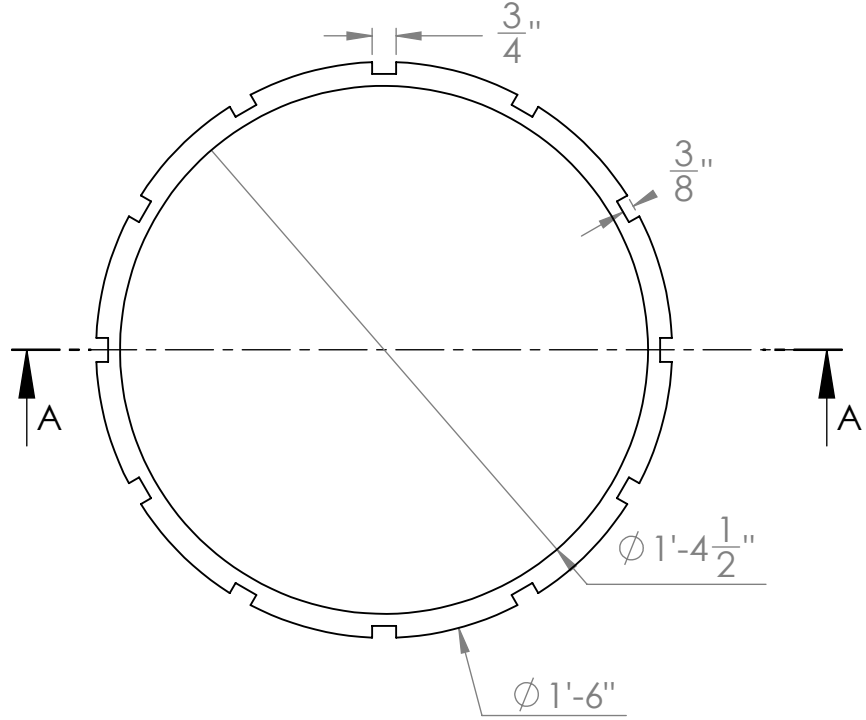
SECTION A-A



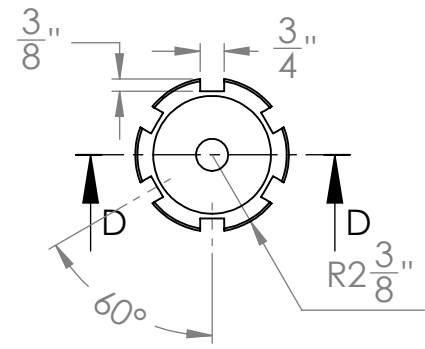
SECTION B-B



SECTION C-C



SECTION D-D



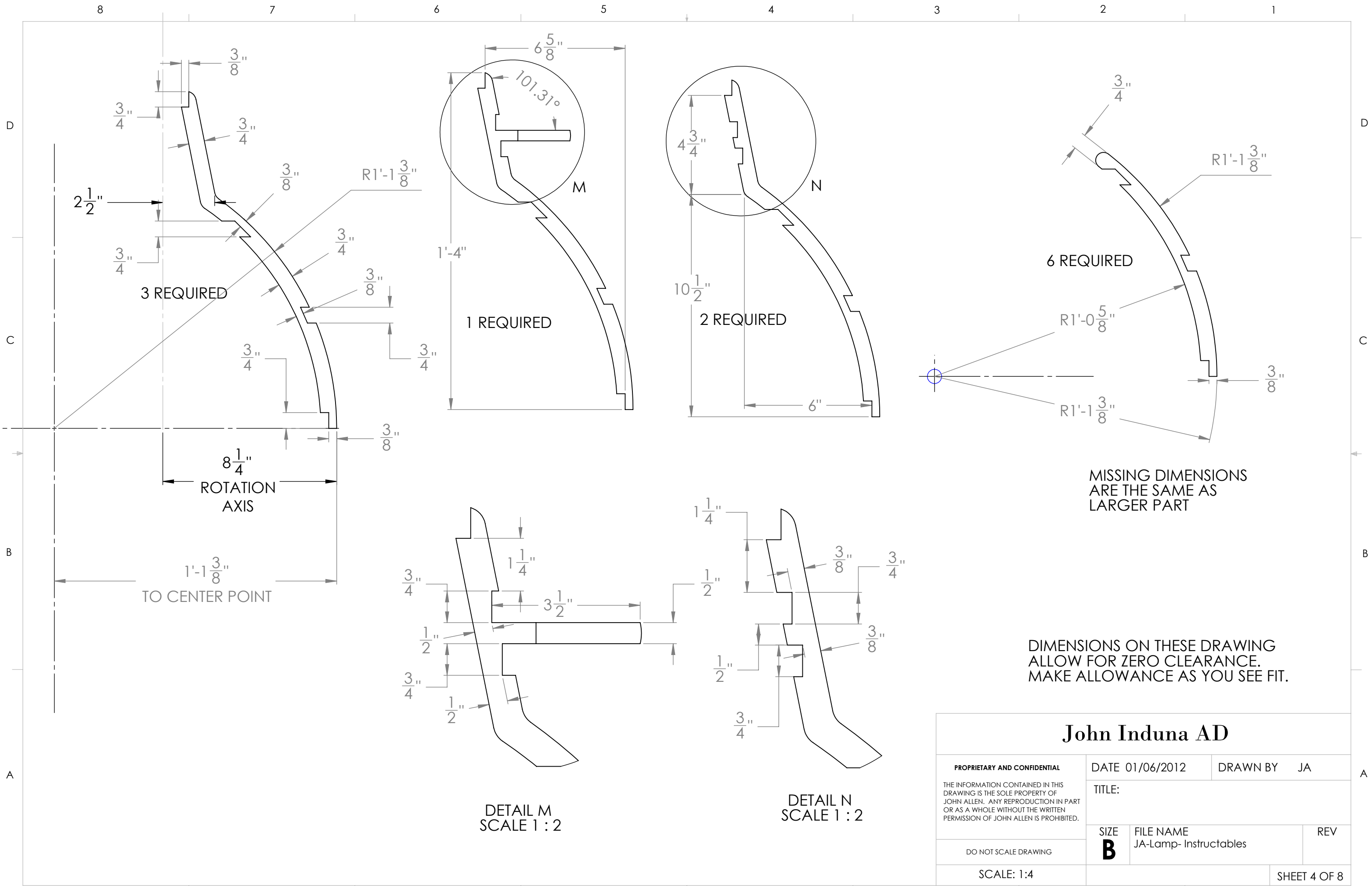
DIMENSIONS ON THESE DRAWING
ALLOW FOR ZERO CLEARANCE.
MAKE ALLOWANCE AS YOU SEE FIT.

John Induna AD

PROPRIETARY AND CONFIDENTIAL <small>THE INFORMATION CONTAINED IN THIS DRAWING IS THE SOLE PROPERTY OF JOHN ALLEN. ANY REPRODUCTION IN PART OR AS A WHOLE WITHOUT THE WRITTEN PERMISSION OF JOHN ALLEN IS PROHIBITED.</small>	DATE 01/06/2012	DRAWN BY JA
	TITLE:	
DO NOT SCALE DRAWING	SIZE B FILE NAME JA-Lamp- Instructables	REV
SCALE: 1:6	SHEET 3 OF 8	

8 7 6 5 4 3 2 1

NAME



MISSING DIMENSIONS
ARE THE SAME AS
LARGER PART

DIMENSIONS ON THESE DRAWING
ALLOW FOR ZERO CLEARANCE.
MAKE ALLOWANCE AS YOU SEE FIT.

John Induna AD

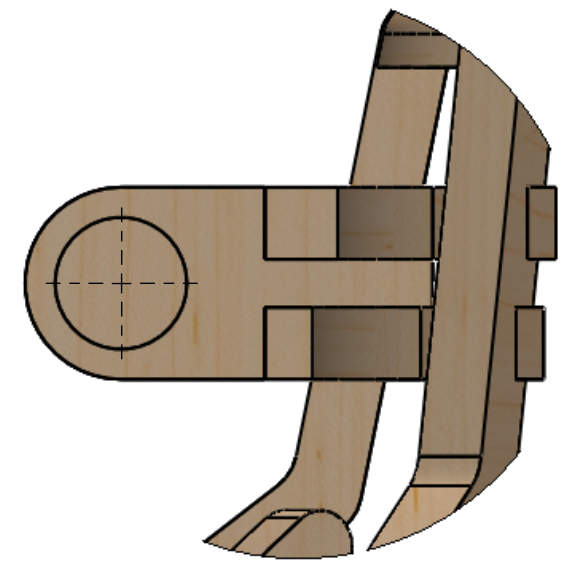
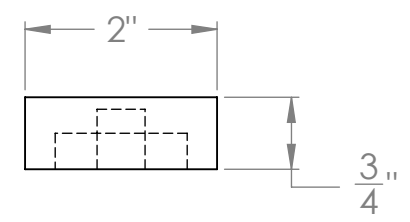
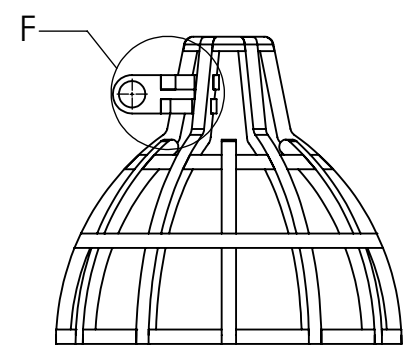
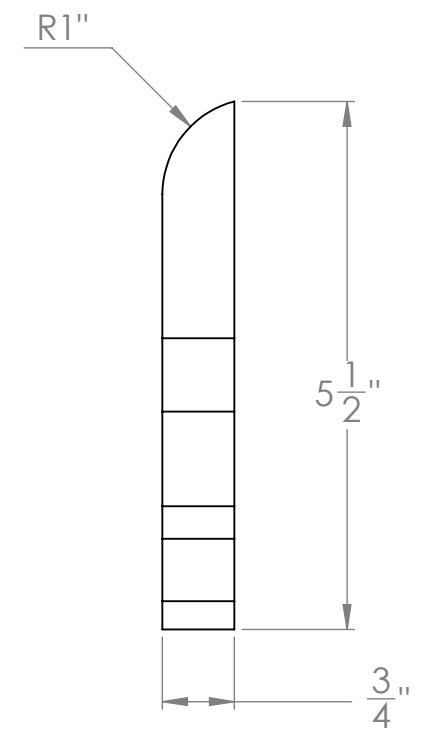
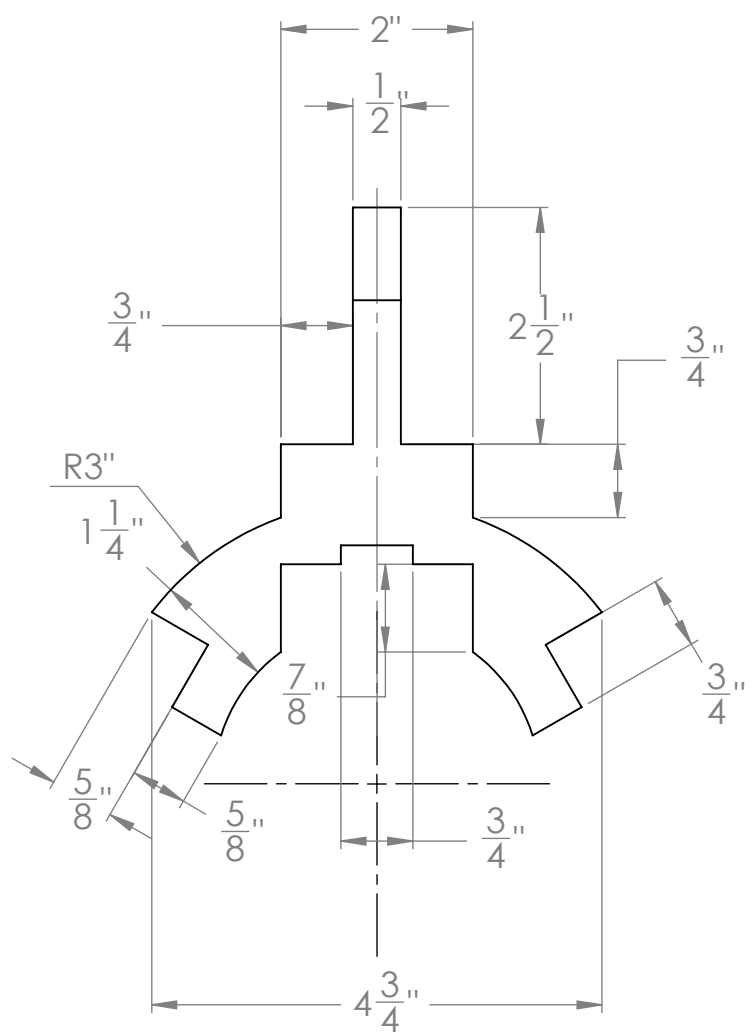
PROPRIETARY AND CONFIDENTIAL <small>THE INFORMATION CONTAINED IN THIS DRAWING IS THE SOLE PROPERTY OF JOHN ALLEN. ANY REPRODUCTION IN PART OR AS A WHOLE WITHOUT THE WRITTEN PERMISSION OF JOHN ALLEN IS PROHIBITED.</small>	DATE 01/06/2012	DRAWN BY JA
	TITLE:	
DO NOT SCALE DRAWING	SIZE B FILE NAME JA-Lamp- Instructables	REV
SCALE: 1:4	SHEET 4 OF 8	

DETAIL M
SCALE 1 : 2

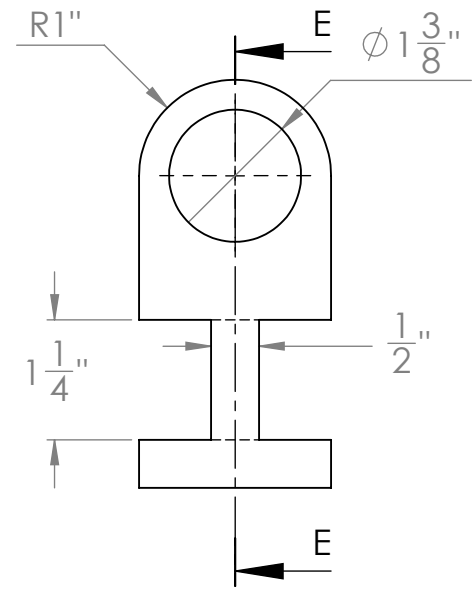
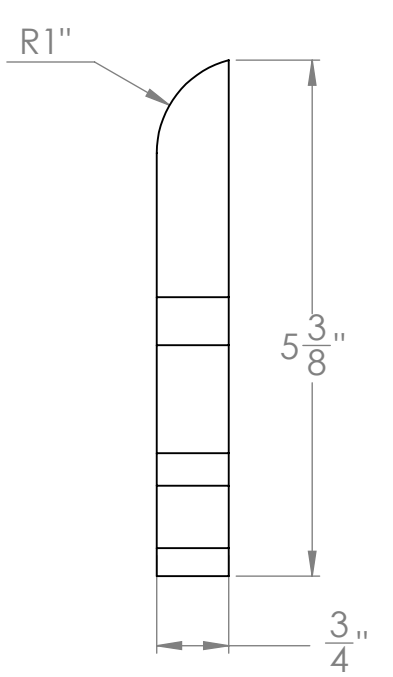
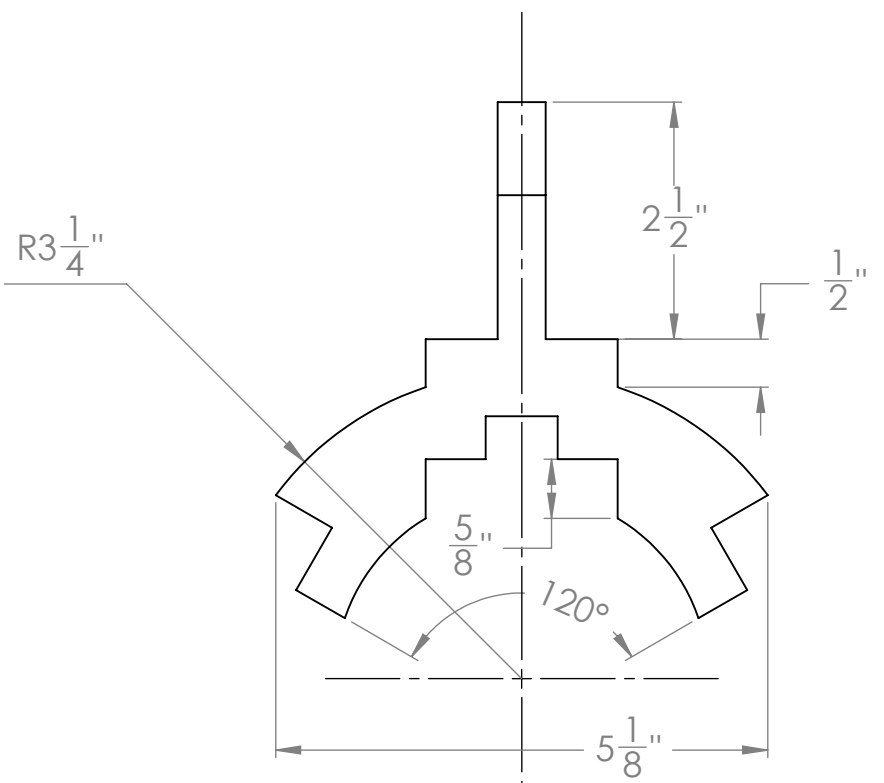
DETAIL N
SCALE 1 : 2

8 7 6 5 4 3 2 1

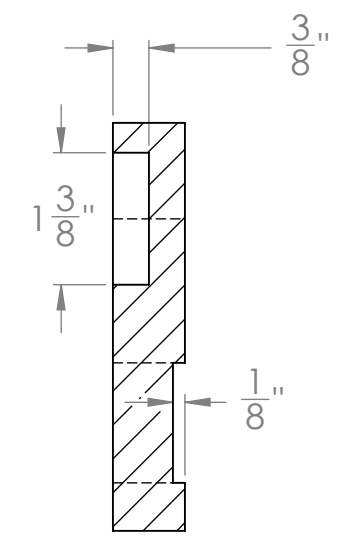
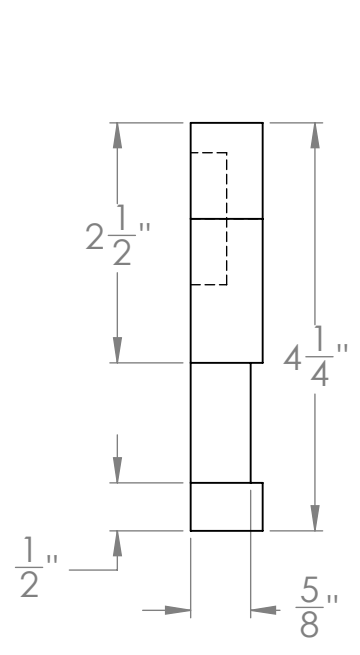
D
C
B
A



DETAIL F



2 REQUIRED



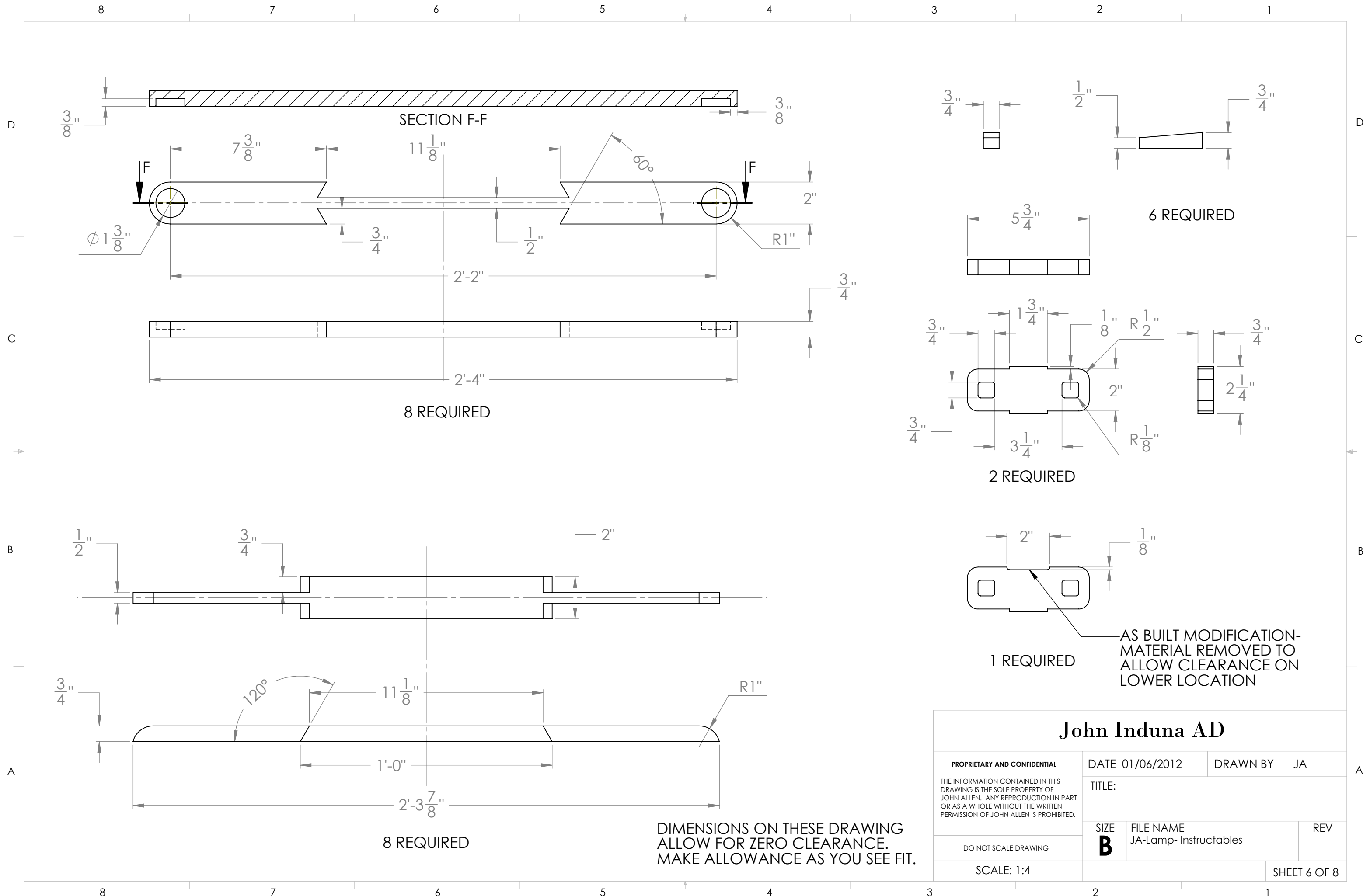
SECTION E-E

DIMENSIONS ON THESE DRAWING
ALLOW FOR ZERO CLEARANCE.
MAKE ALLOWANCE AS YOU SEE FIT.

John Induna AD

PROPRIETARY AND CONFIDENTIAL <small>THE INFORMATION CONTAINED IN THIS DRAWING IS THE SOLE PROPERTY OF JOHN ALLEN. ANY REPRODUCTION IN PART OR AS A WHOLE WITHOUT THE WRITTEN PERMISSION OF JOHN ALLEN IS PROHIBITED.</small>	DATE 01/06/2012	DRAWN BY JA
	TITLE:	
DO NOT SCALE DRAWING	SIZE B	FILE NAME JA-Lamp- Instructables
SCALE: 1:2		REV
NAME		SHEET 5 OF 8

8 7 6 5 4 3 2 1



SECTION F-F

8 REQUIRED

8 REQUIRED

6 REQUIRED

2 REQUIRED

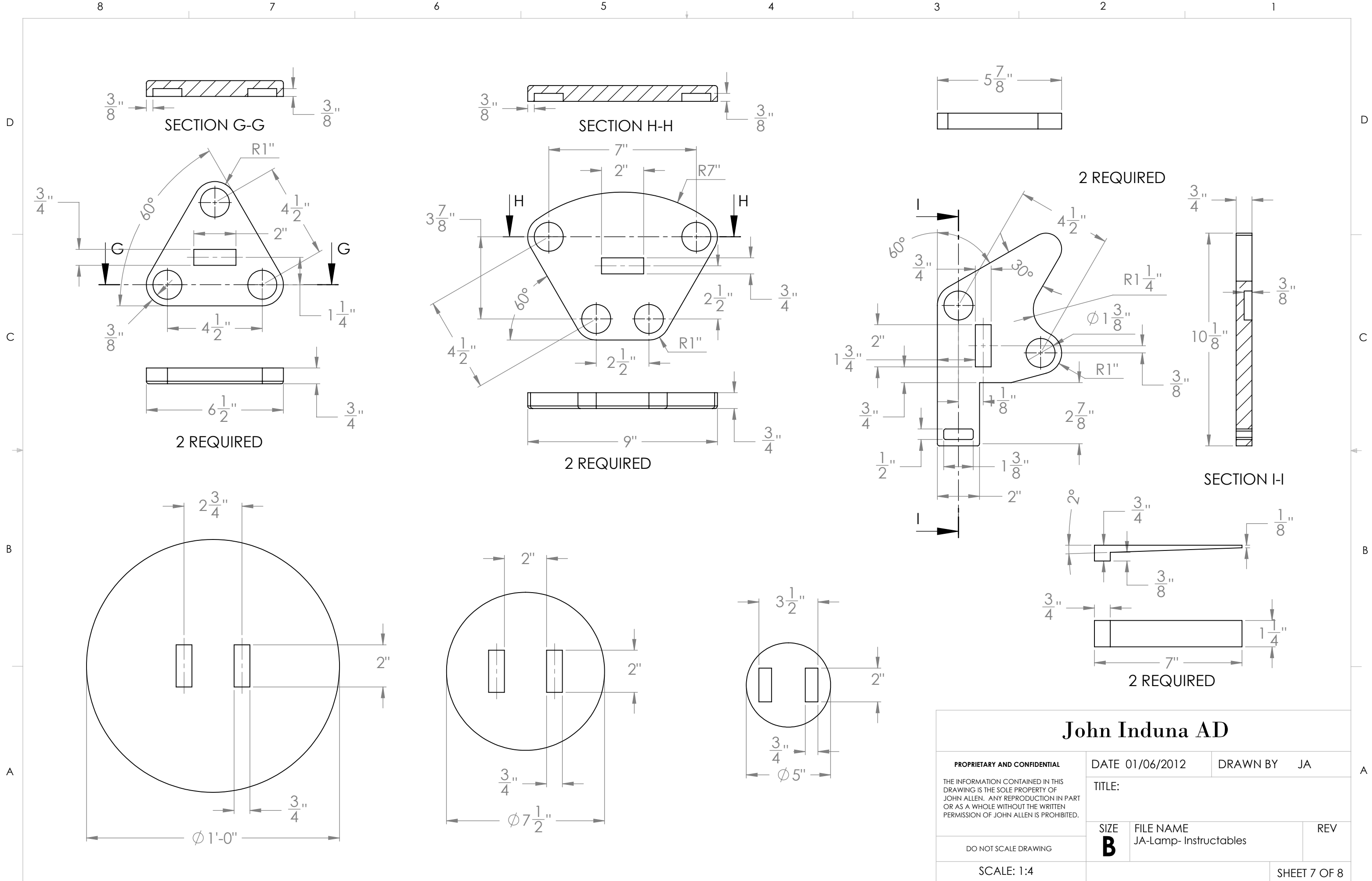
1 REQUIRED

AS BUILT MODIFICATION-MATERIAL REMOVED TO ALLOW CLEARANCE ON LOWER LOCATION

DIMENSIONS ON THESE DRAWING ALLOW FOR ZERO CLEARANCE. MAKE ALLOWANCE AS YOU SEE FIT.

John Induna AD

<small>PROPRIETARY AND CONFIDENTIAL</small> THE INFORMATION CONTAINED IN THIS DRAWING IS THE SOLE PROPERTY OF JOHN ALLEN. ANY REPRODUCTION IN PART OR AS A WHOLE WITHOUT THE WRITTEN PERMISSION OF JOHN ALLEN IS PROHIBITED.	DATE 01/06/2012	DRAWN BY JA
	TITLE:	
DO NOT SCALE DRAWING	SIZE B FILE NAME JA-Lamp- Instructables	REV
SCALE: 1:4	SHEET 6 OF 8	



John Induna AD

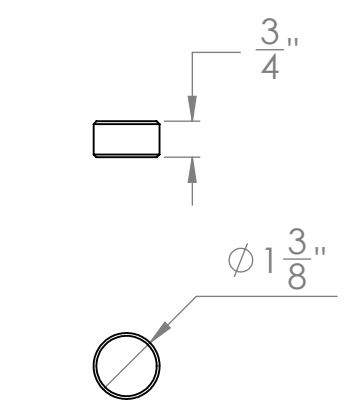
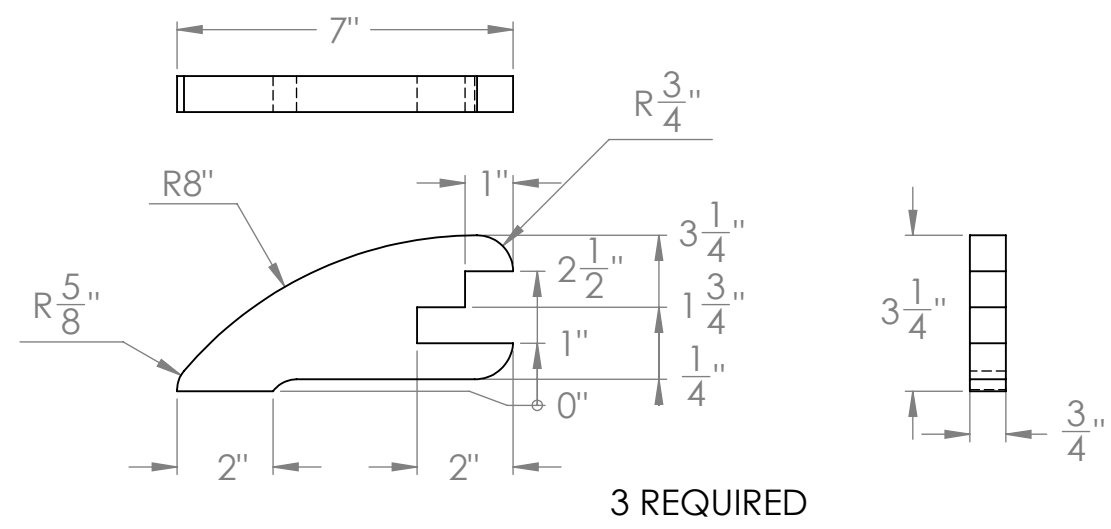
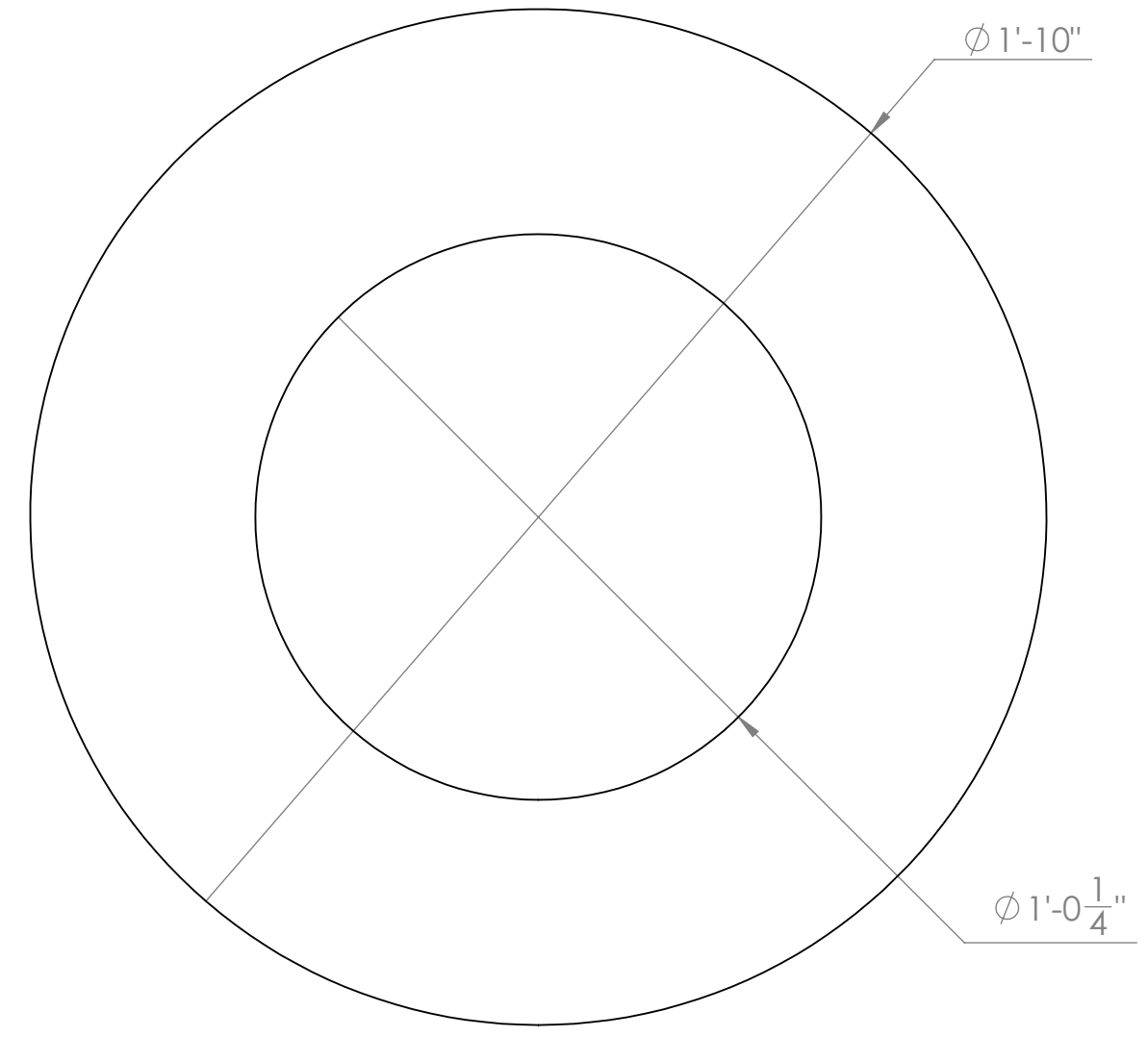
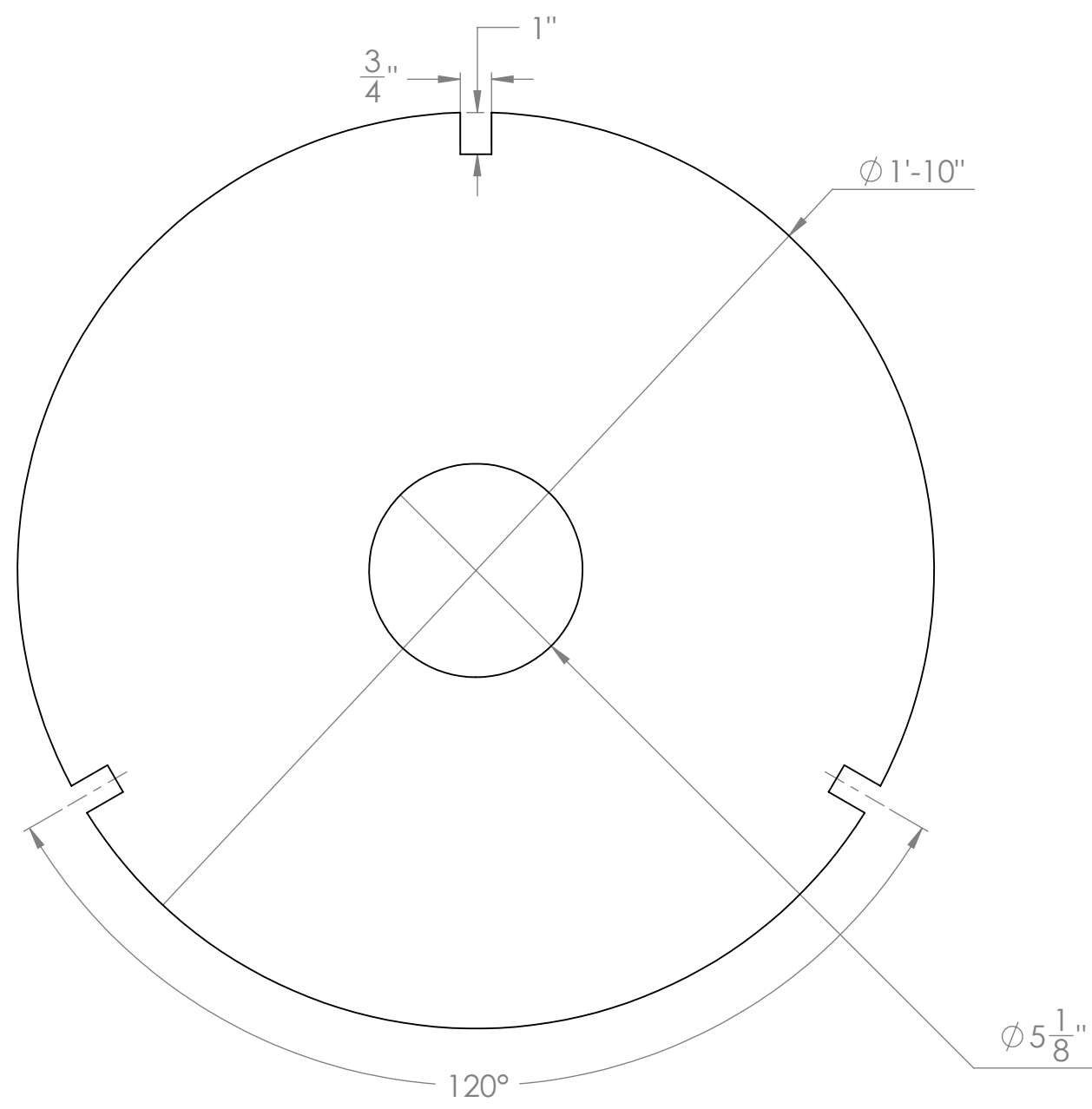
PROPRIETARY AND CONFIDENTIAL THE INFORMATION CONTAINED IN THIS DRAWING IS THE SOLE PROPERTY OF JOHN ALLEN. ANY REPRODUCTION IN PART OR AS A WHOLE WITHOUT THE WRITTEN PERMISSION OF JOHN ALLEN IS PROHIBITED.	DATE 01/06/2012	DRAWN BY JA
	TITLE:	
DO NOT SCALE DRAWING	SIZE B FILE NAME JA-Lamp- Instructables	REV
SCALE: 1:4	SHEET 7 OF 8	

NAME _____

8 7 6 5 4 3 2 1

D
C
B
A

D
C
B
A



<p>John Induna AD</p> <p><small>PROPRIETARY AND CONFIDENTIAL</small></p> <p><small>THE INFORMATION CONTAINED IN THIS DRAWING IS THE SOLE PROPERTY OF JOHN ALLEN. ANY REPRODUCTION IN PART OR AS A WHOLE WITHOUT THE WRITTEN PERMISSION OF JOHN ALLEN IS PROHIBITED.</small></p>		DATE 01/06/2012	DRAWN BY JA
		TITLE:	
DO NOT SCALE DRAWING	SIZE B	FILE NAME JA-Lamp- Instructables	REV
SCALE: 1:4			SHEET 8 OF 8

8 7 6 5 4 3 2 1

NAME