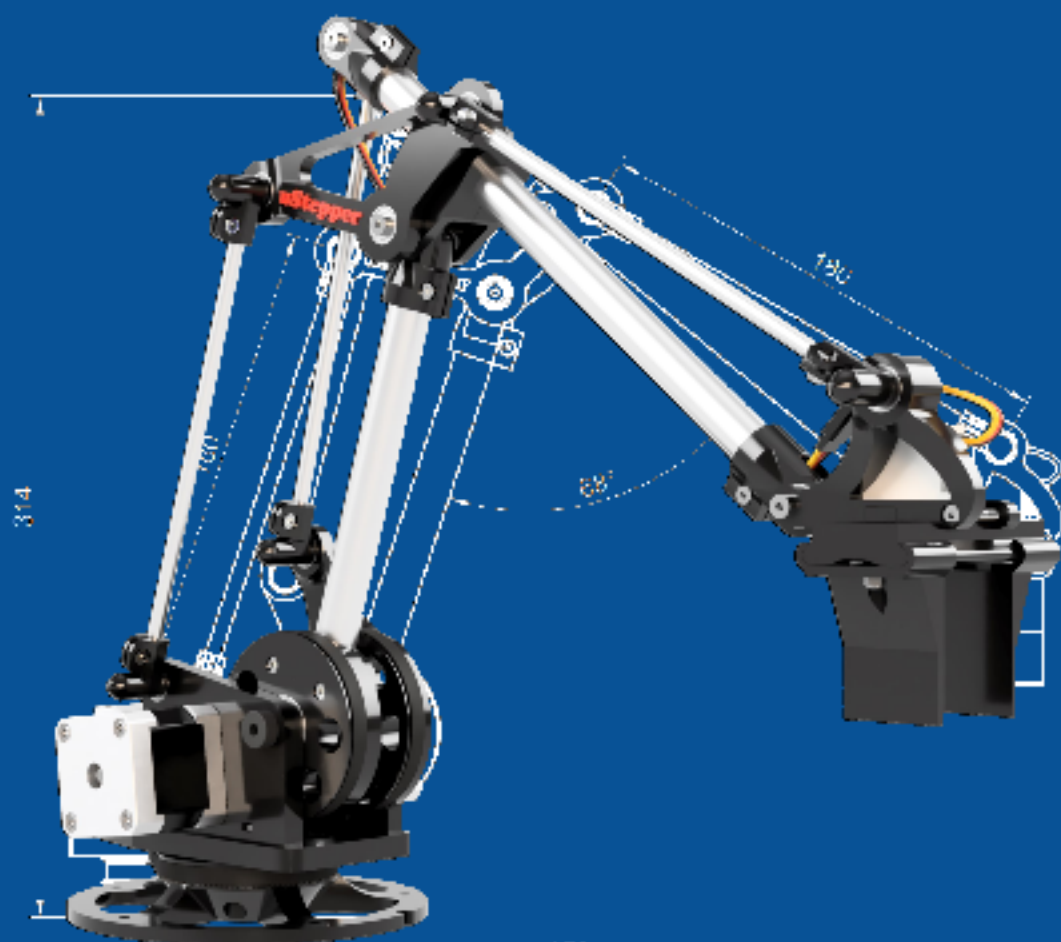
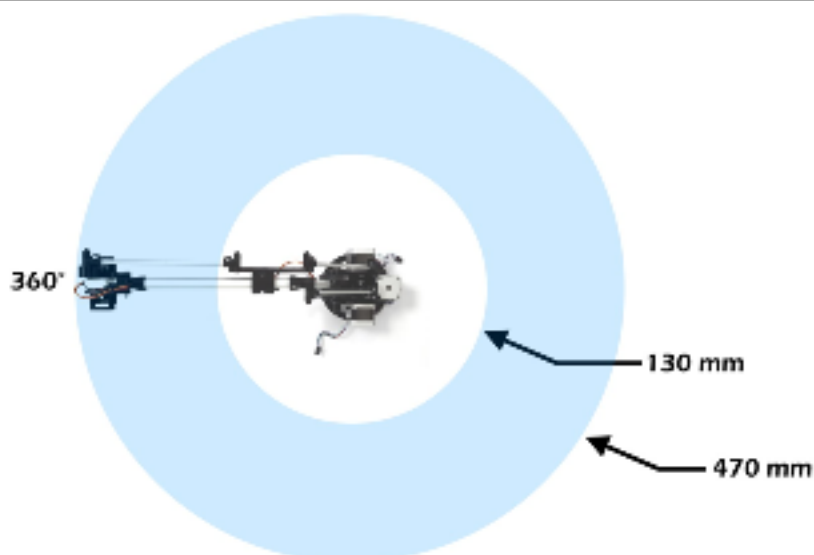


uStepper Robot Arm 4

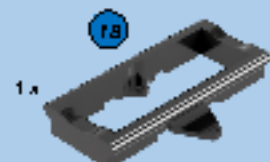


Specifications

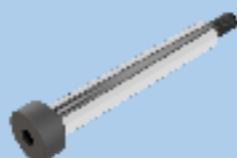


Weight (Including stepper motors)	1460 g
Material	PLA plastic and Aluminum (tubes)
No. of axes	3
Maximum lift (close to base / furthest from base)	700 g / 350 g
Gear ratios (all axes)	5.1:1
Stepper motor torque	0.42 Nm
Mini servo torque	0.25 Nm @ 5 V

Bill Of Materials



Bill Of Materials



1 x shoulder bolt 7379-S-M6-55



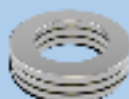
1 x shoulder bolt 7379-S-M6-20



5 x 608ZZ Bearing



12 x 624ZZ Bearing



1 x 51105 Bearing



1 x FS-16M Bearing



3 x GT2 20 Timing gear



3 x 8ft GT2 228



1 x Tube 15 mm x 225 mm



1 x Tube 15 mm x 155 mm



2 x Tube 6 mm x 170 mm
1 x Tube 6 mm x 180 mm



2 x M3 x 6 mm



26 x M3 x 10 mm



7 x M3 x 20 mm



3 x M3 x 25 mm



5 x M4 x 20 mm



3 x M4 x 35 mm



7 x M3 nut



16 x M3 SL nut



8 x M4 SL nut



2 x M6 SL nut



5 x M4 washer



1 x M6 washer



1 x M8 washer

Bill Of Materials



1 x HK151488 DigitalMG Servo



1 x 60 cm Servo Cable



1 x 25T x 20 mm Servo Horn Set

1:1 Nuts & Bolts

M3 x 8 mm



M3 x 10 mm



M3 x 20 mm



M3 x 25 mm



M4 x 20 mm



M4 x 35 mm



M6 x 20 mm



M6 x 55 mm



M3 nut



M4 nut



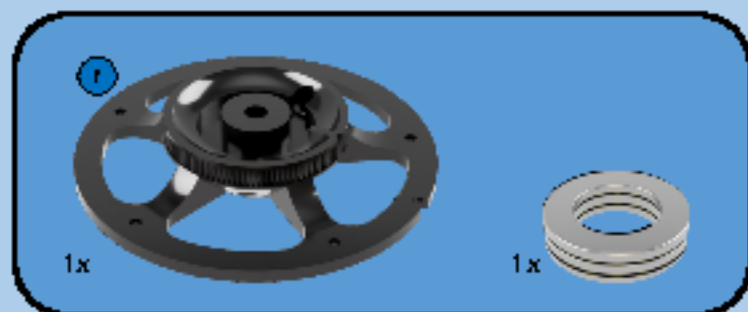
M6 nut



0 1 2 3 4 5 6 7 8 9 10

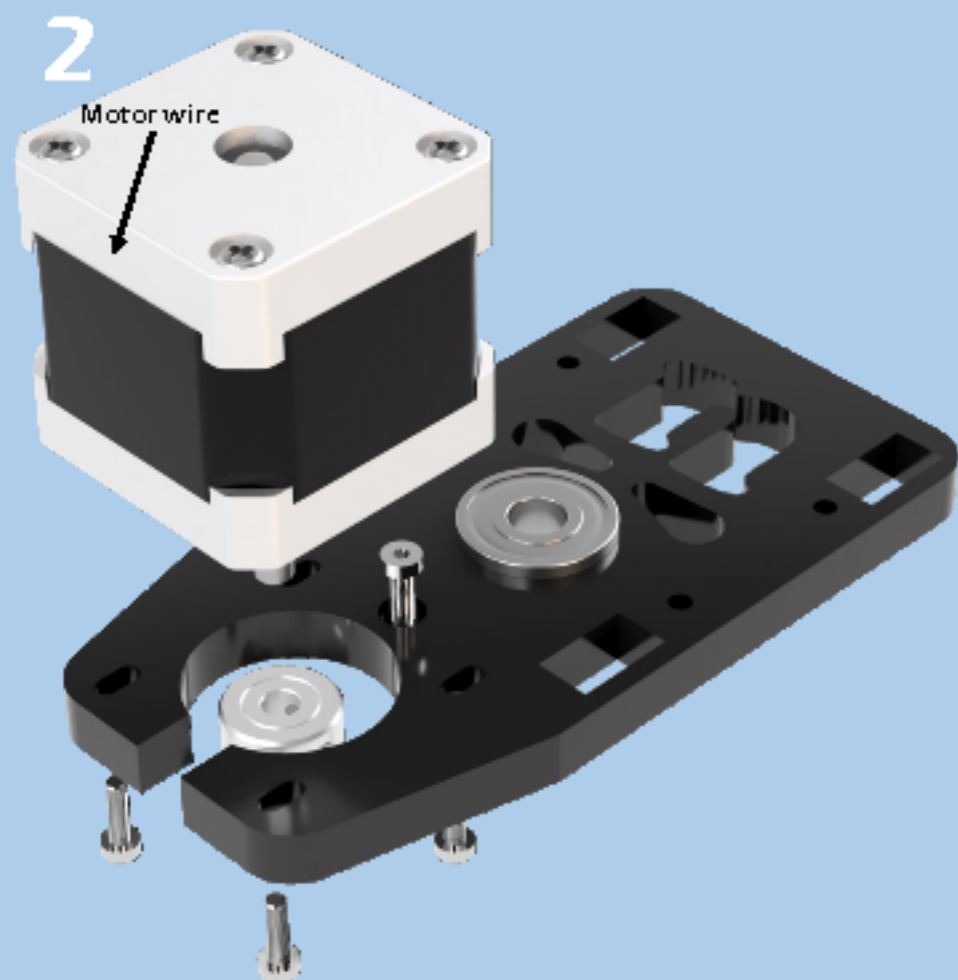
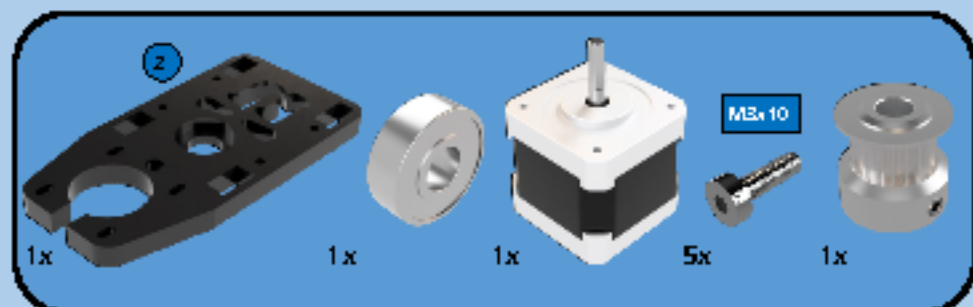


Robot Arm Assembly



1





1x



1x



M6 SL



1x

M8

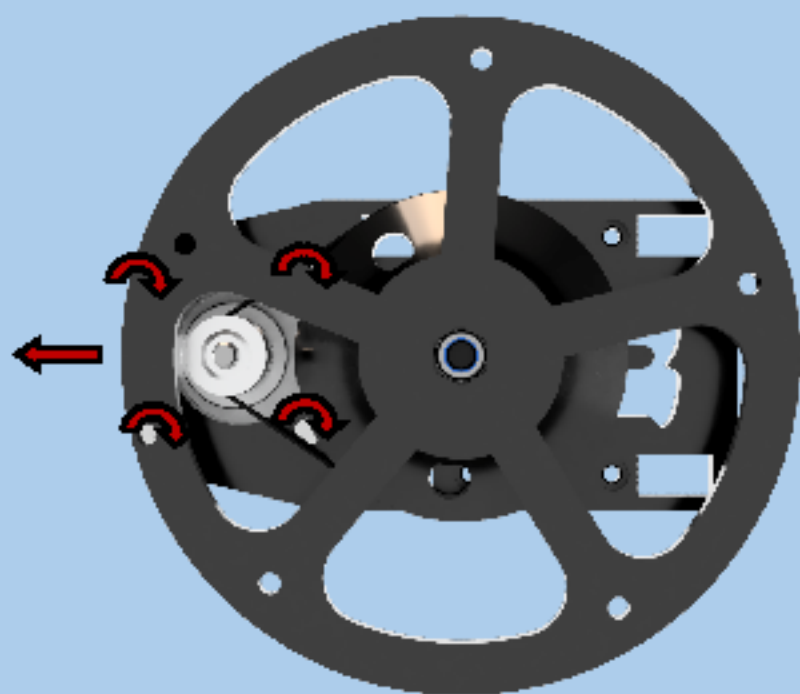
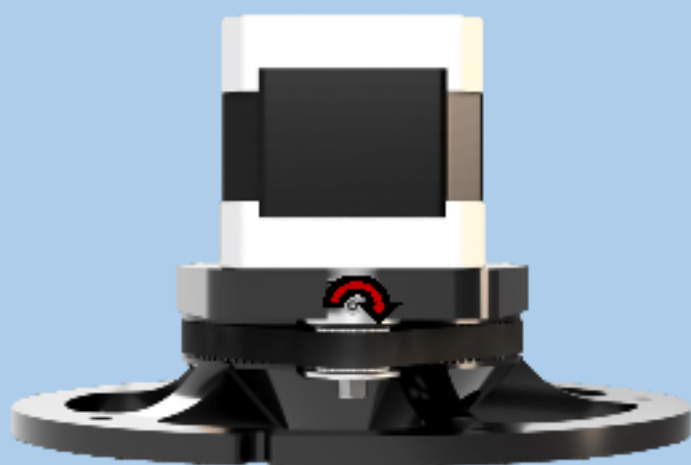


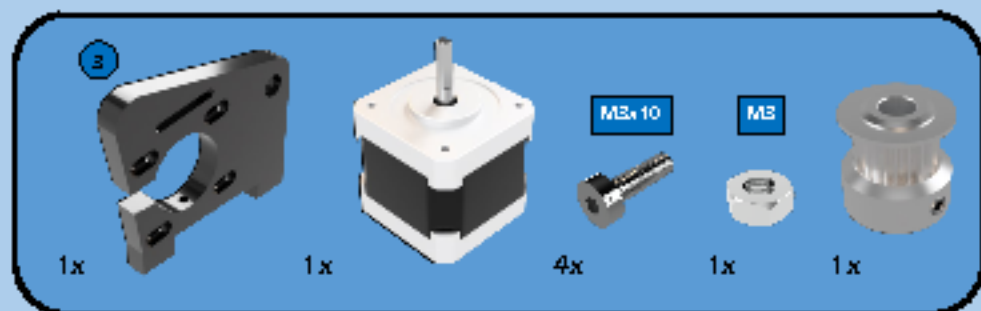
1x

3

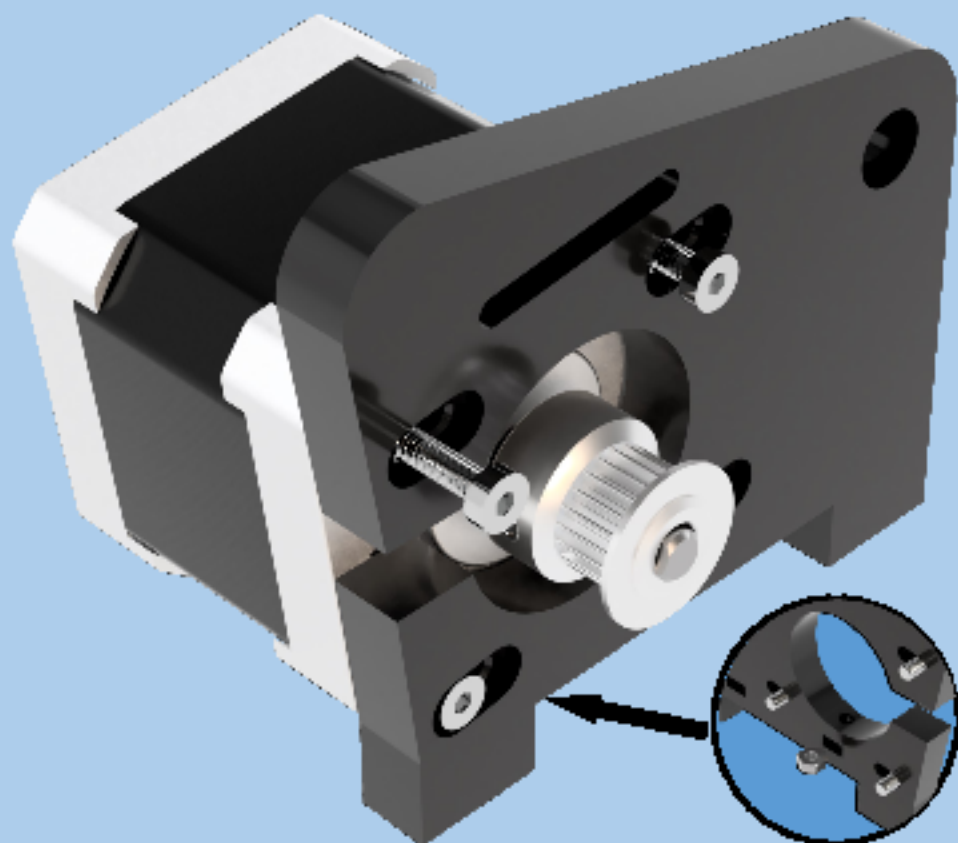


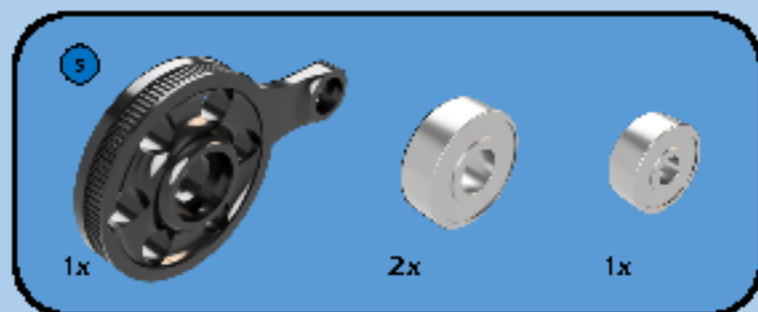
4



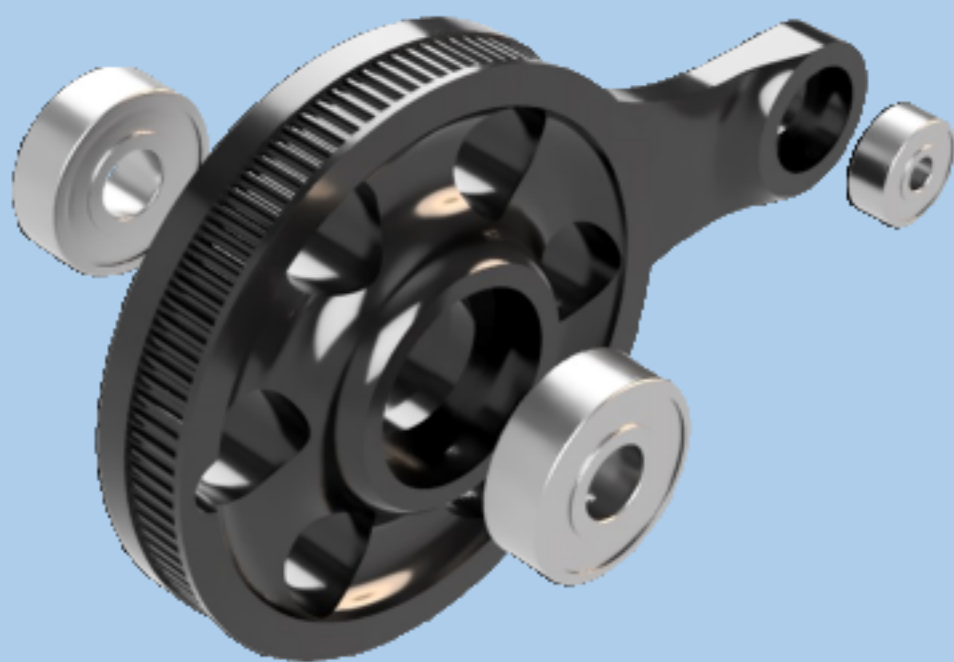


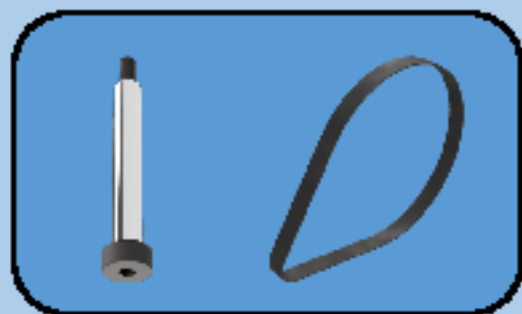
5



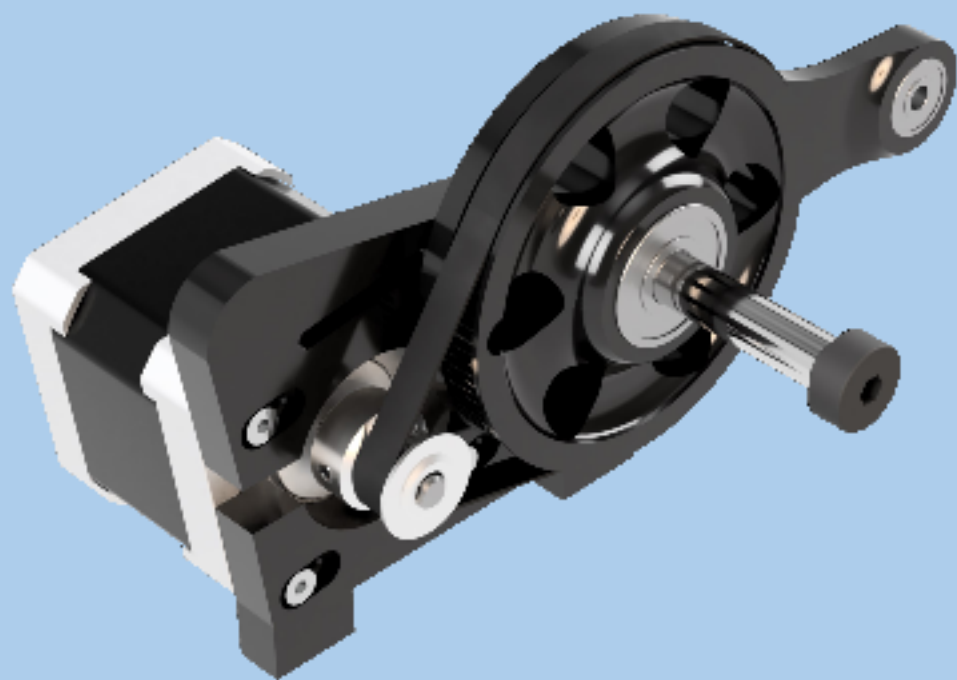


6

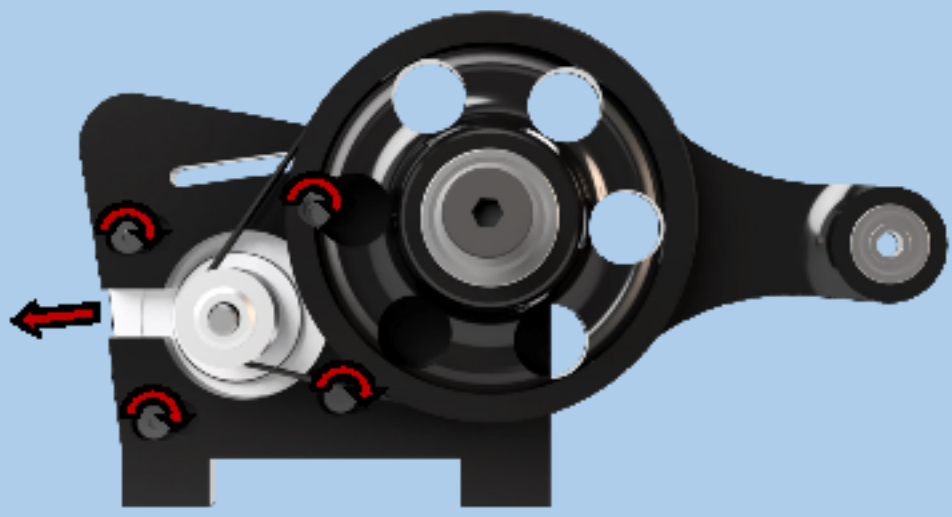
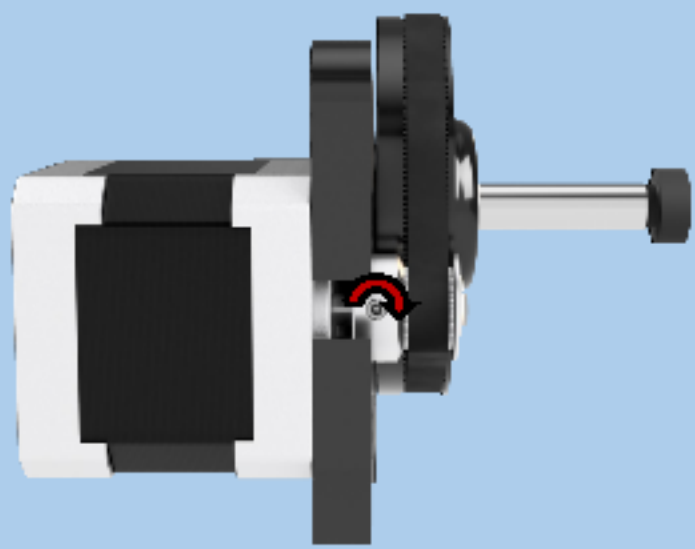


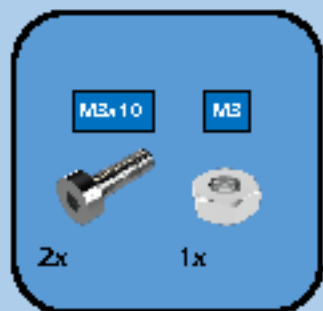


7



8

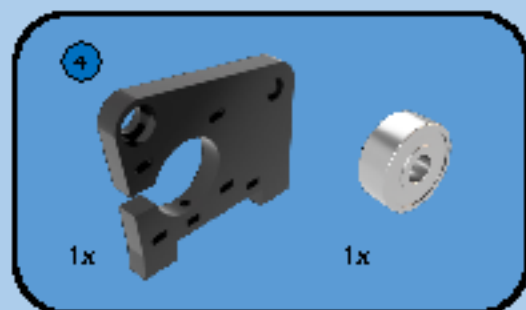




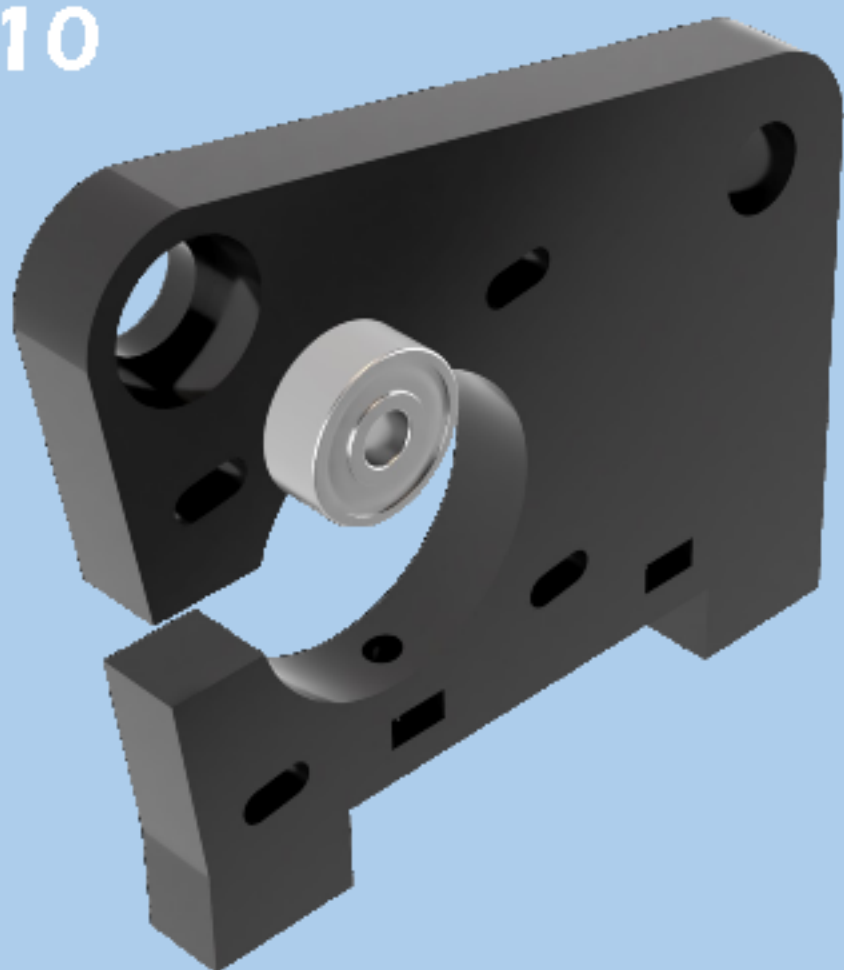
9



Bottom View



10





1x

M3x10



4x



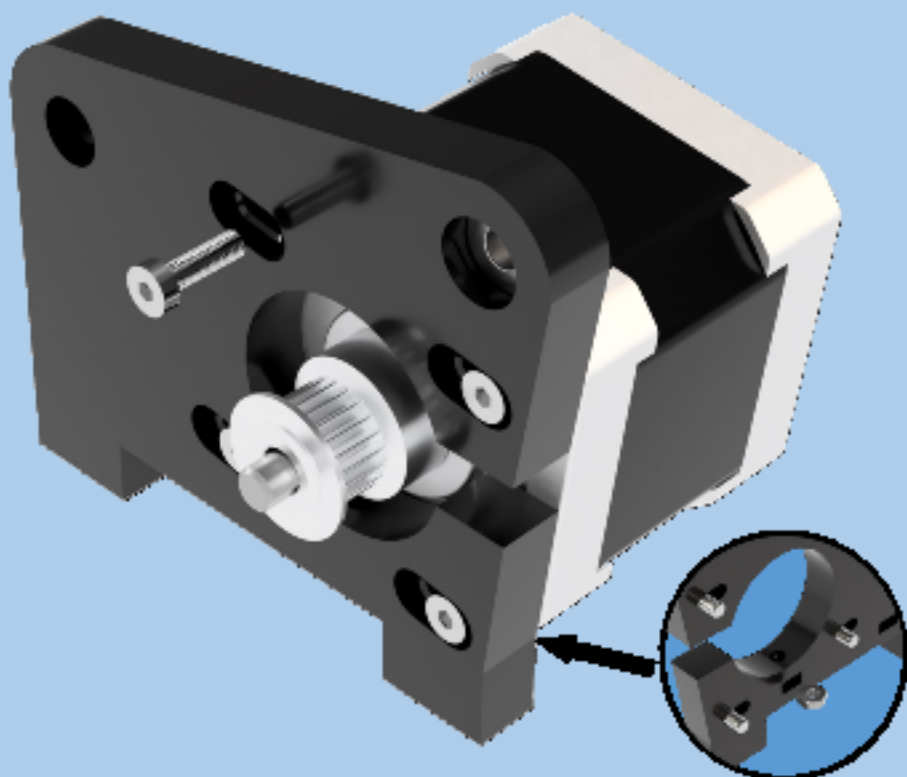
1x

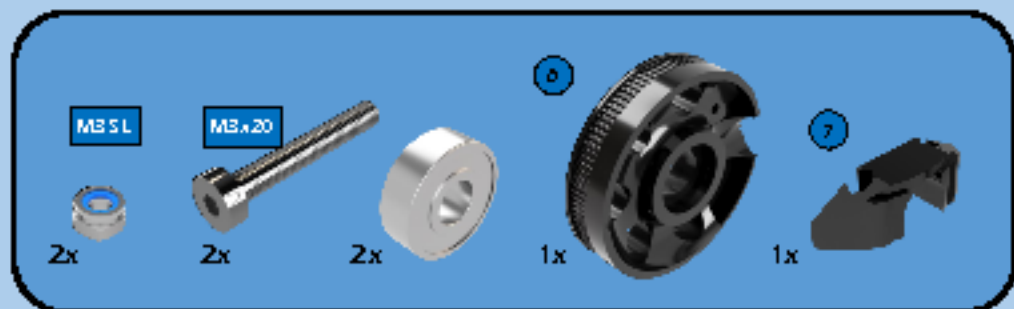
M3



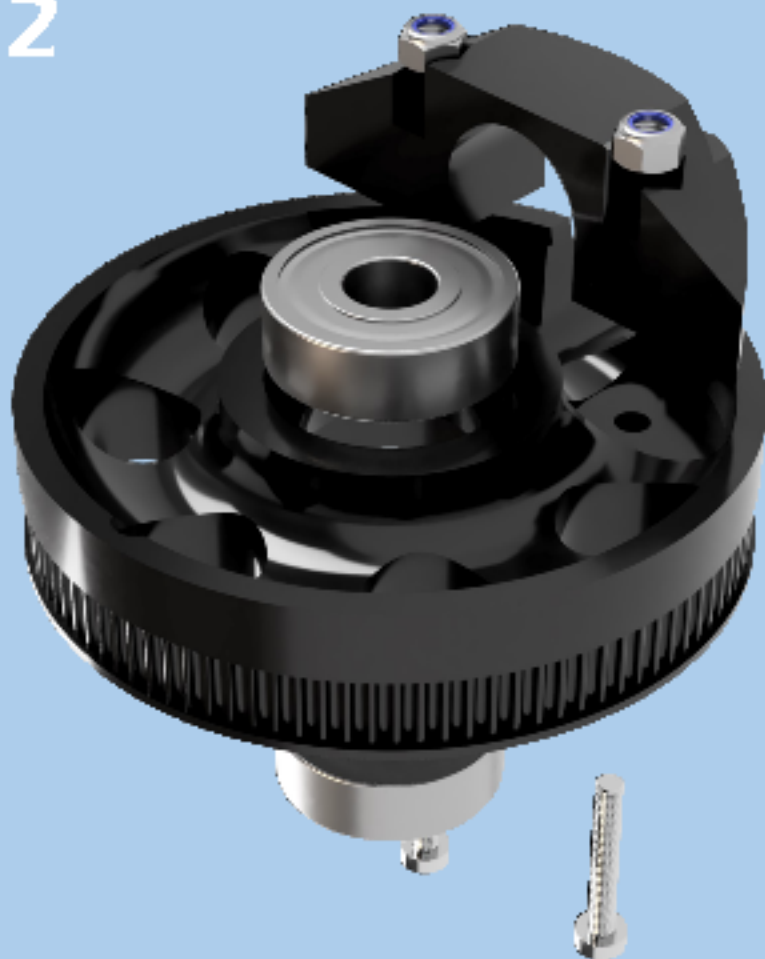
1x

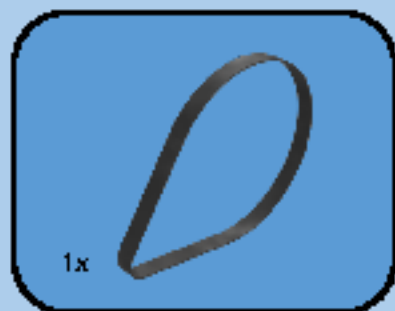
11



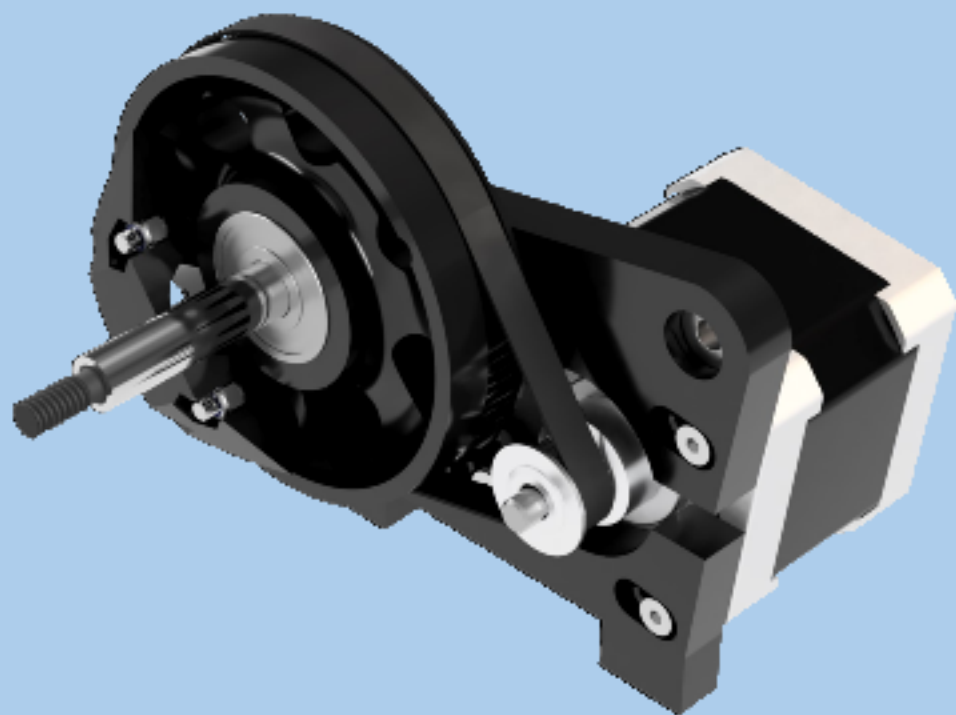


12

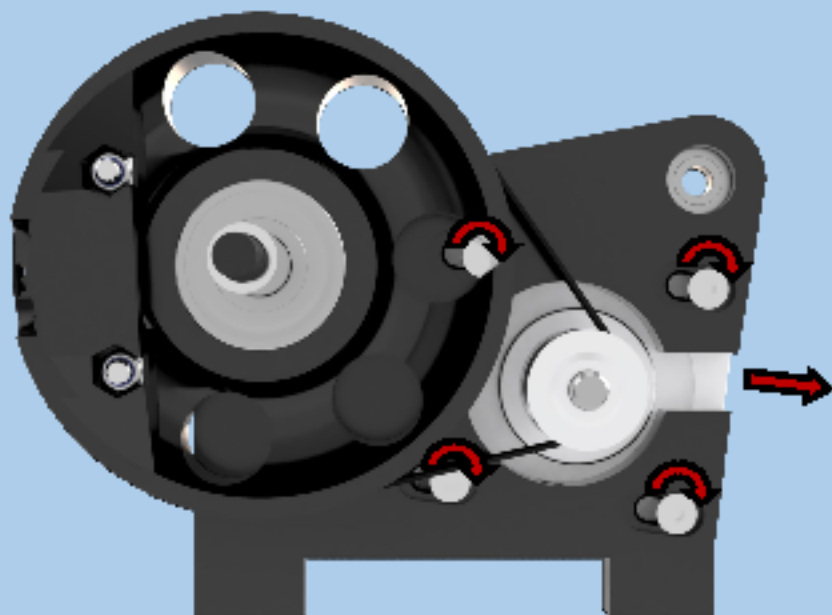
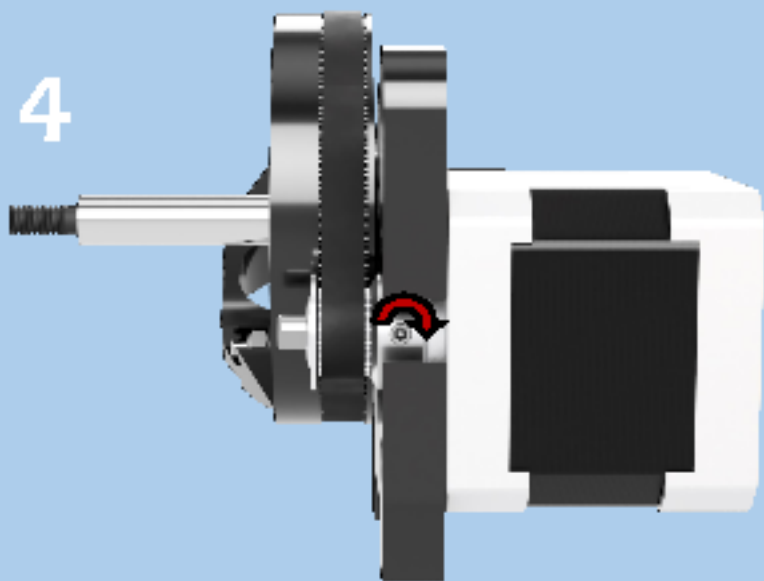


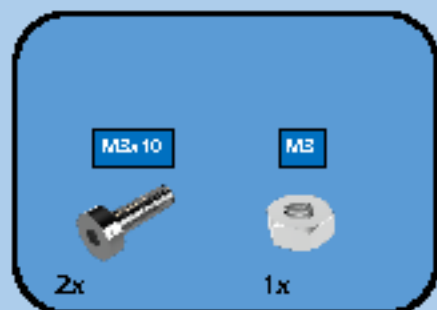


13

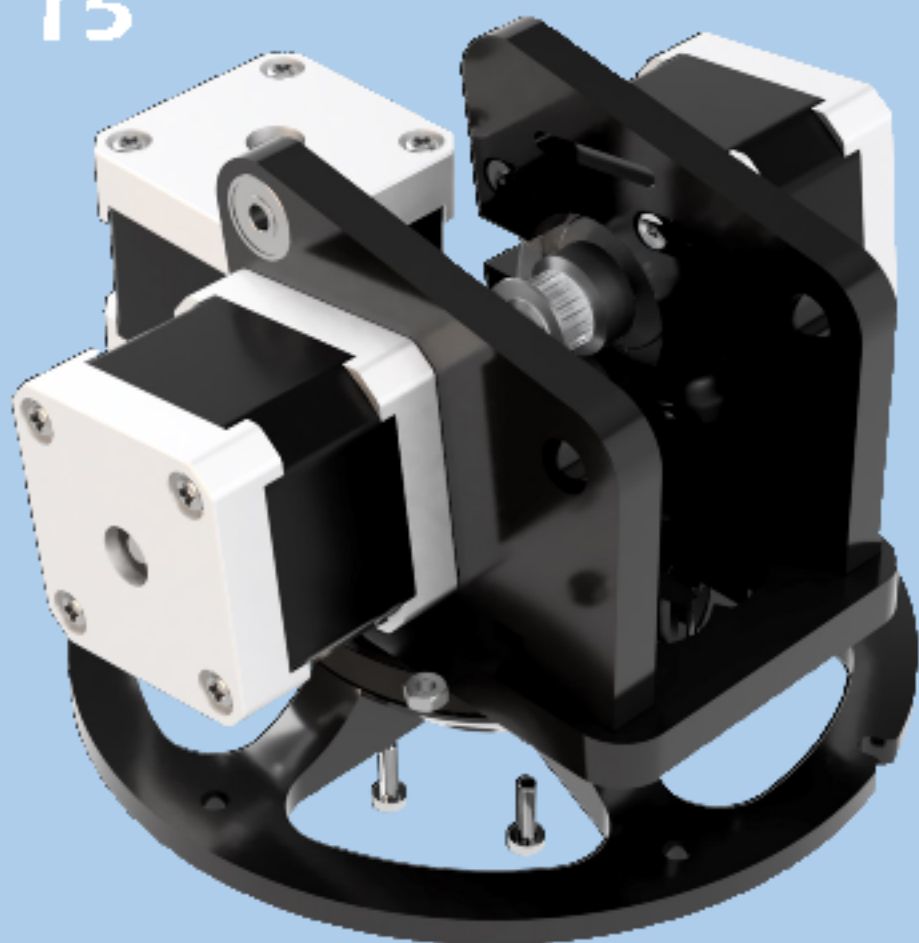


14



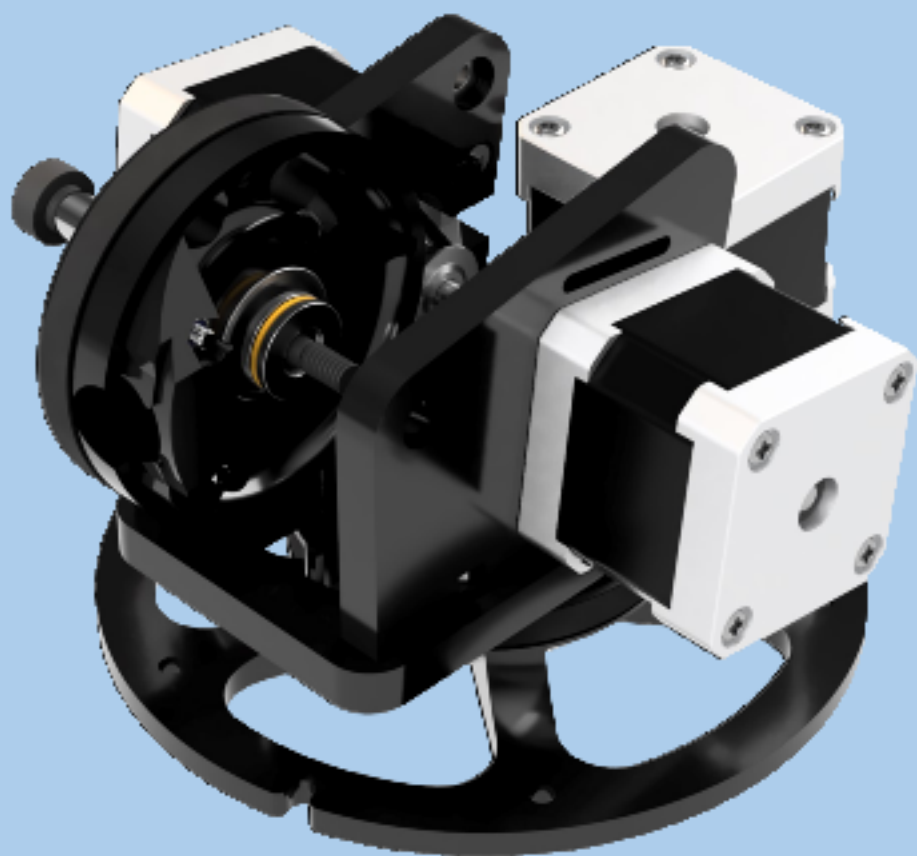


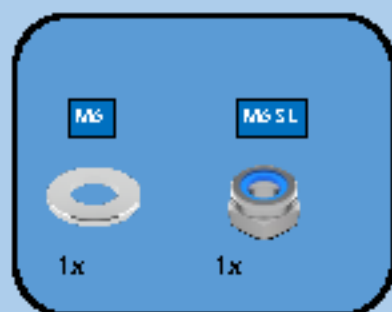
15



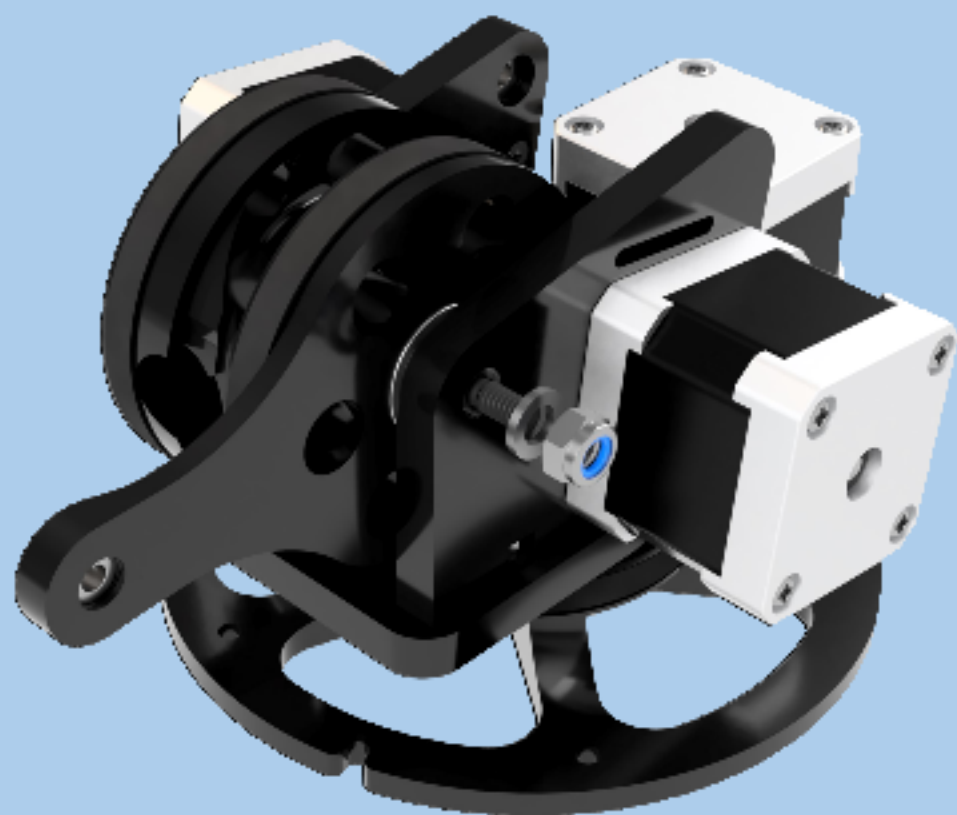


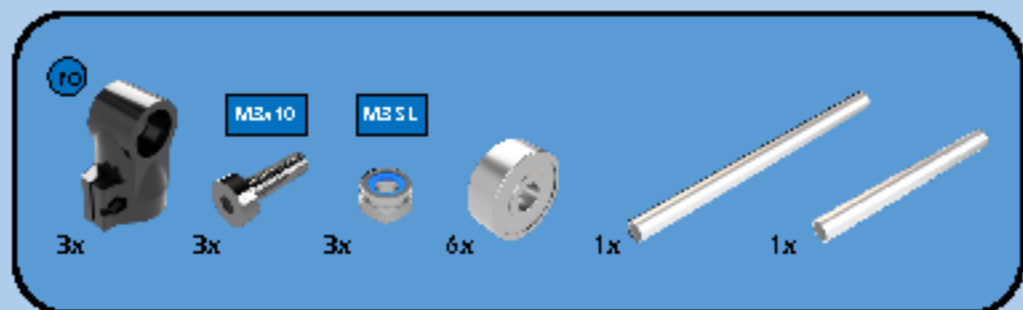
16





17

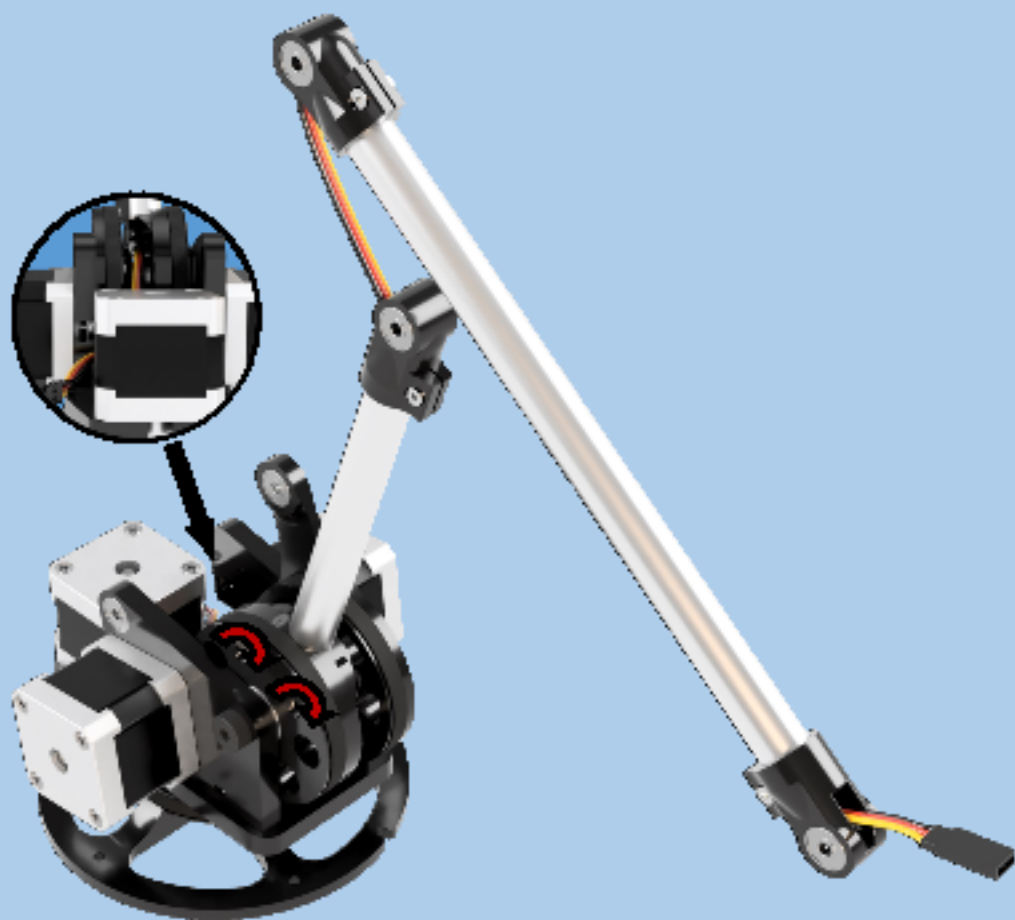




18



19



M3x25



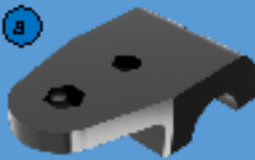
2x

M3



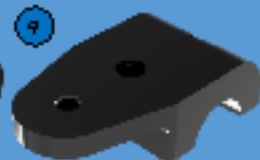
2x

8



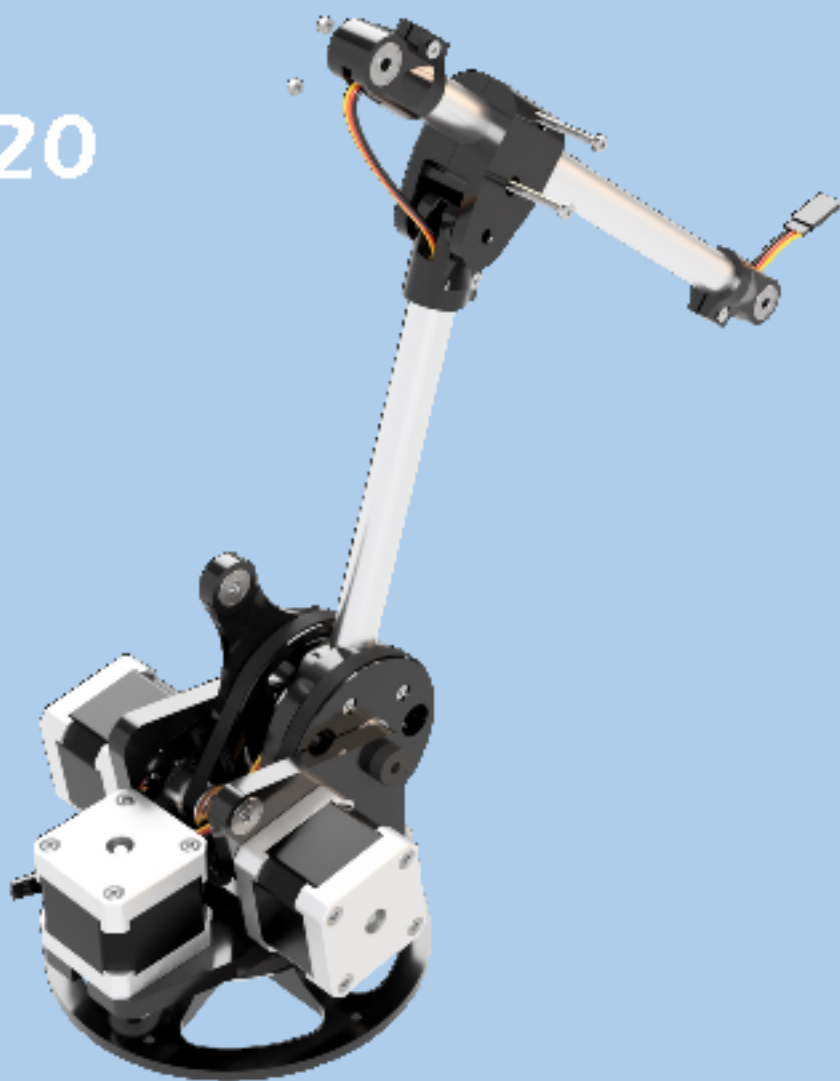
1x

9



1x

20





21



M4x35



1x

M4 SL



1x

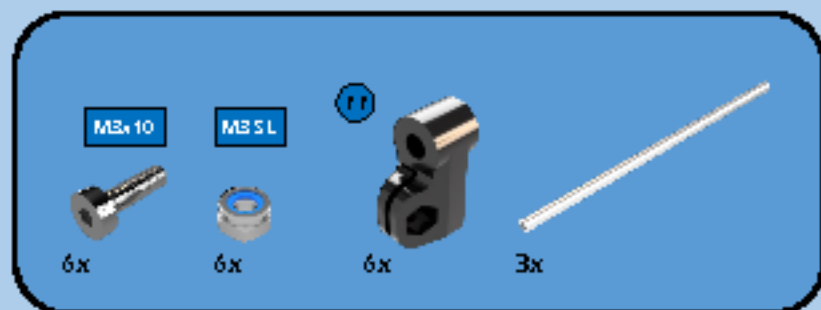
M4



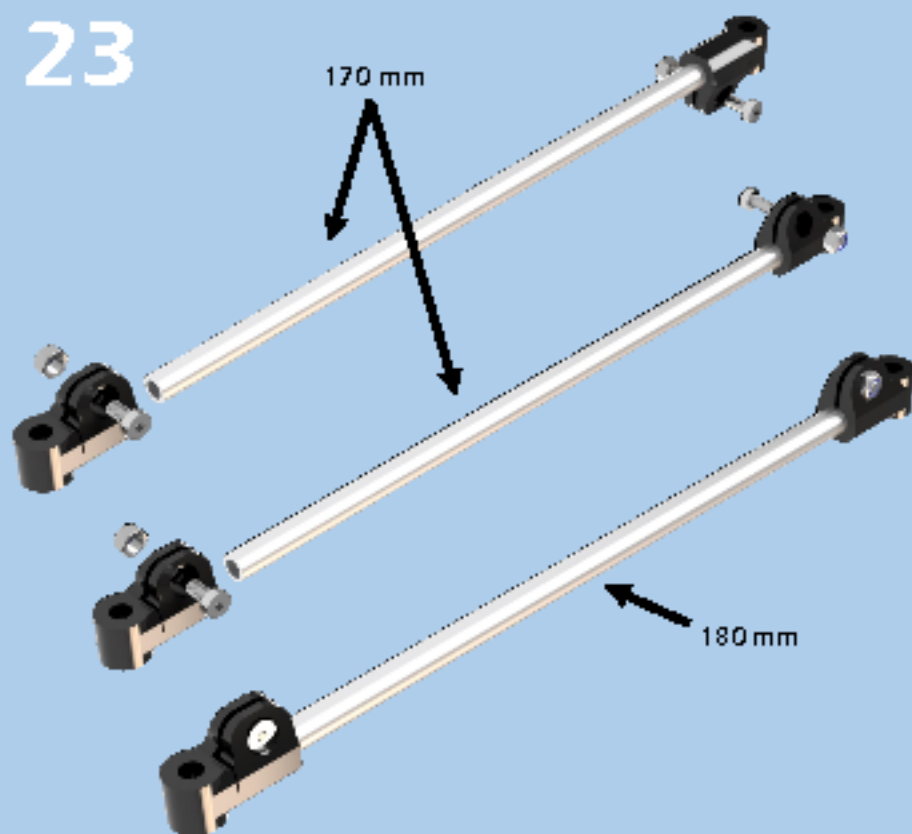
3x

22





23



M4x35



1x

M4x20



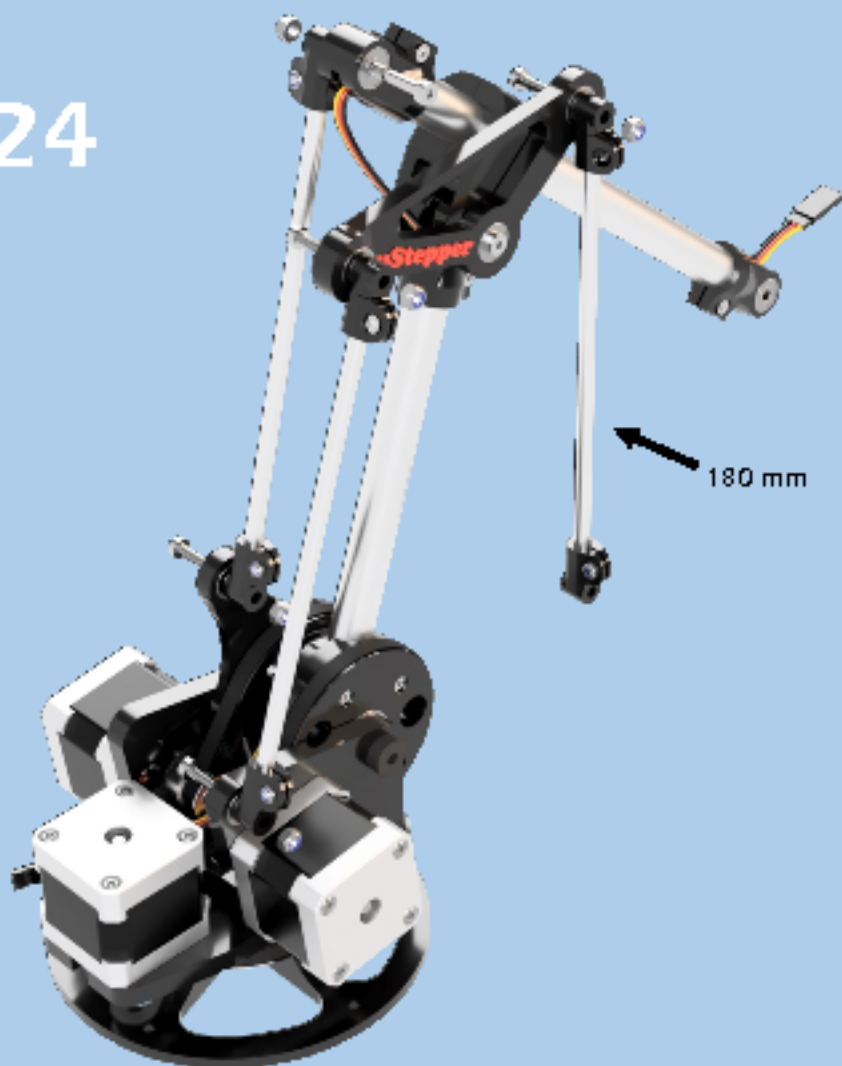
4x

M4 SL



5x

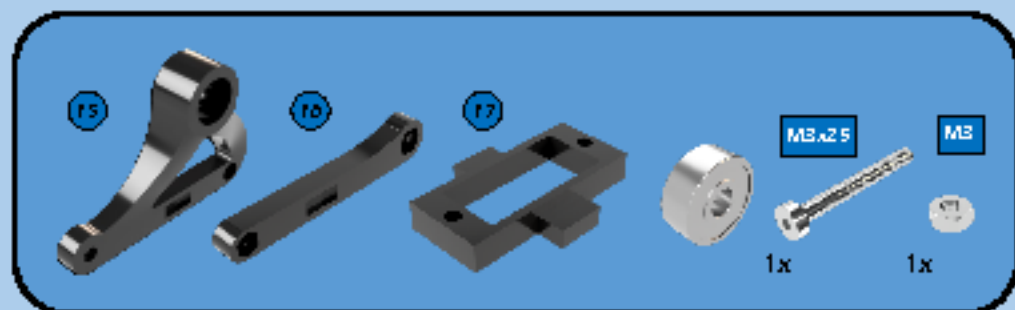
24



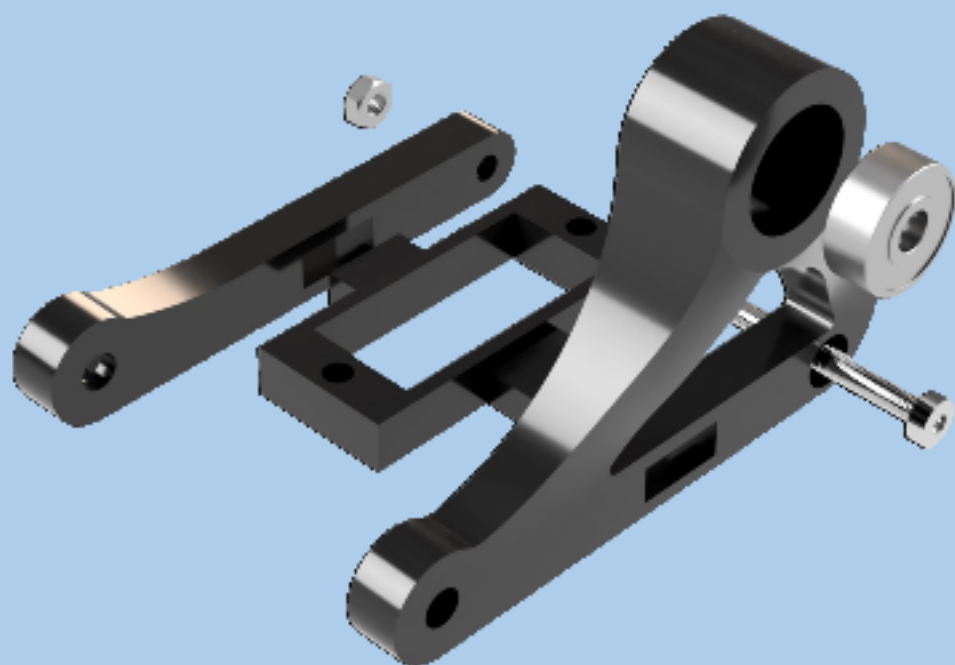
180 mm

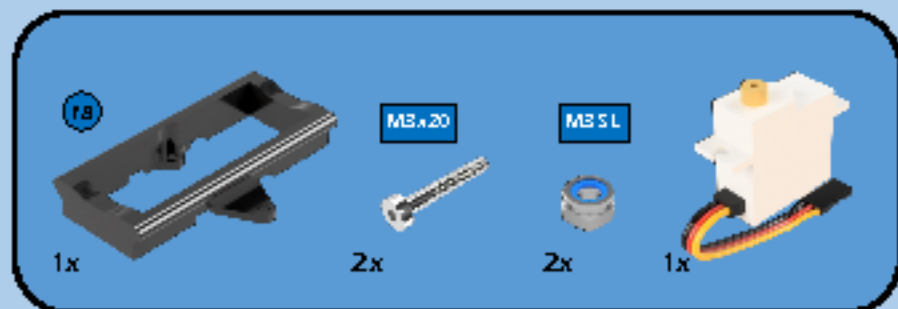


Robot Arm Gripper Assembly

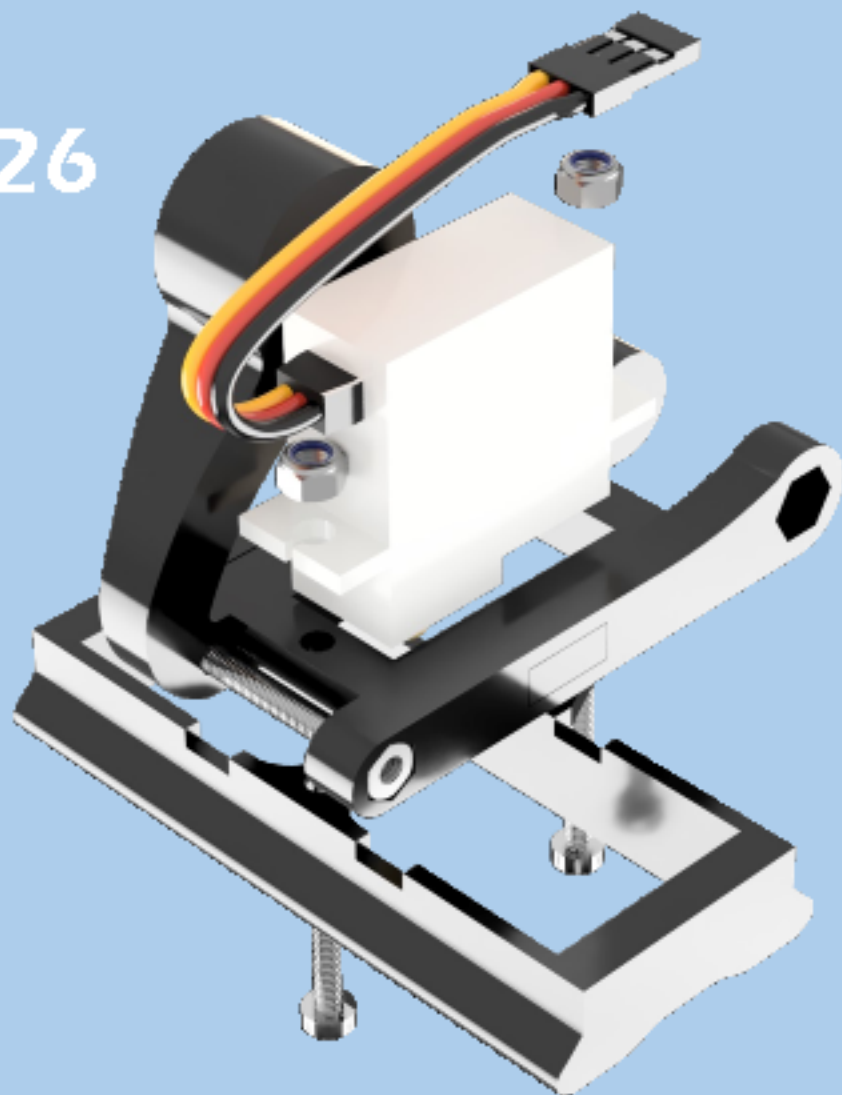


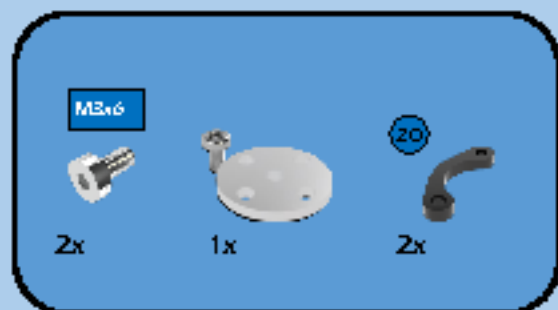
25



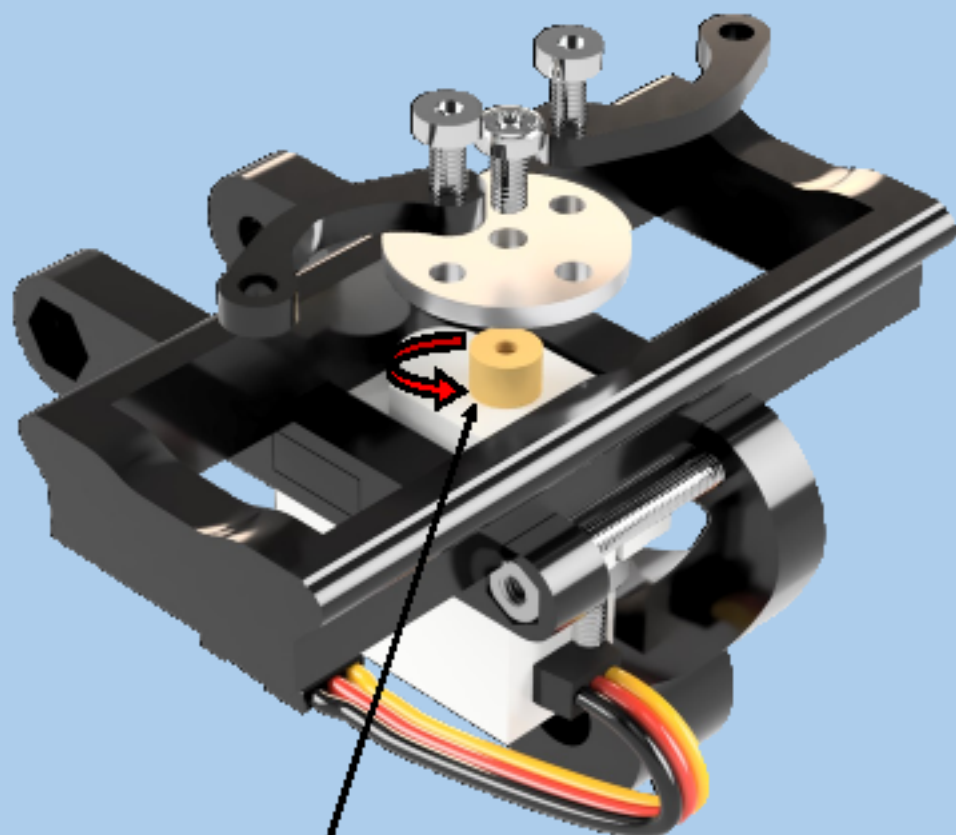


26





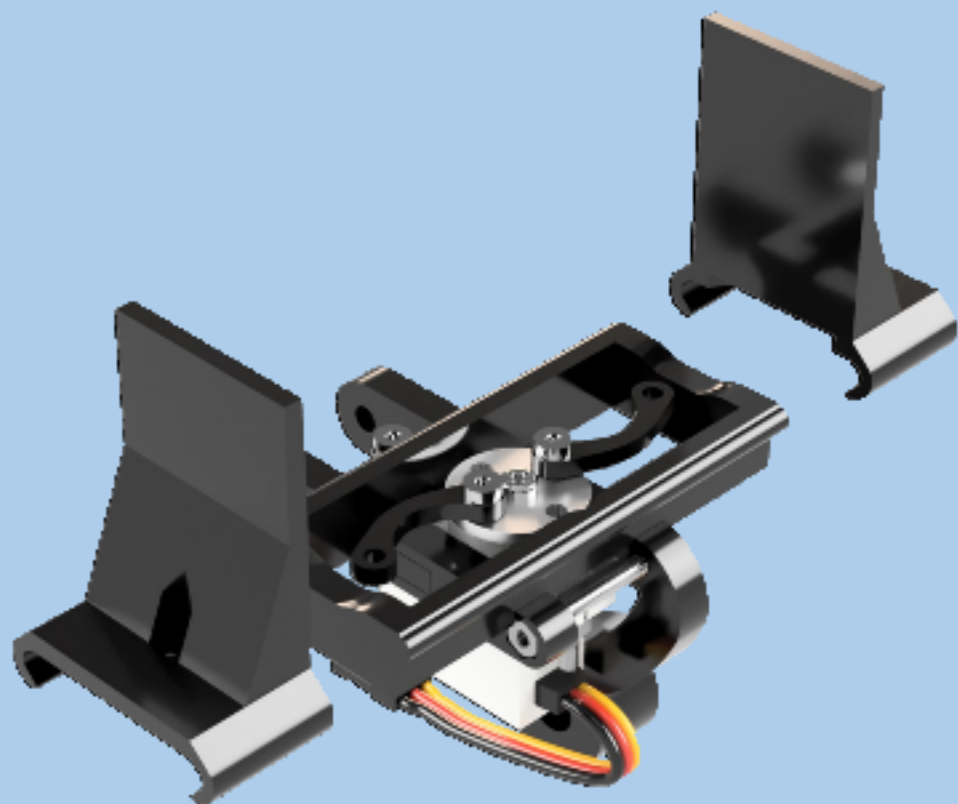
27

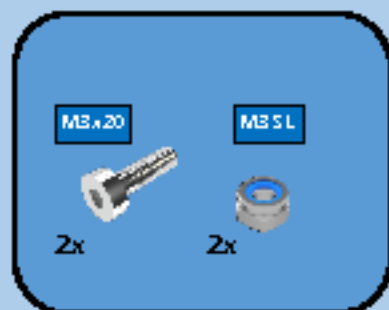


Make sure that the servo is at the furthest counter clockwise position

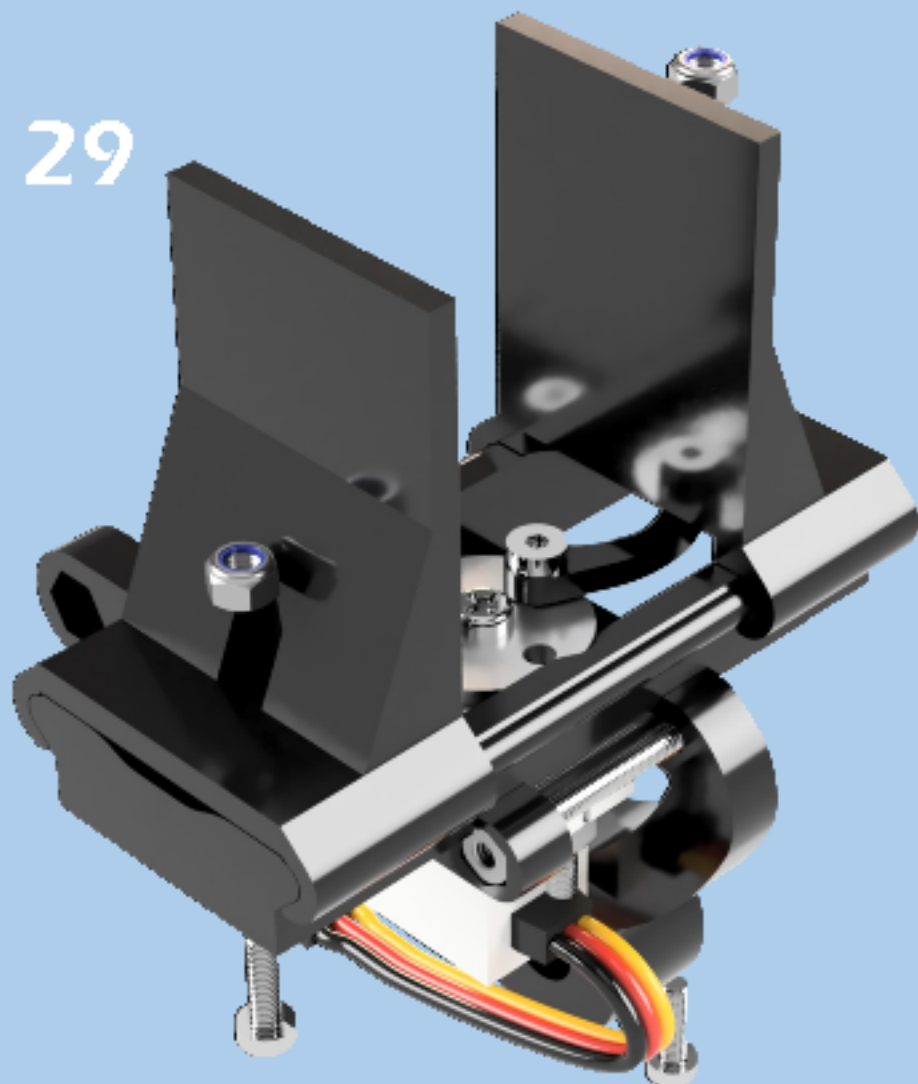


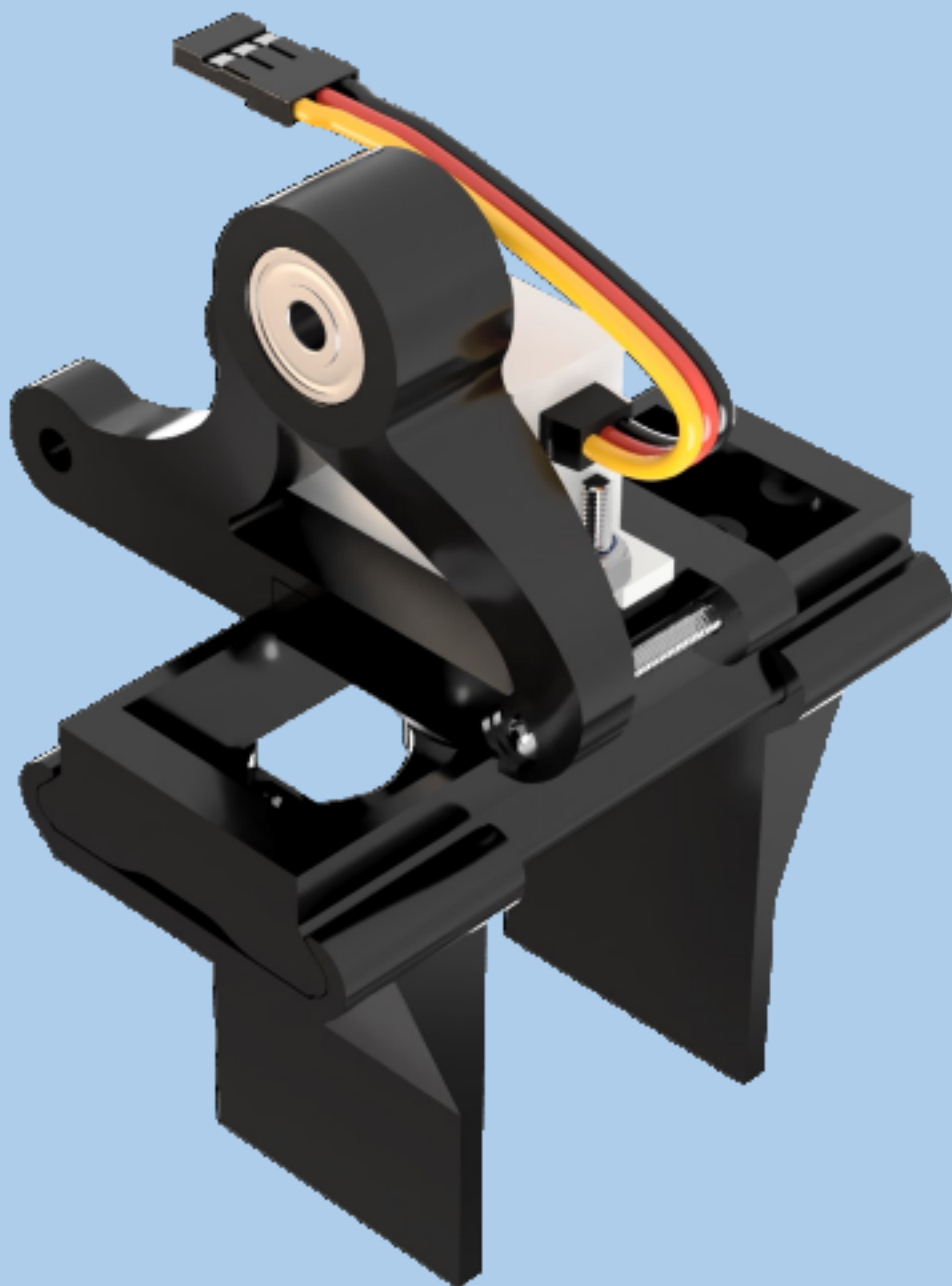
28





29





Robot Arm Gripper Mounting

M4x35



1x

M4x20



1x

M4 SL



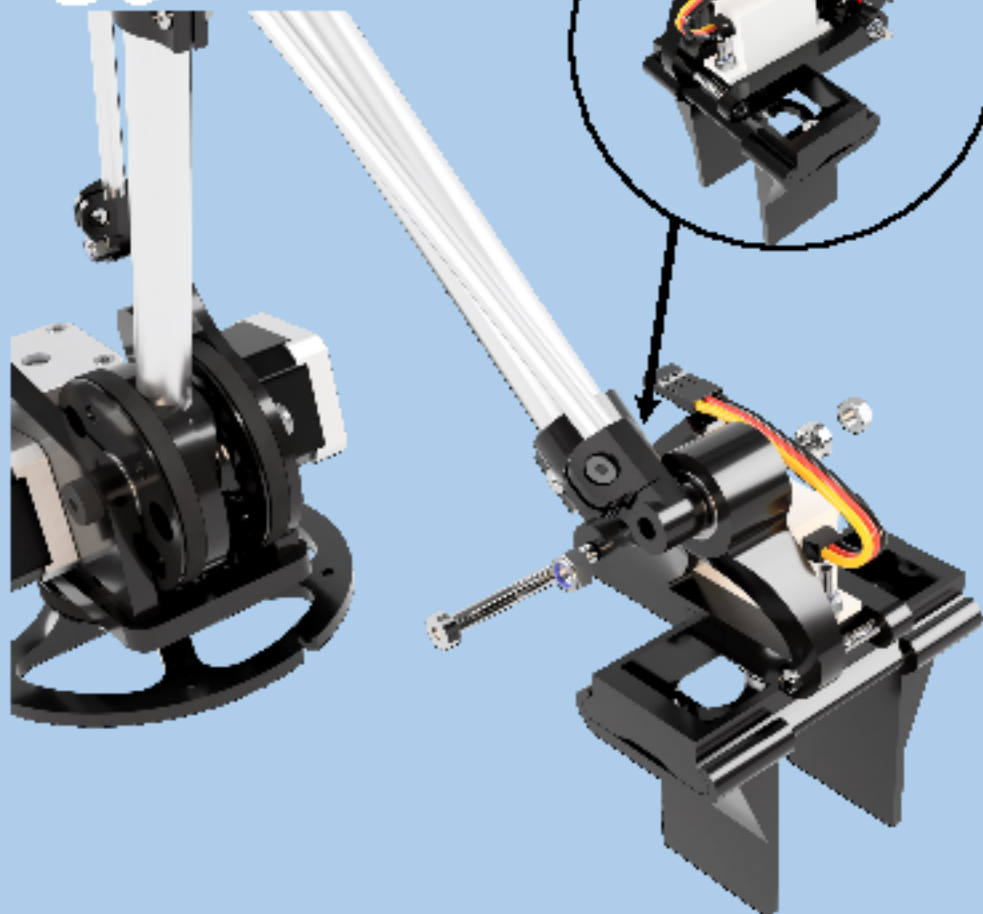
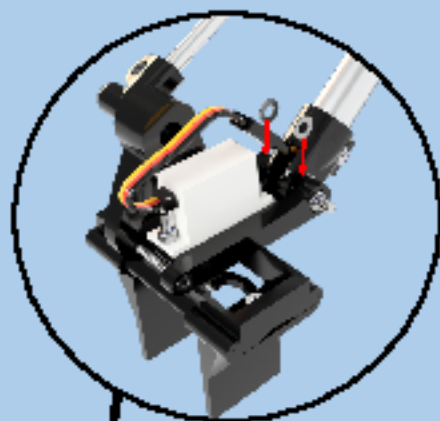
2x

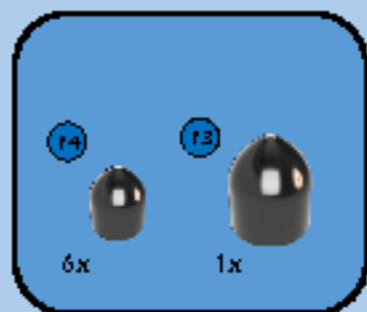
M4



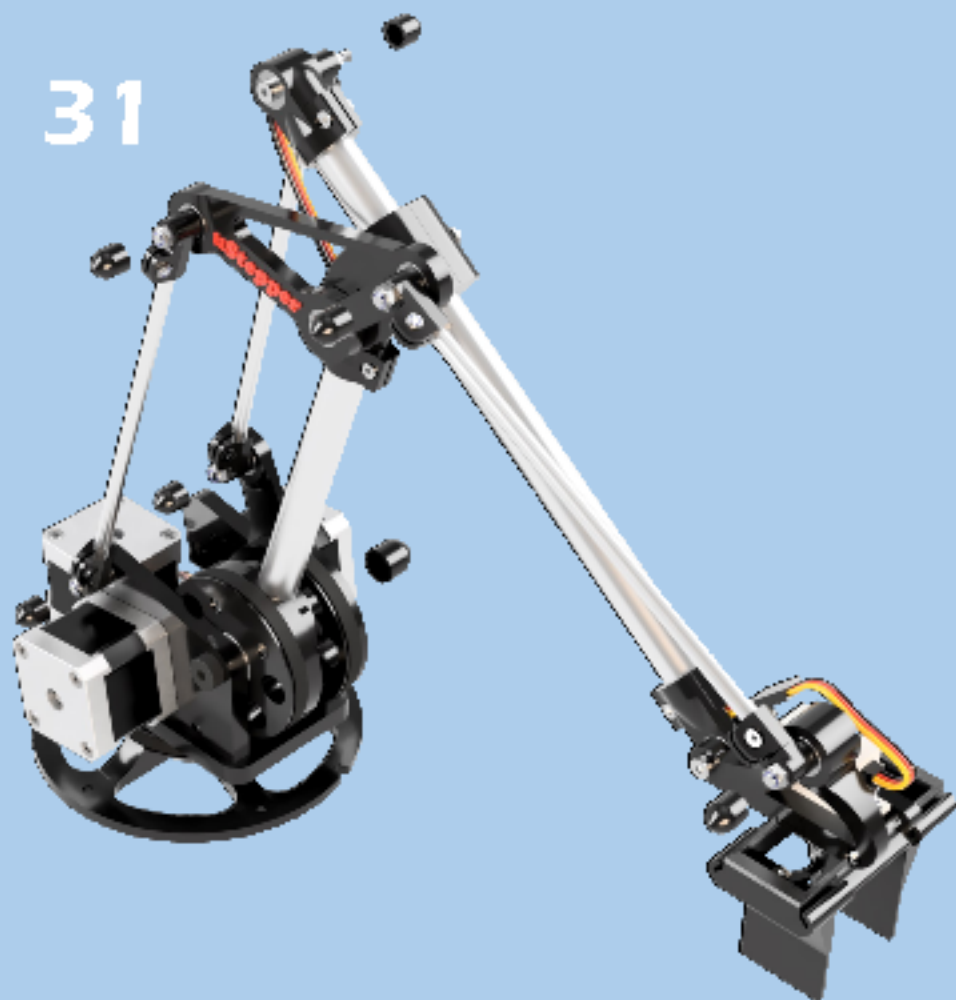
2x

30





31



M3x20



1x

M3 SL



1x

32



Disclaimer

1 Disclaimer and Limitation of Liability

1.1 uShapeper ApS and/or ON Development IVS (or any individual affiliated with either of the two companies) can not be held responsible for any damage inflicted upon mounting or interfacing with uShapeper products. This also includes damage to computer motors (both electrical and mechanical) or any other 3rd party hardware connected to or interfacing with any uShapeper products. Most uShapeper motor cases are made of aluminum, and care must be taken when preparing the mounting for uShapeper.

1.2 uShapeper ApS and/or ON Development IVS (or any individual affiliated with either of the two companies) can not be held responsible for any damage inflicted upon assembly of the uShapeper robot arm. This includes damage to 3D printed parts, which must be considered to be of prototype quality by compared to injection moulded parts. Care must be taken while assembling 3D printed parts, and use of excessive force may lead to damage of the parts.

1.3 By using the uShapeper products (including, but not limited to, hardware and software) you acknowledge that uShapeper ApS and/or ON Development IVS (or any individual affiliated with either of the two companies) can not be held responsible for any personal (injury and/or) damage to any 3rd party hardware that may occur when using the uShapeper products.

1.4 To the extent permitted by law, uShapeper ApS and/or ON Development IVS will not be liable for any indirect or consequential loss or damage of any kind, (including without limitation loss of business, opportunity, data, profits) arising out of or in connection with the use of any products (including, but not limited to, hardware and software), developed, produced or sold by uShapeper ApS and/or ON Development IVS (or any individual affiliated with either of the two companies).

1.5 Nothing in these Terms and Conditions shall be construed as to hold uShapeper ApS and/or ON Development IVS liable for death or personal injury as a result of the negligence of uShapeper ApS and/or ON Development IVS or that of its employees or agents.

2 Indemnity

2.1 You agree to indemnify and hold uShapeper ApS and/or ON Development IVS and its employees and agents harmless from and against all liability, legal fees, damages, losses, costs and other expenses in relation to any claims or actions brought against uShapeper ApS and/or ON Development IVS arising out of any breach by you of these Terms and Conditions or other liability arising out of your use of this Website.

2.2 You agree to indemnify and hold uShapeper ApS and/or ON Development IVS and its employees and agents harmless from and against all liability, legal fees, damages, losses, costs and other expenses in relation to any claims or actions brought against uShapeper ApS and/or ON Development IVS arising out of any breach by you of these Terms and Conditions or other liability arising out of your use of products (including but not limited to, hardware and software) developed, produced or sold by uShapeper ApS and/or ON Development IVS (or any individual affiliated with either of the two companies).

3 Severance

If any of these Terms and Conditions should be determined to be invalid, illegal or unenforceable for any reason by any court of competent jurisdiction then such Term or Condition shall be severed and the remaining Terms and Conditions shall survive and remain in full force and effect and continue to be binding and enforceable.

