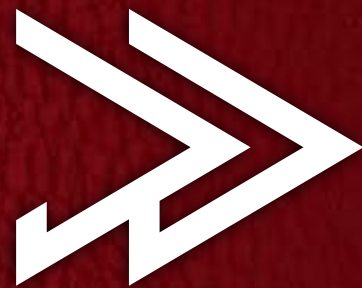


INSTRUCTIONS

57.9cm / 38.6cm

Z PROTO

PAPERCRAFT



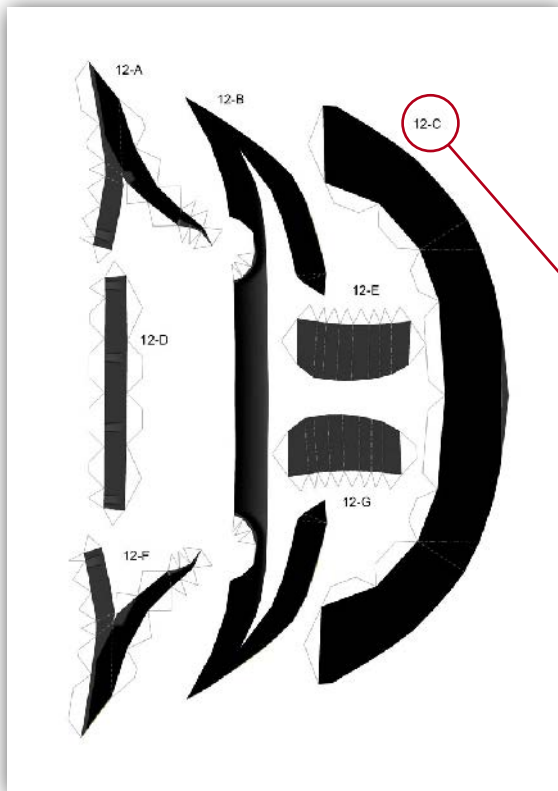
2 SIZES

57.9cm Model

27 pages
145 parts

38.6cm Model

13 pages
129 parts



TEMPLATES

- Mountain fold line ^
- Valley fold line v
- Cut line

12-C Templates reference the page number and letter of each part. In this case, **12-C** is Templates page **12**, part **C**.

INSTRUCTIONS VIDEO

You can find an assembly help video in the following link:
<https://youtu.be/fLw8wSvSILg>

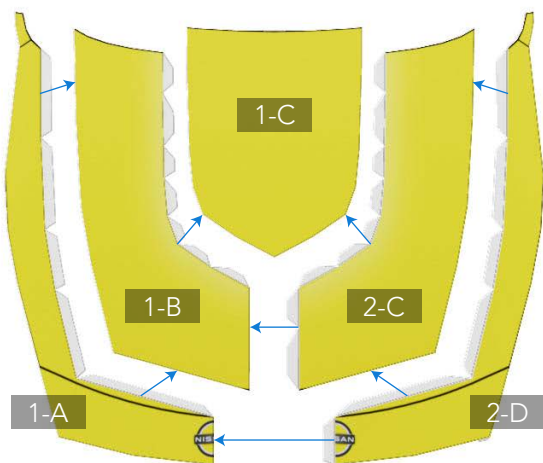
If you enjoyed the **Z PROTO** papercraft please support my efforts by making a donation of any amount at

<https://sergiodanidiaz.wixsite.com/ddiaz-paper-design/>

Thank you!

Z PROTO INSTRUCTIONS

1



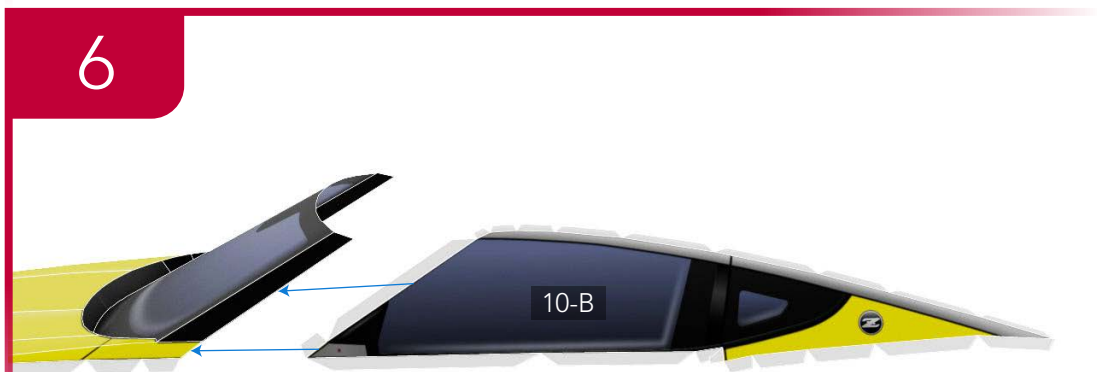
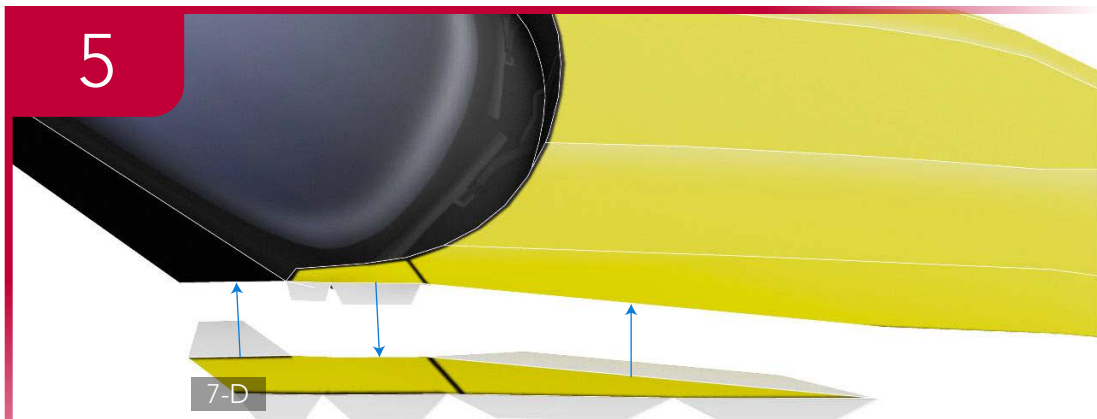
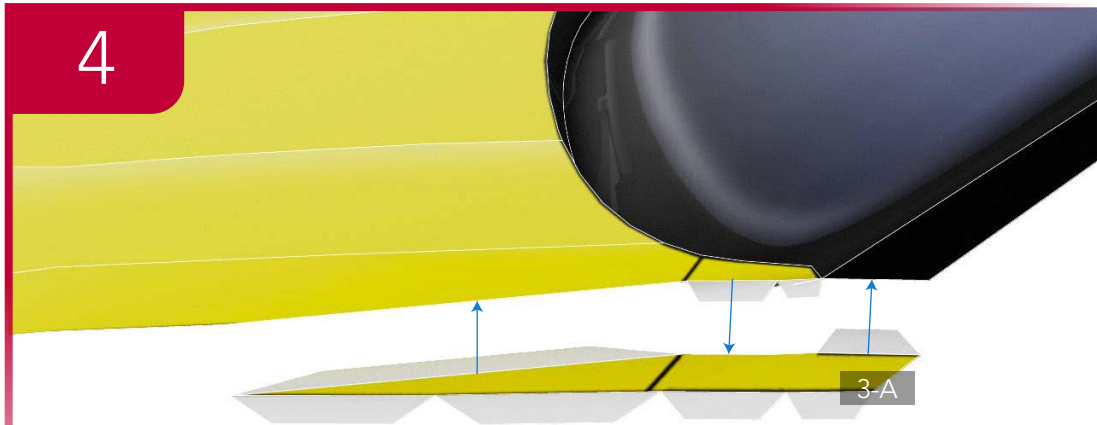
2



3



Z PROTO INSTRUCTIONS

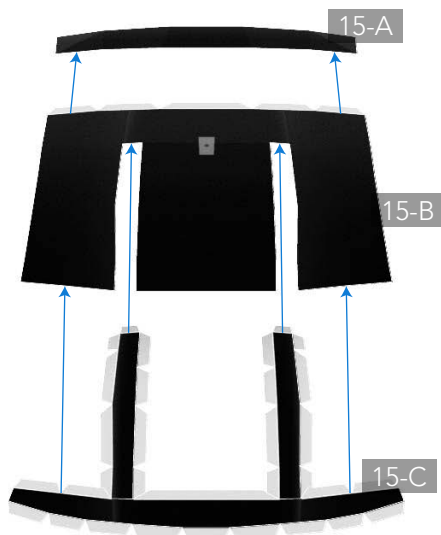


Z PROTO INSTRUCTIONS

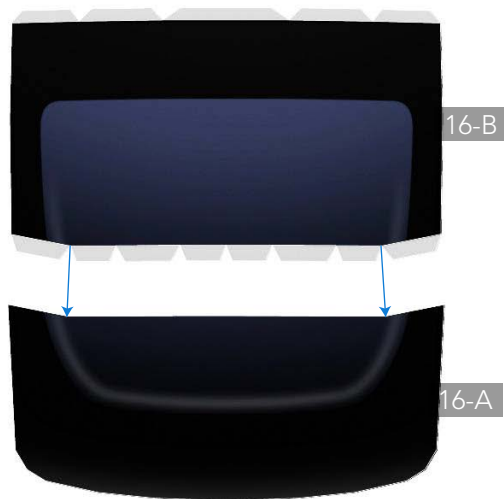
7



8

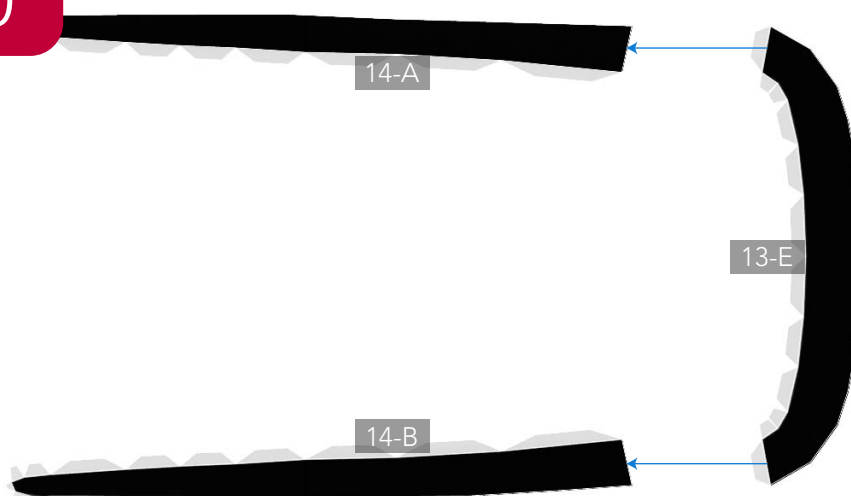


9

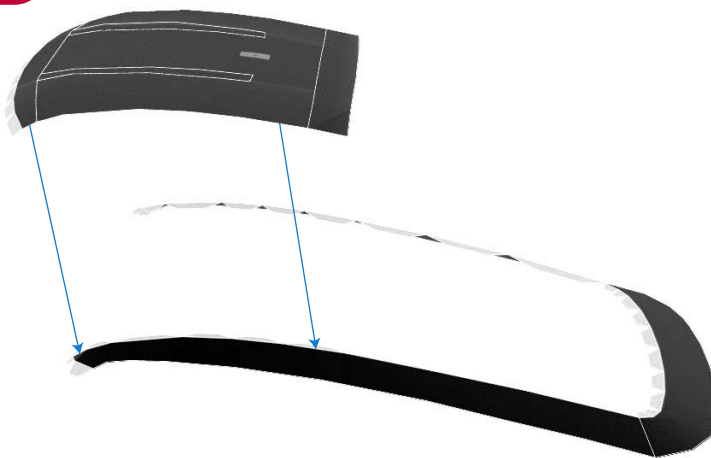


Z PROTO INSTRUCTIONS

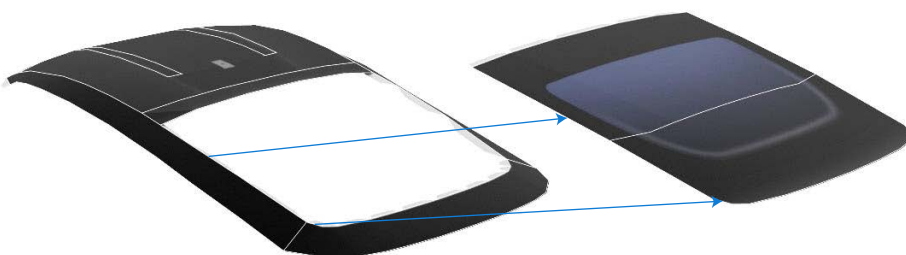
10



11

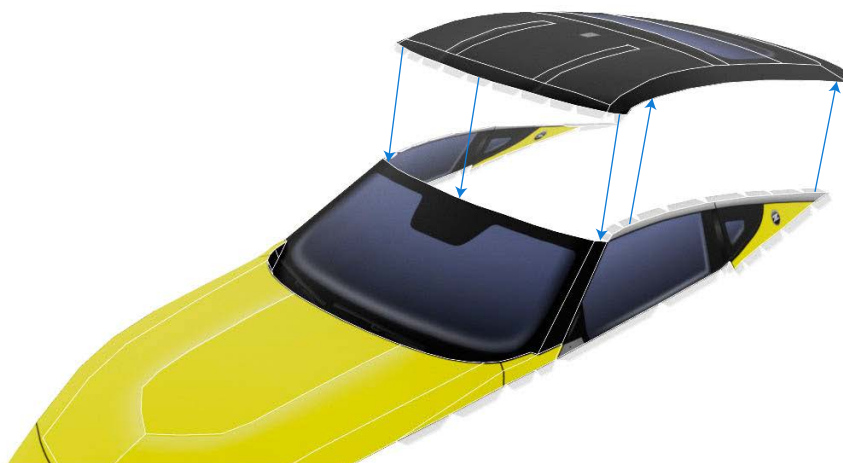


12

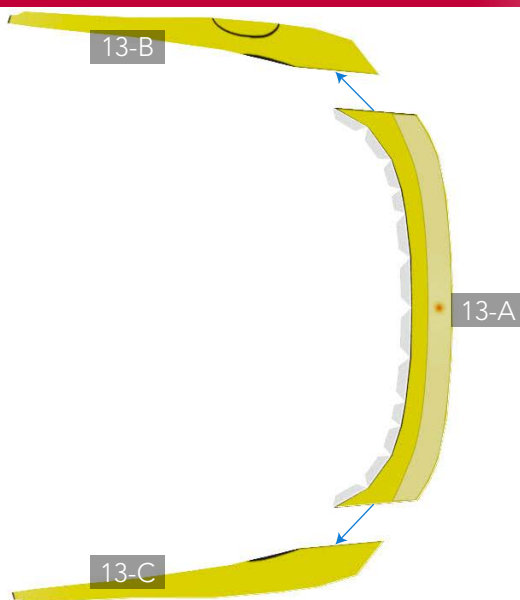


Z PROTO INSTRUCTIONS

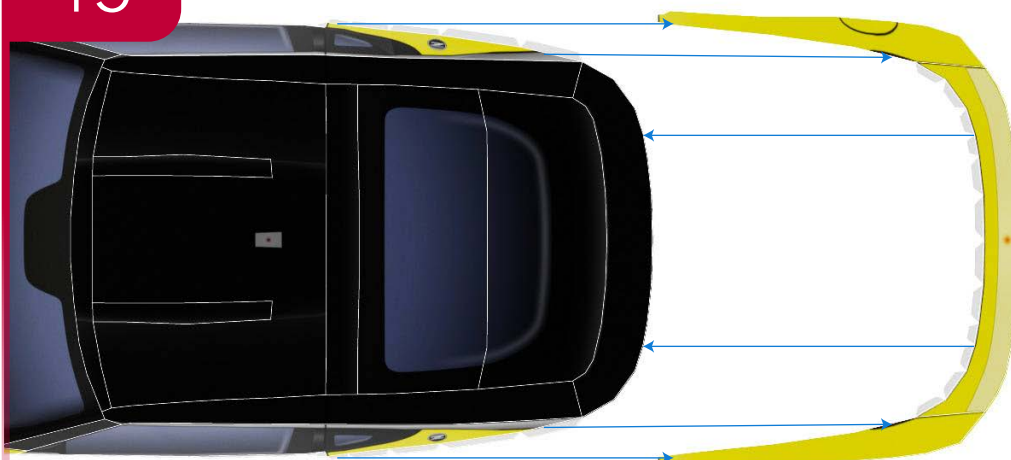
13



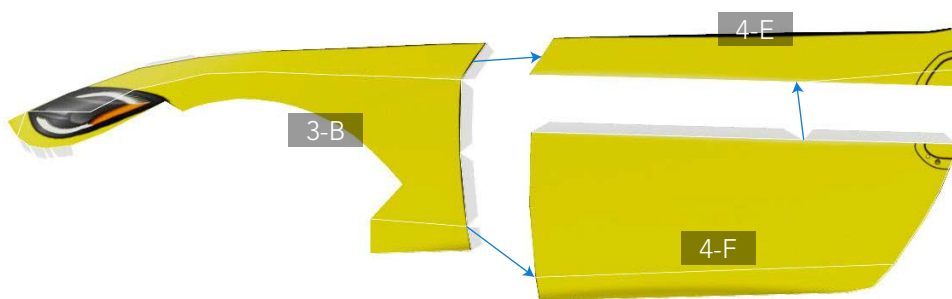
14



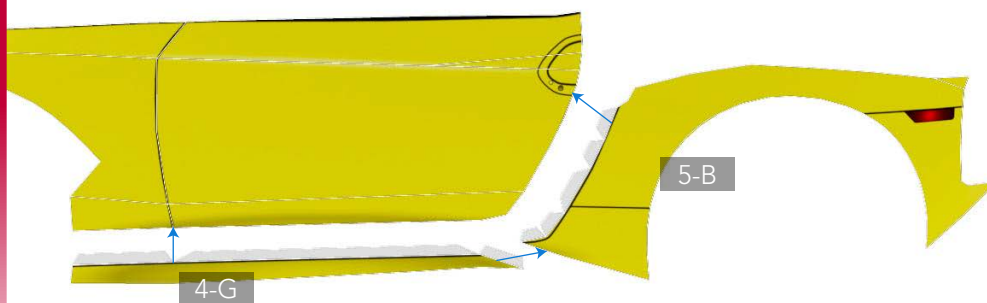
15



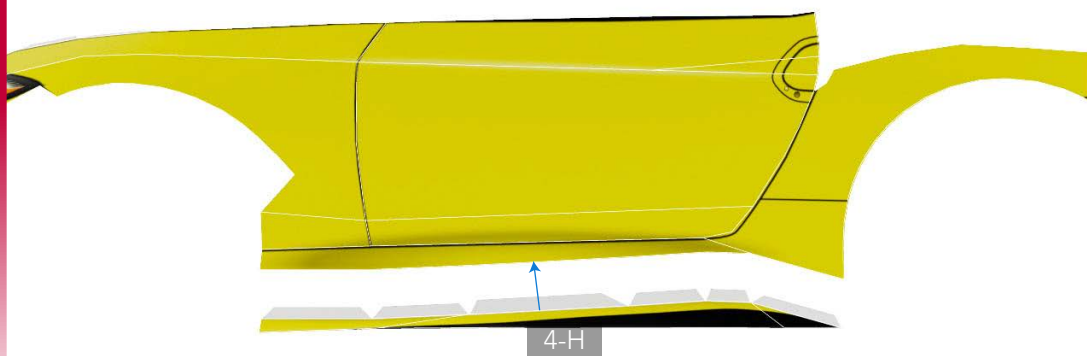
16



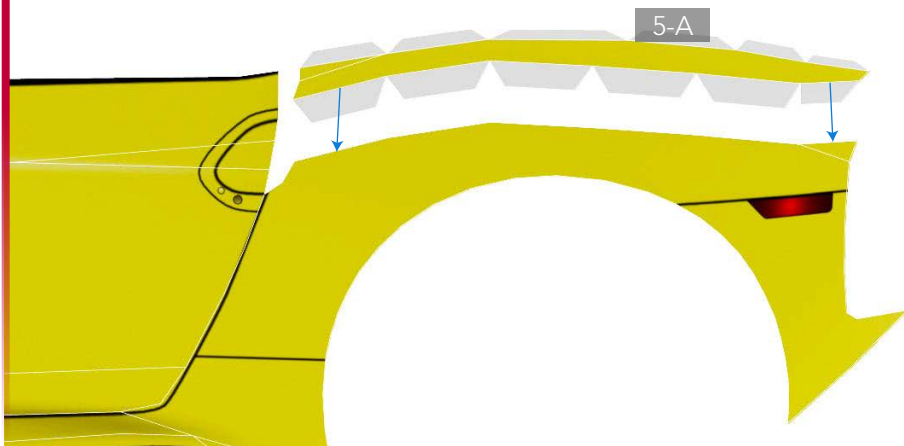
17



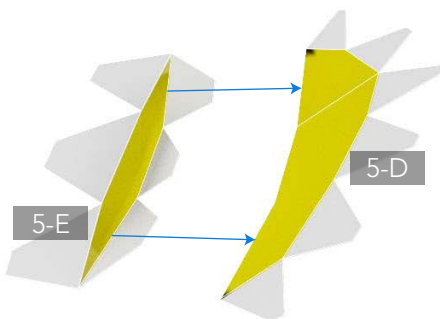
18



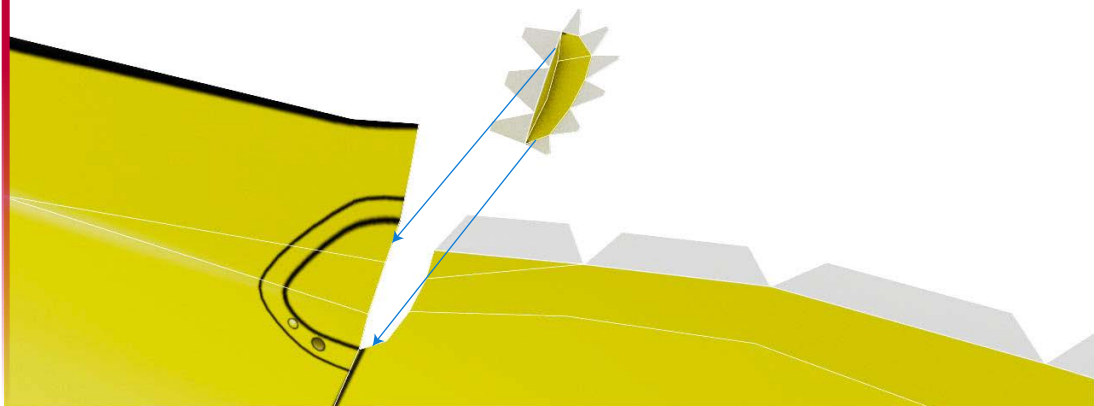
19



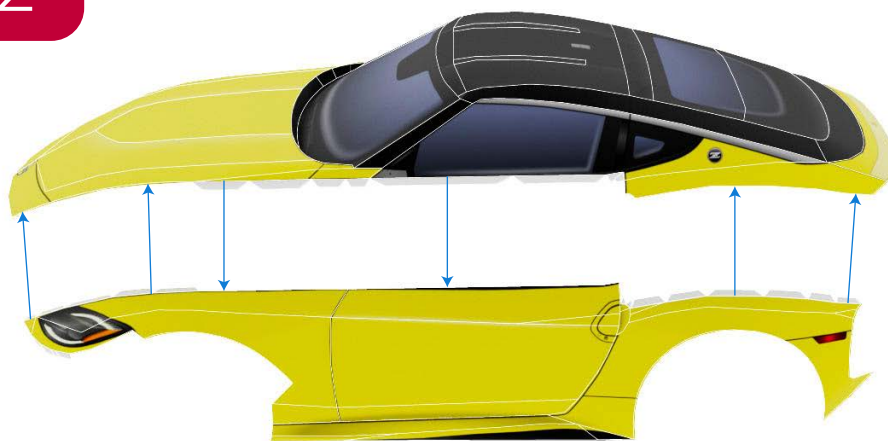
20



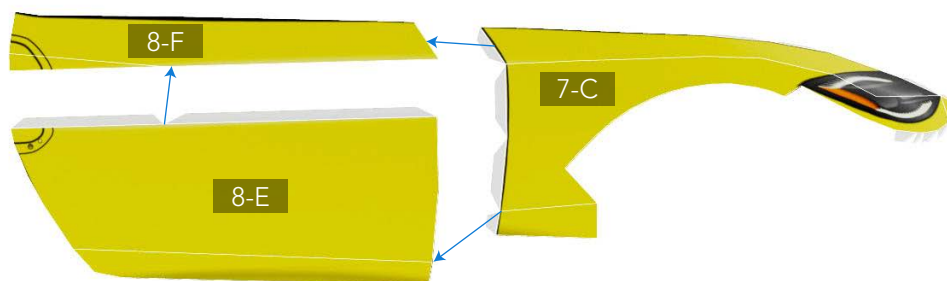
21



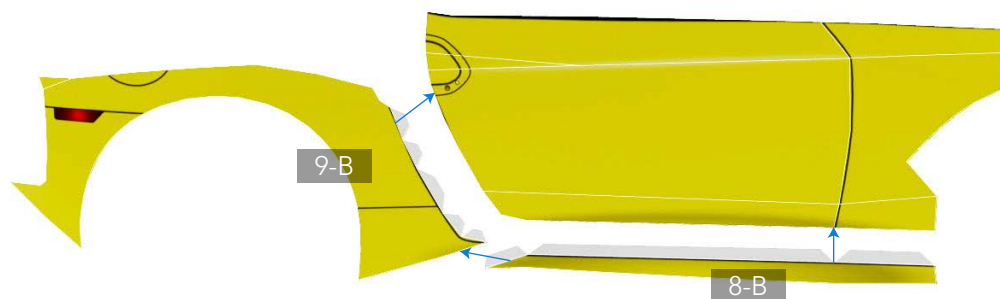
22



23

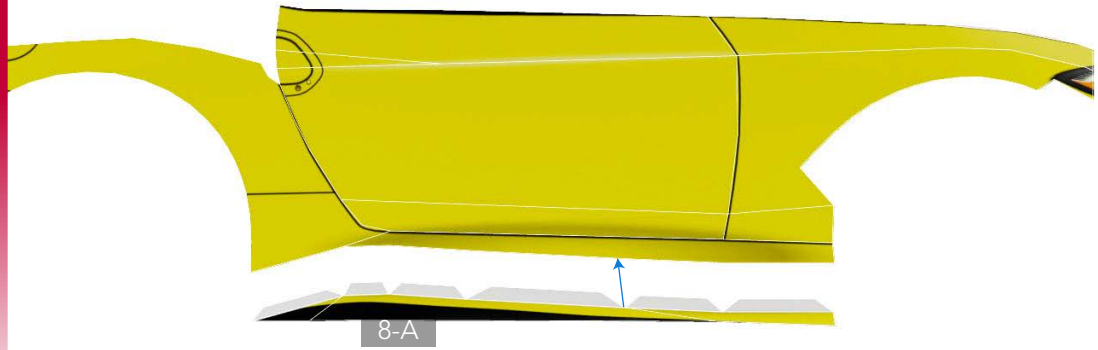


24

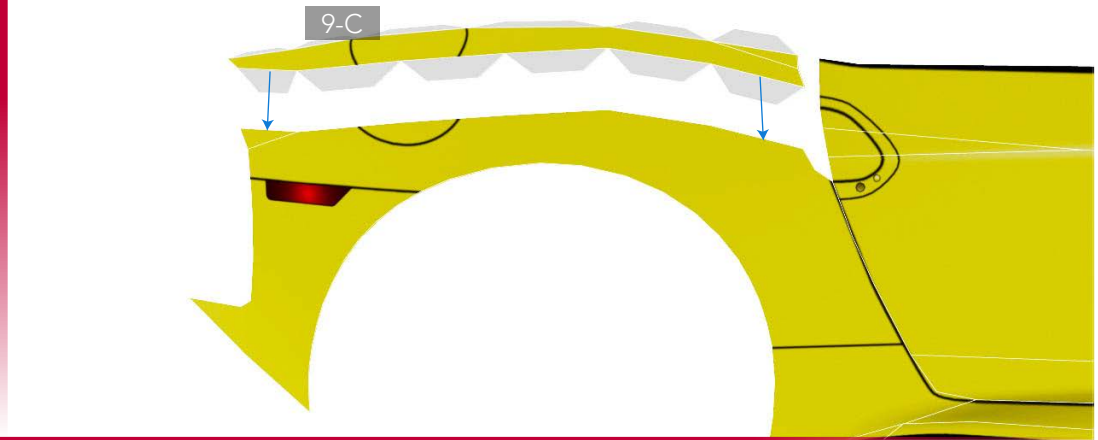


Z PROTO INSTRUCTIONS

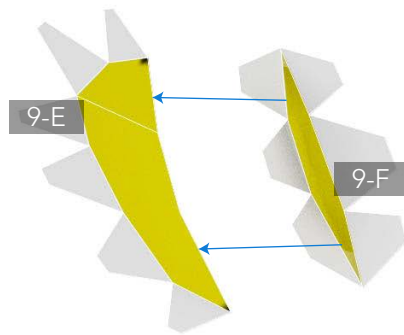
25



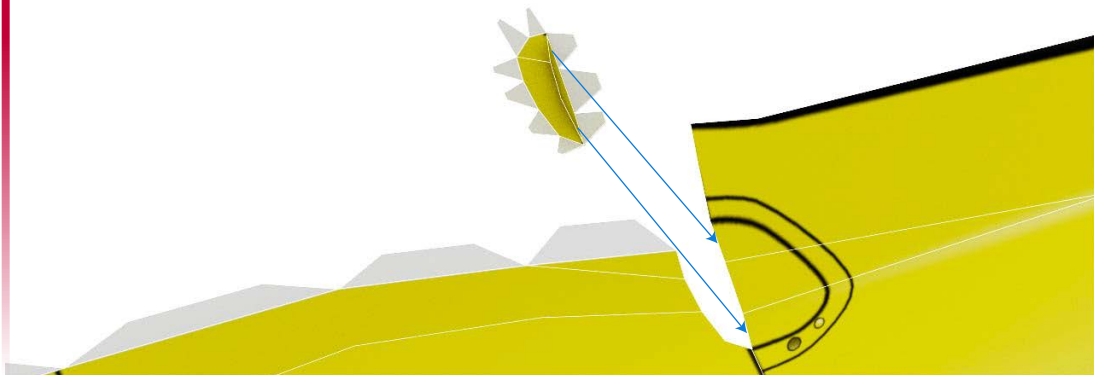
26



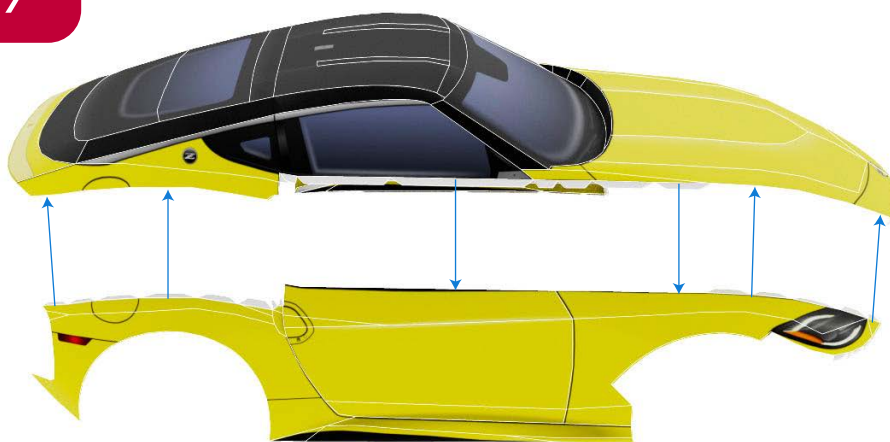
27



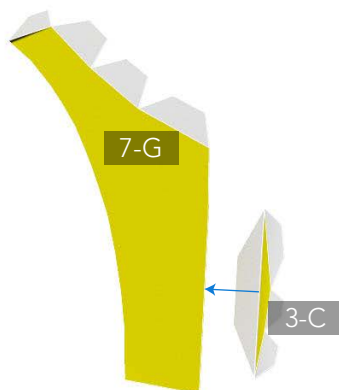
28



29

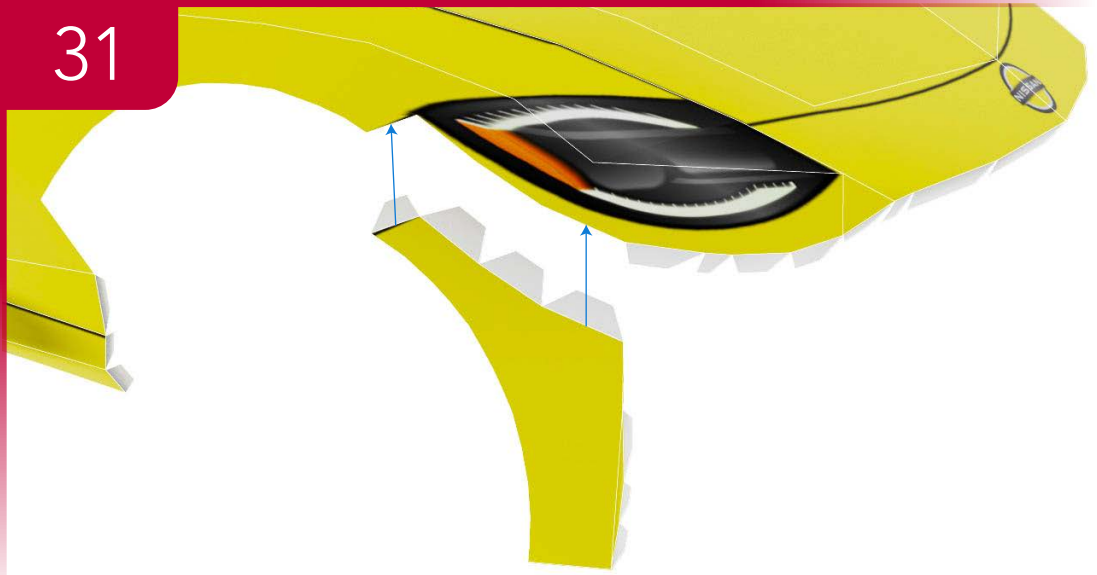


30

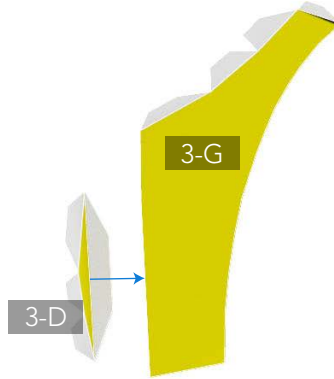


Z PROTO INSTRUCTIONS

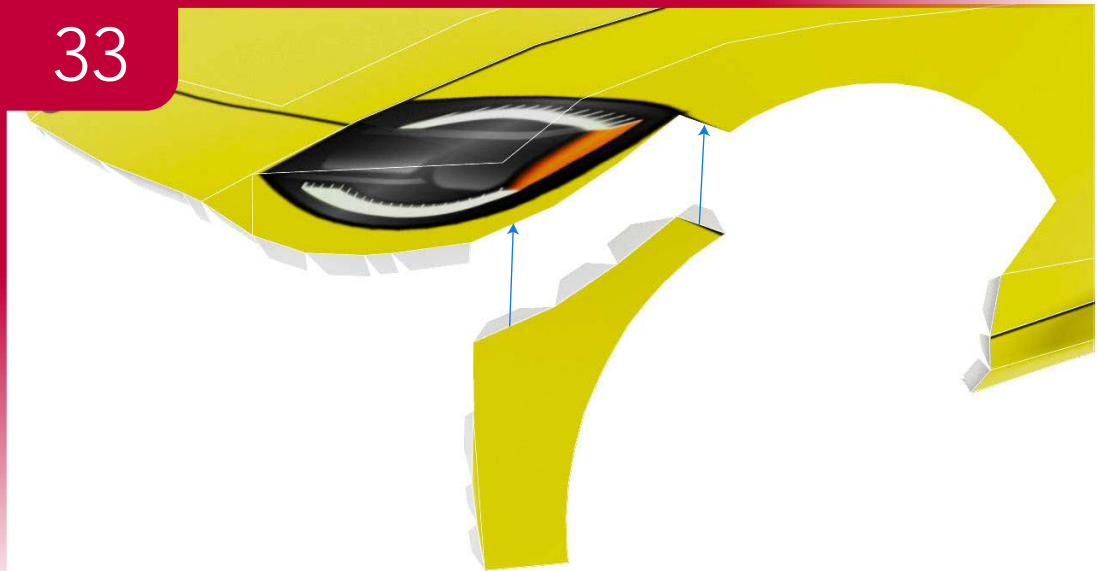
31



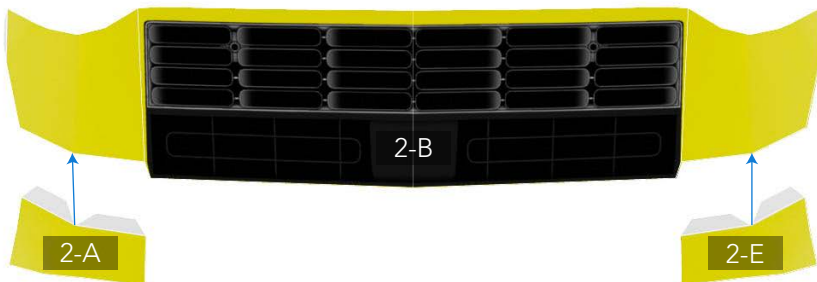
32



33



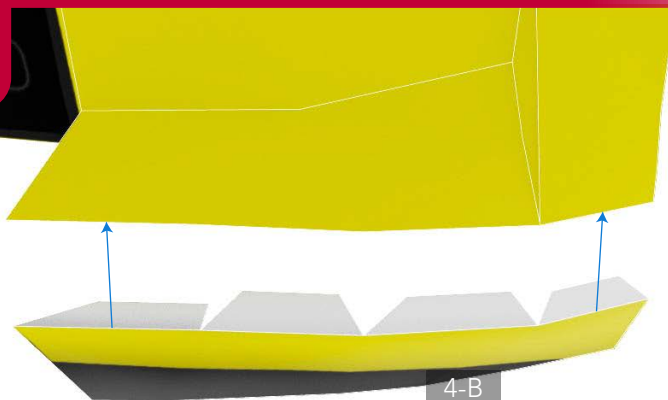
34



35

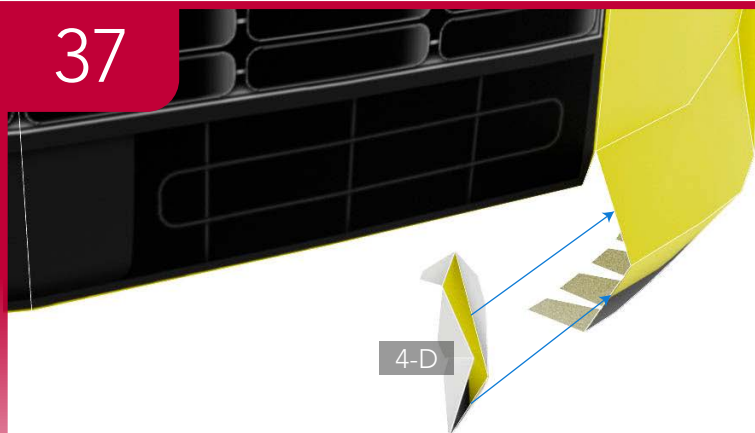


36

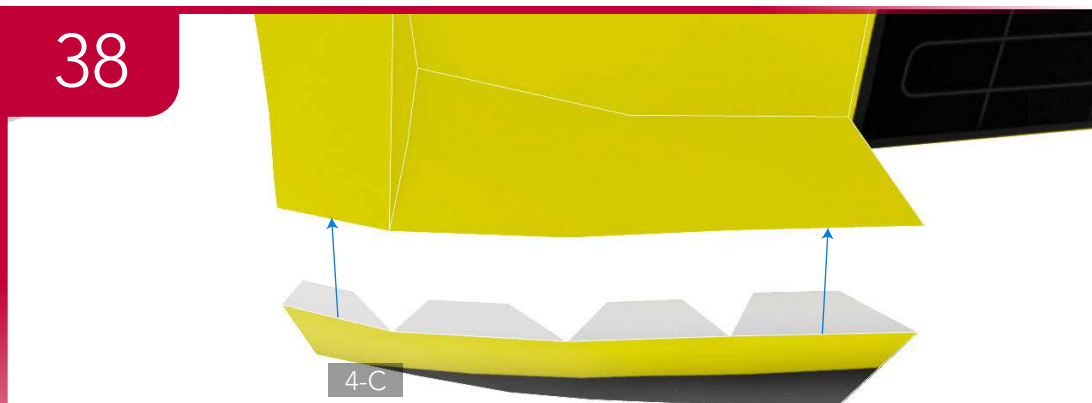


Z PROTO INSTRUCTIONS

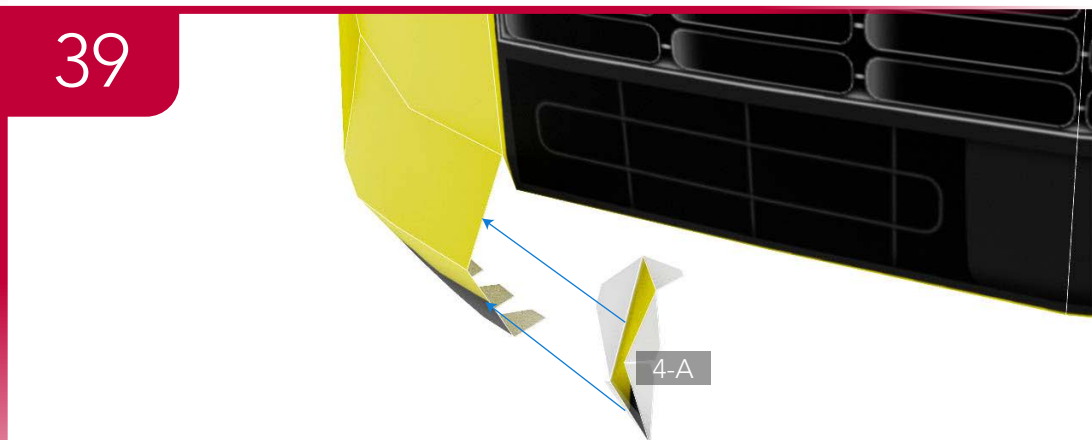
37



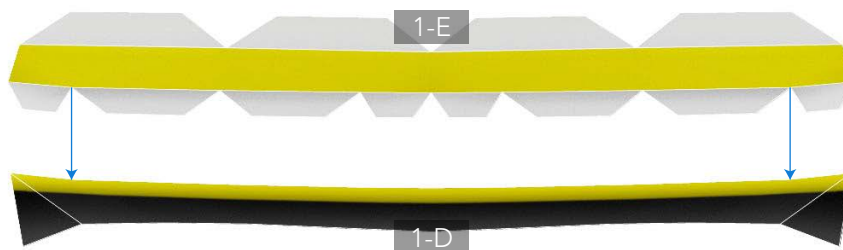
38



39



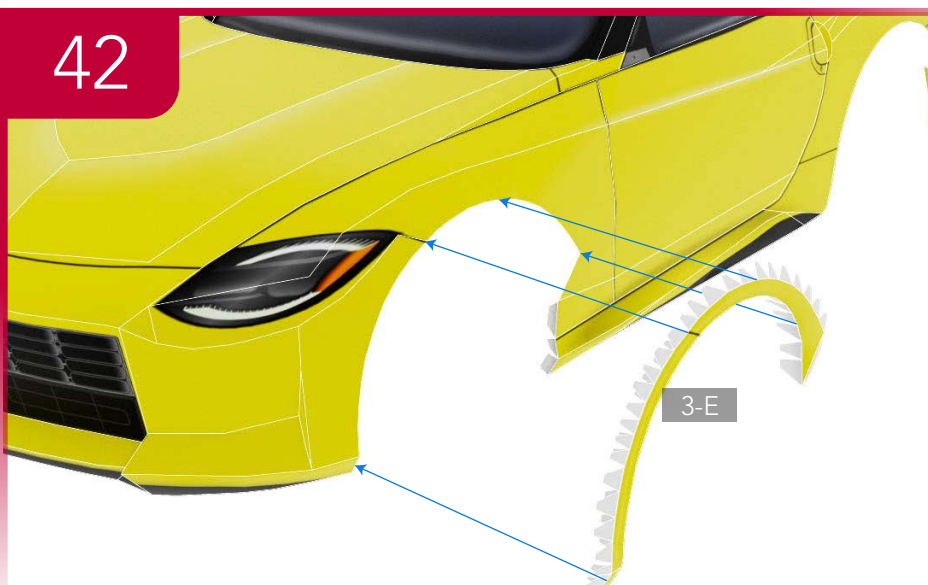
40



41

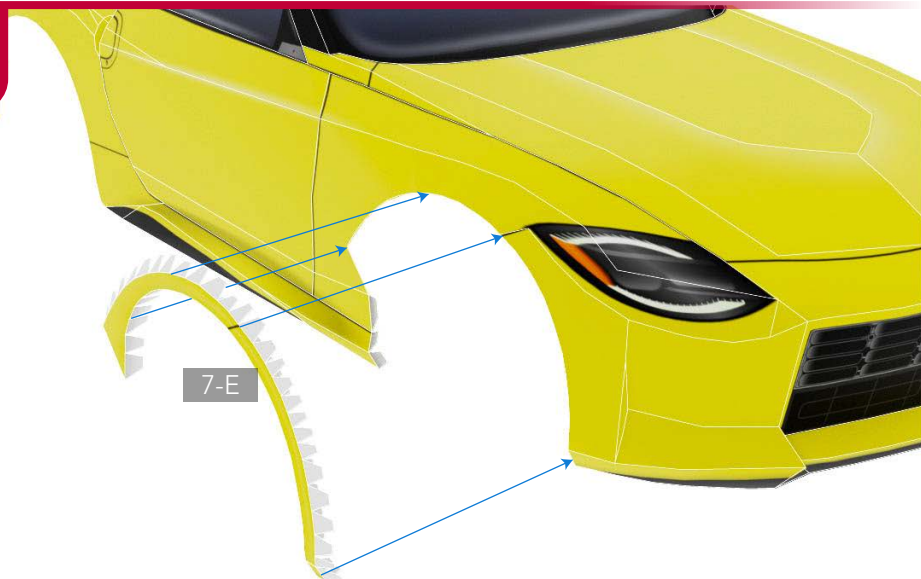


42

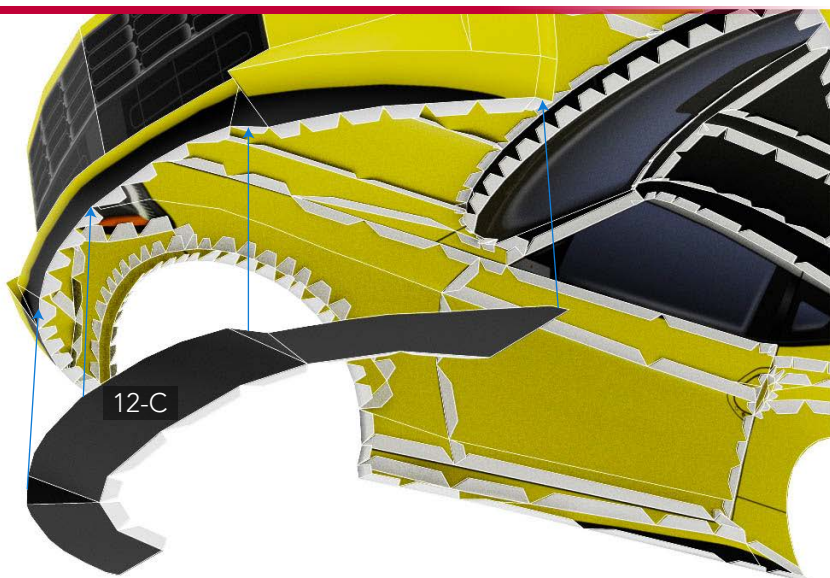


Z PROTO INSTRUCTIONS

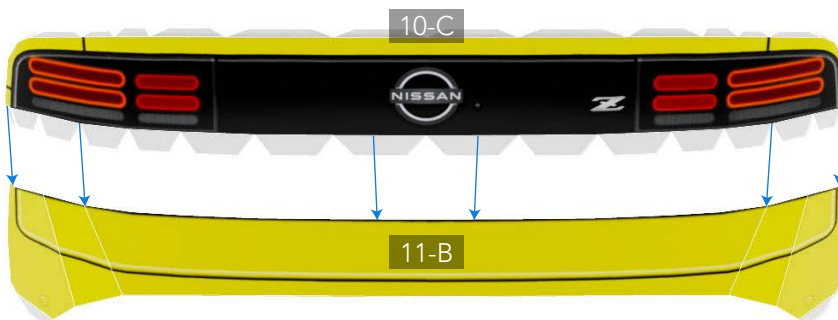
43



44

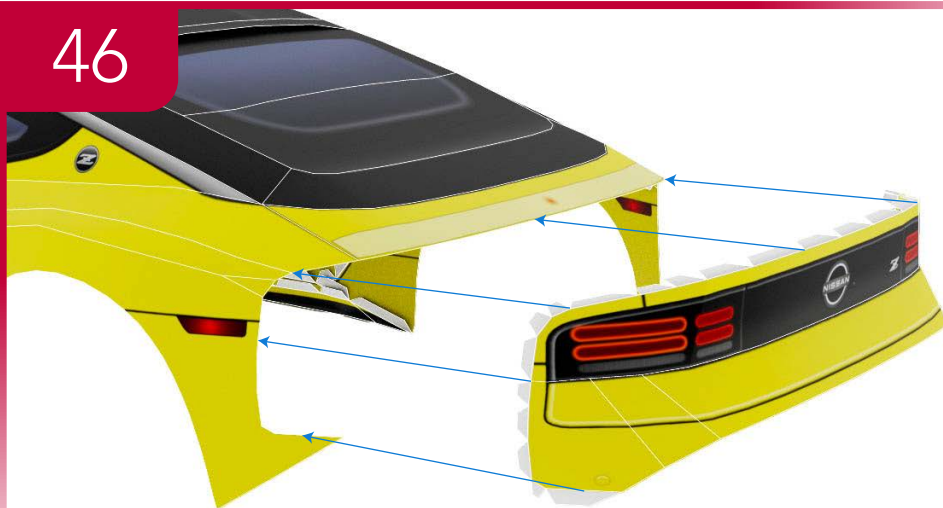


45



Z PROTO INSTRUCTIONS

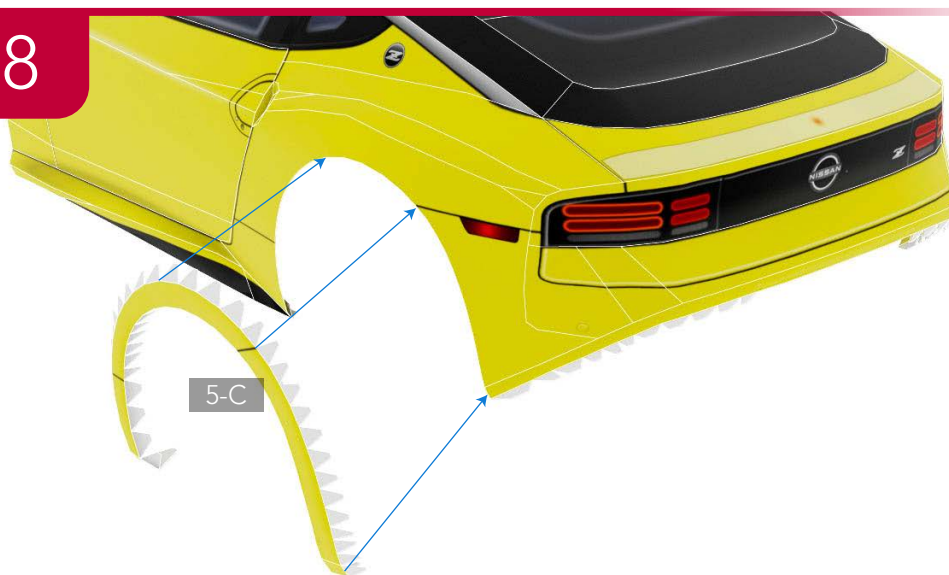
46



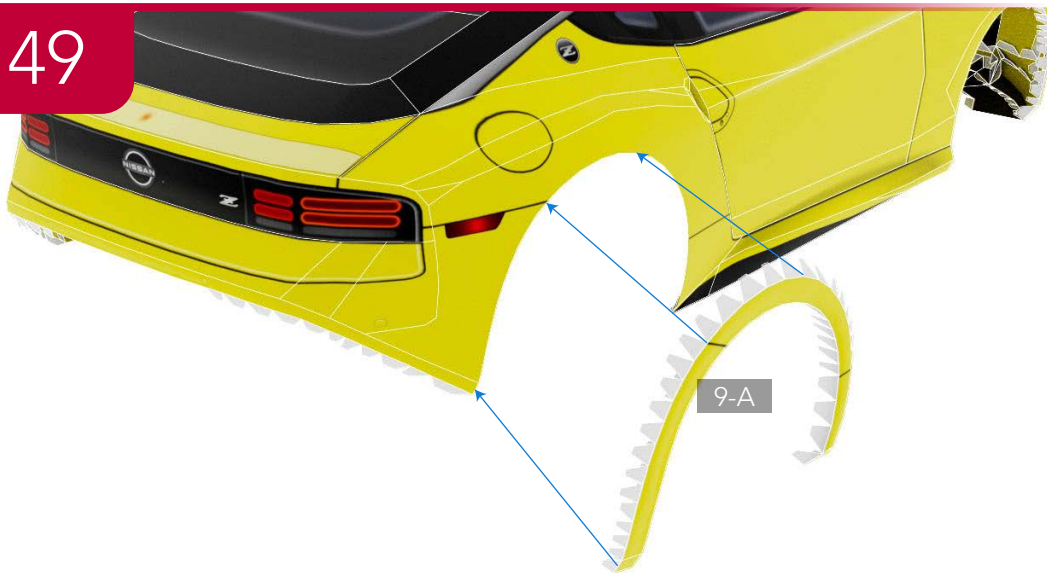
47



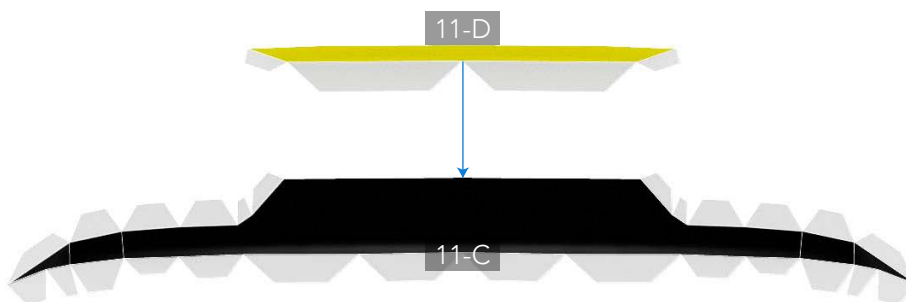
48



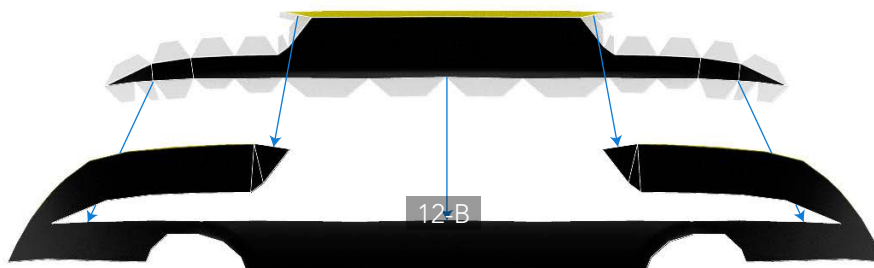
49



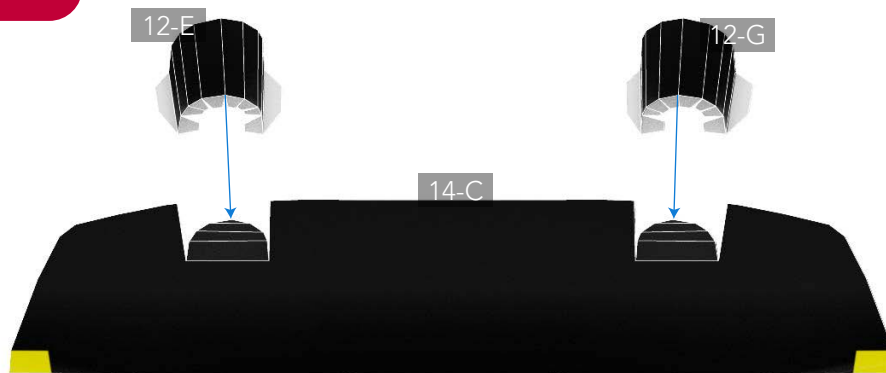
50



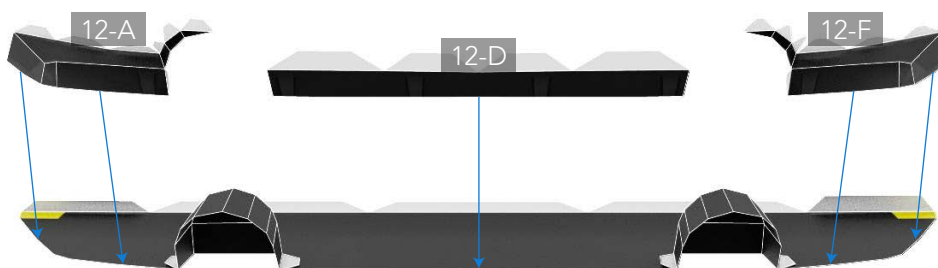
51



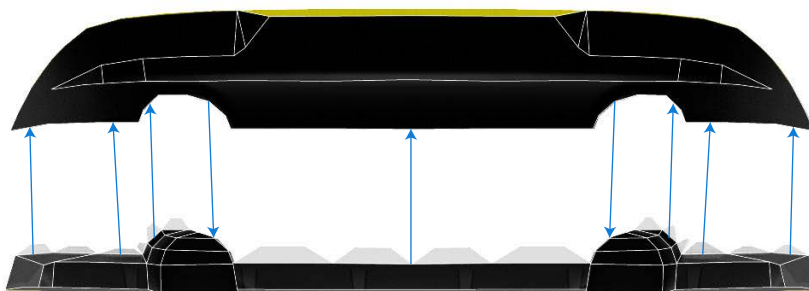
52



53



54

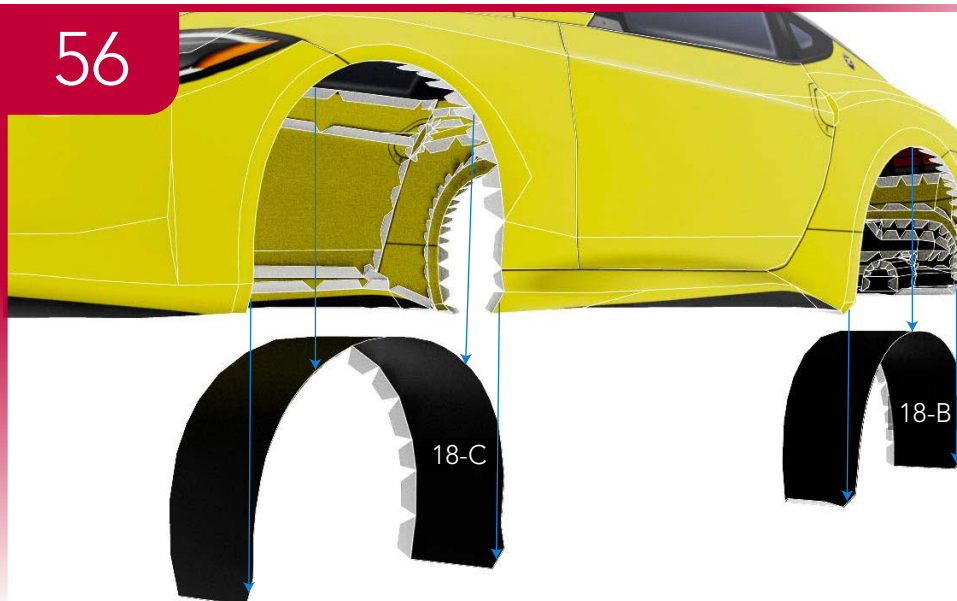


Z PROTO INSTRUCTIONS

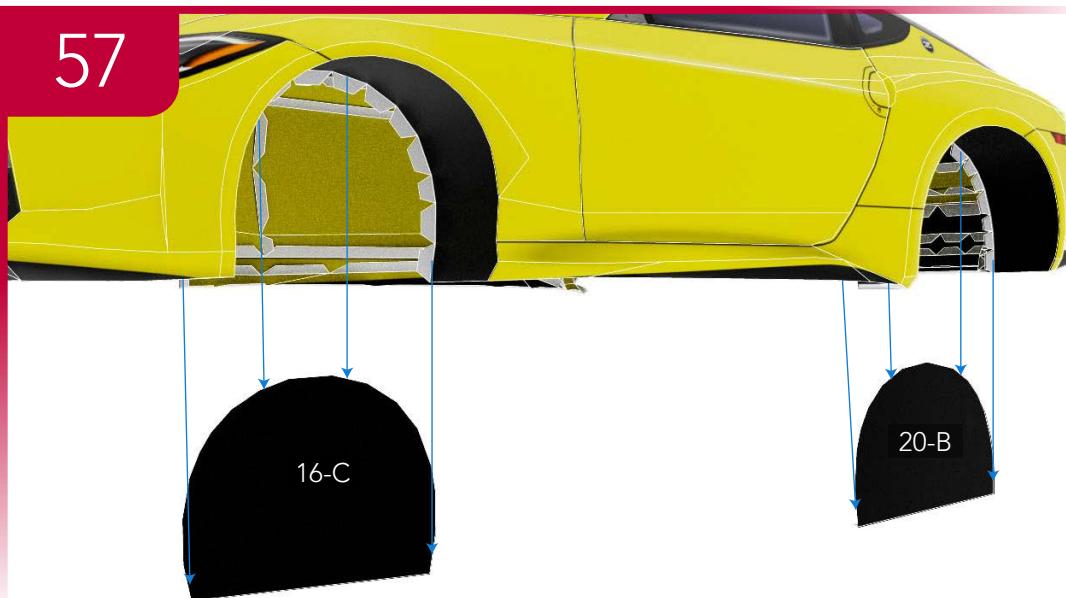
55



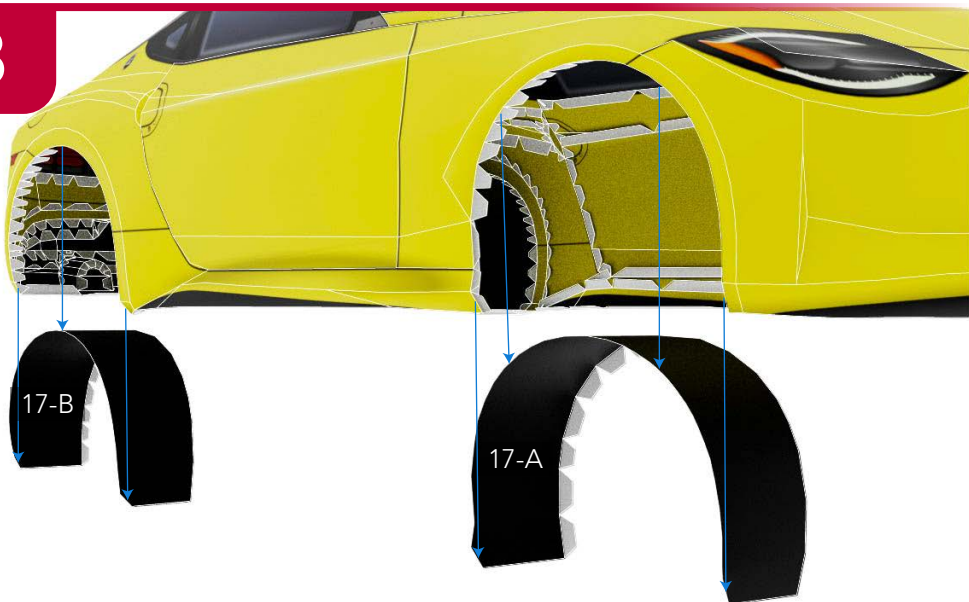
56



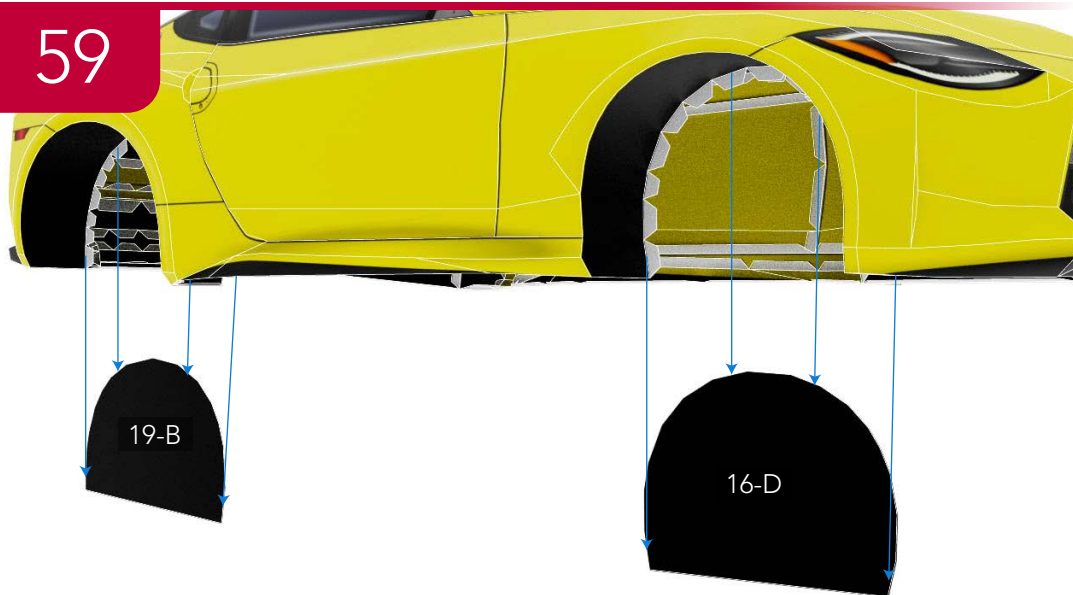
57



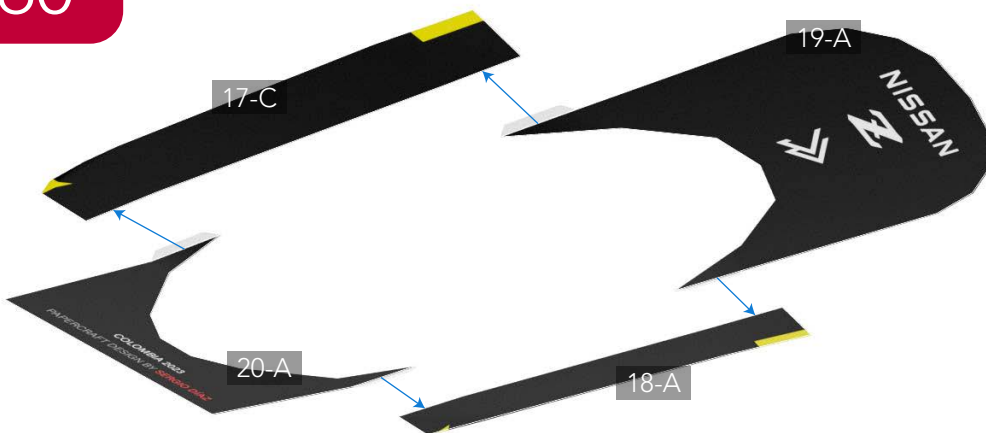
58



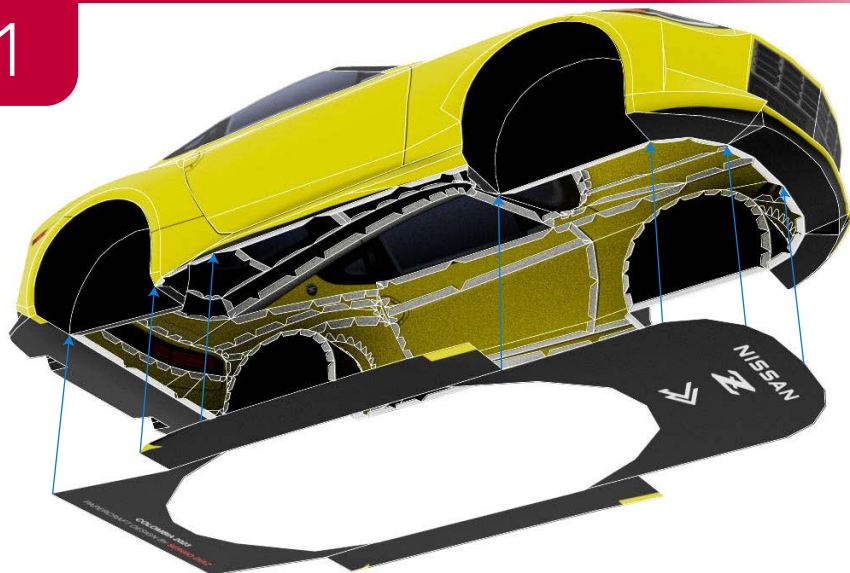
59



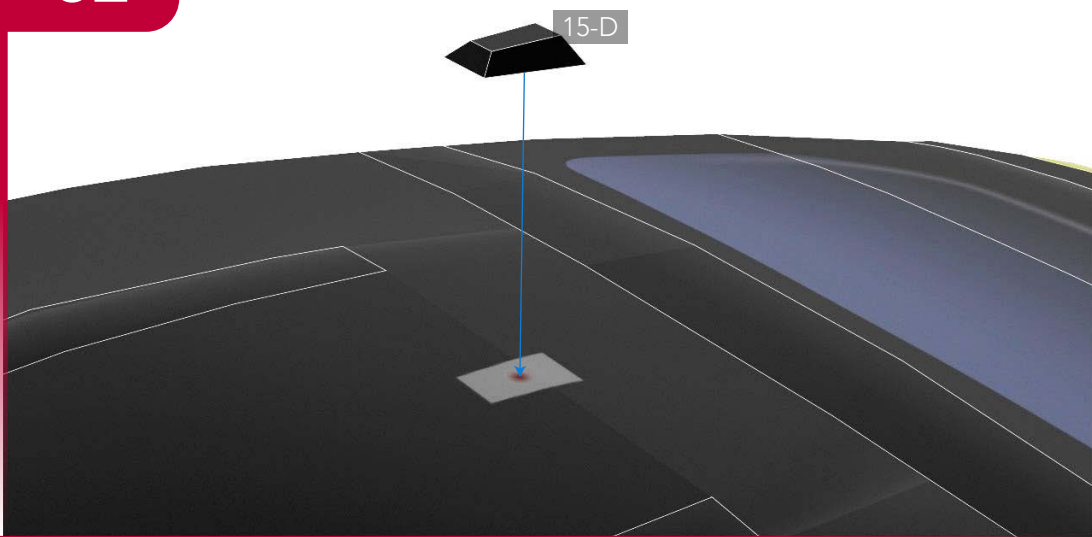
60



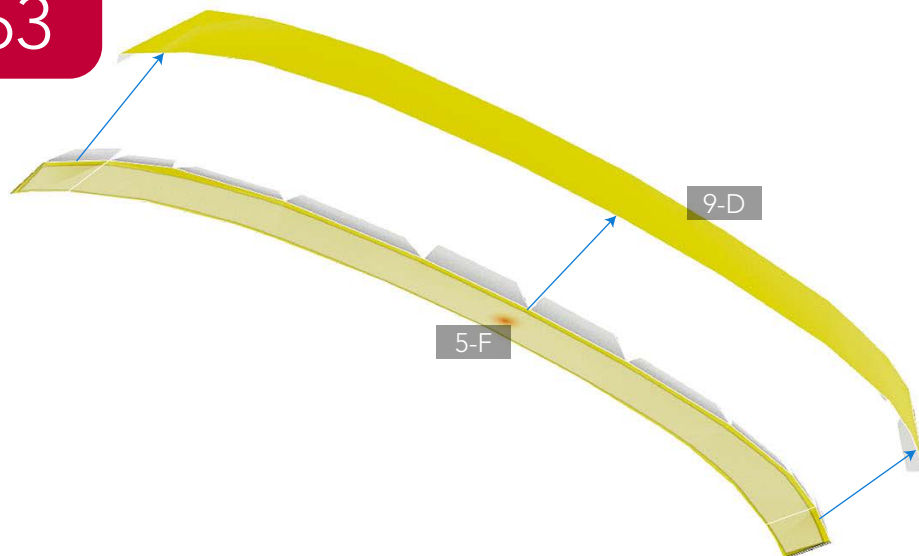
61



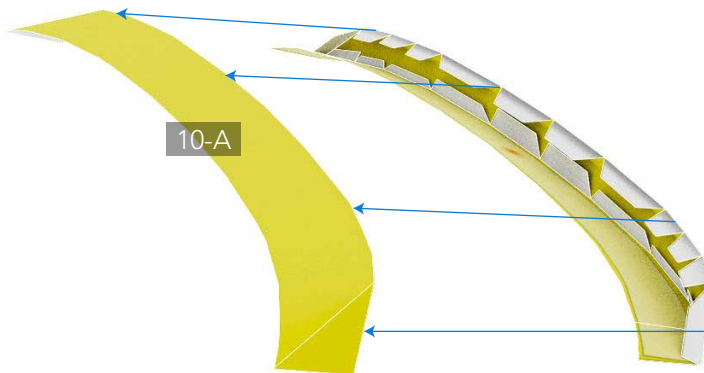
62



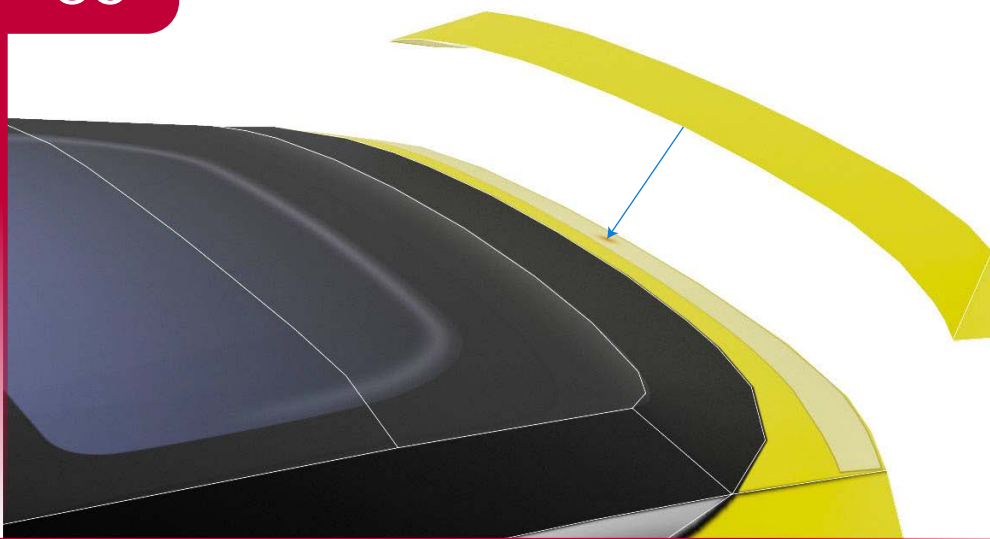
63



64



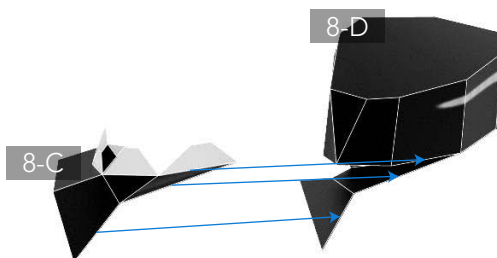
65



66



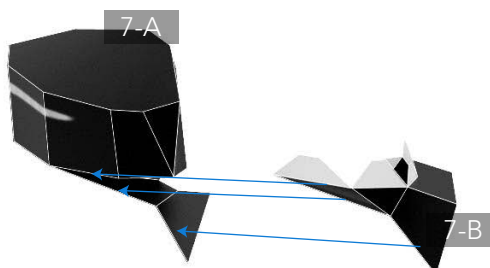
67



68

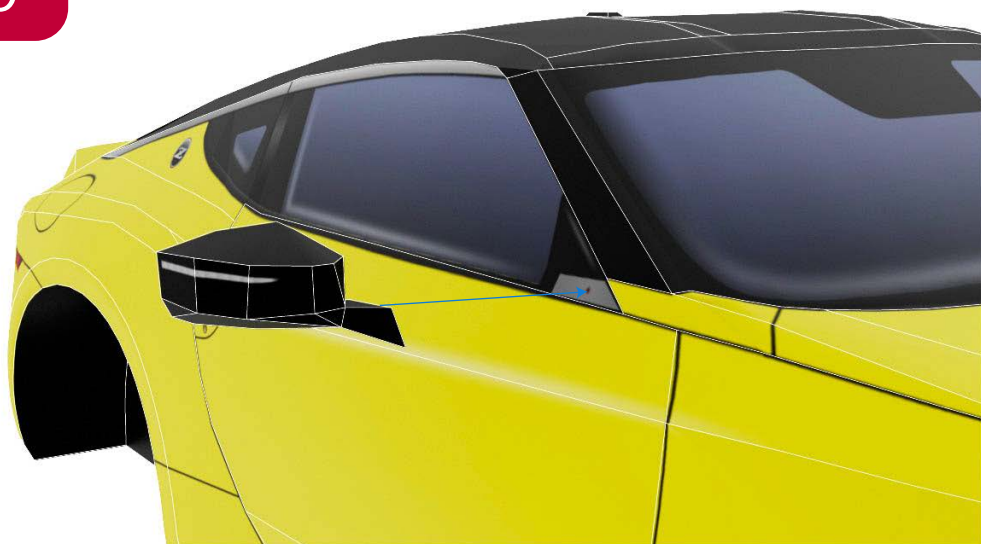


69



Z PROTO INSTRUCTIONS

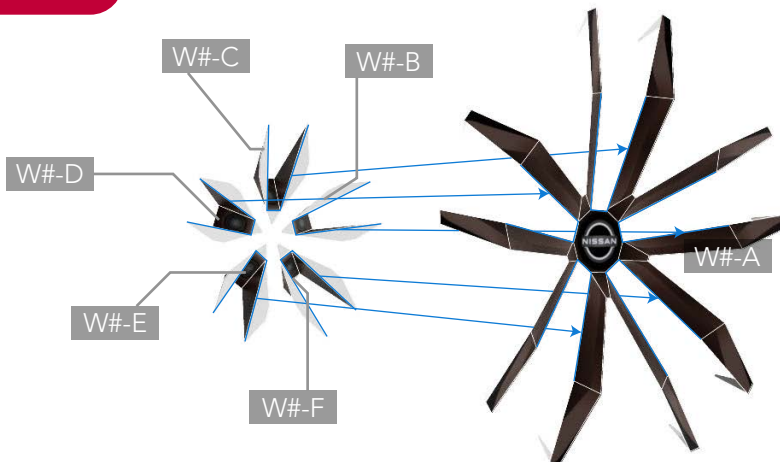
70



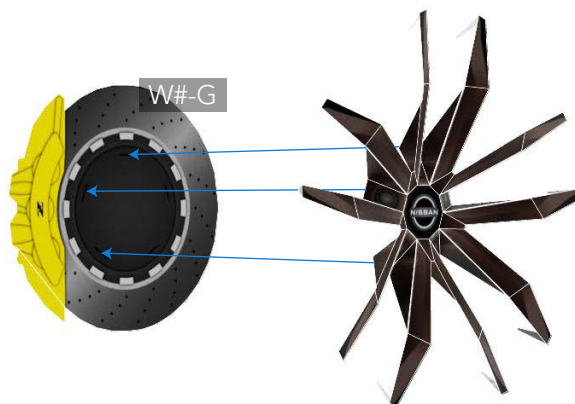
71



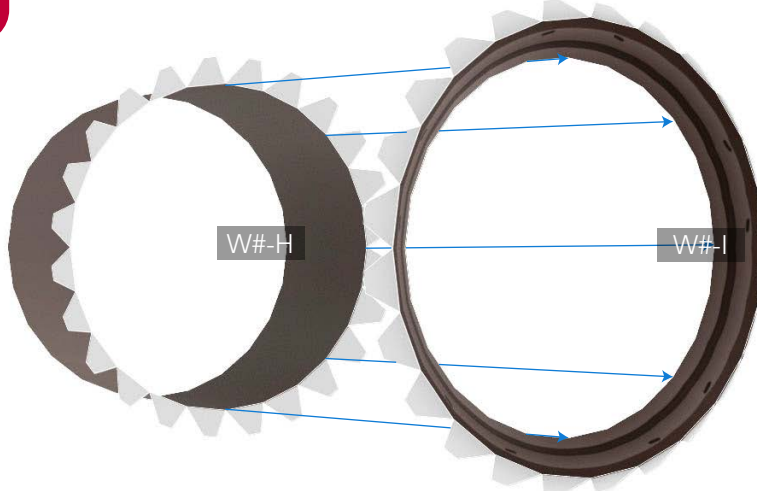
72



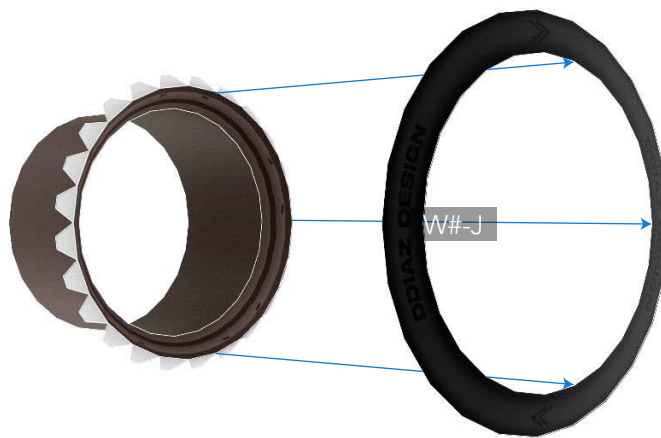
73



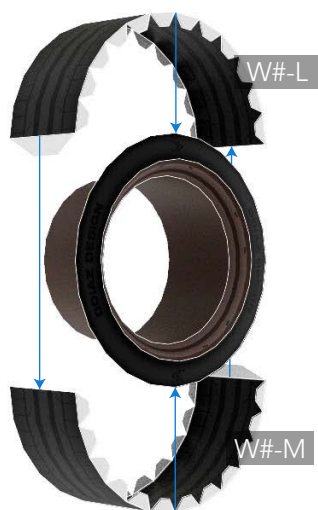
74



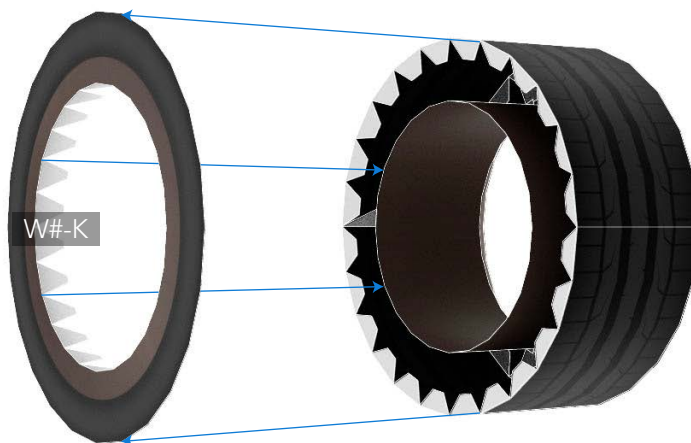
75



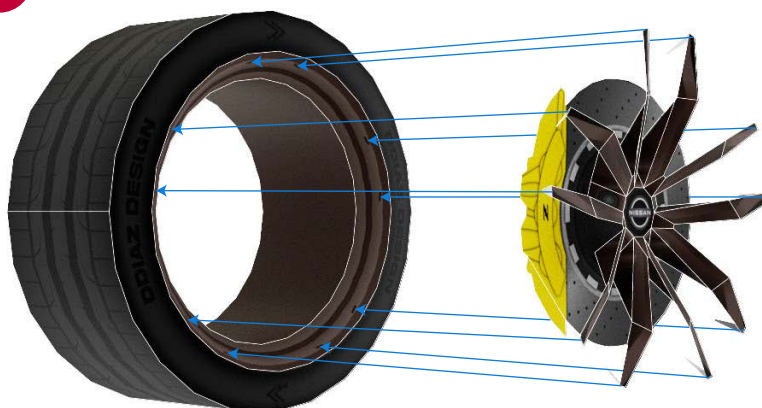
76



77



78



79

W#

W1	W2	W3	W4
W1-A	W2-A	W3-A	W4-A
W1-B	W2-B	W3-B	W4-B
W1-C	W2-C	W3-C	W4-C
W1-D	W2-D	W3-D	W4-D
W1-E	W2-E	W3-E	W4-E
W1-F	W2-F	W3-F	W4-F
W1-G	W2-G	W3-G	W4-G
W1-H	W2-H	W3-H	W4-H
W1-I	W2-I	W3-I	W4-I
W1-J	W2-J	W3-J	W4-J
W1-K	W2-K	W3-K	W4-K
W1-L	W2-L	W3-L	W4-L
W1-M	W2-M	W3-M	W4-M

80



81



THANKS FOR CRAFTING

Send the photos of your build to ddiaz.design98@gmail.com

For more, visit my web site

<https://sergiodanidiaz.wixsite.com/ddiaz-paper-design/>

