

**instructables**

## **INSTRUCTABOT GOES TO TOWN**

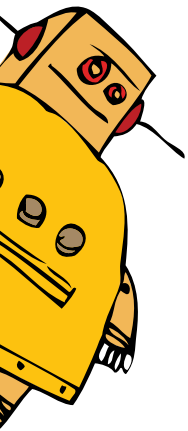
PAPERCRAFT TOY



Designed by Taras Lesko  
[VisualSpicer.com](http://VisualSpicer.com)

We are happy to present this collaboration between one of our most favorited Featured Authors, VisualSpicer and the Instructables team. VisualSpicer has been an active member of our community for several years, with his outstanding paper crafts getting such amazing feedback, an Instructables Robot commission was inevitable. This is our Robot's first ride and we must say, it fits like a glove.

Please enjoy the following paper craft activity and remember to post your build online **#instructabot**



## Recommended Tools

- Craft glue
- X-Acto knife
- Scissors

## Miscellaneous

- Glue only one part at a time.
- Glue only two or three tabs at a time.
- Experiment, enjoy and have fun!

## Templates

Cut line



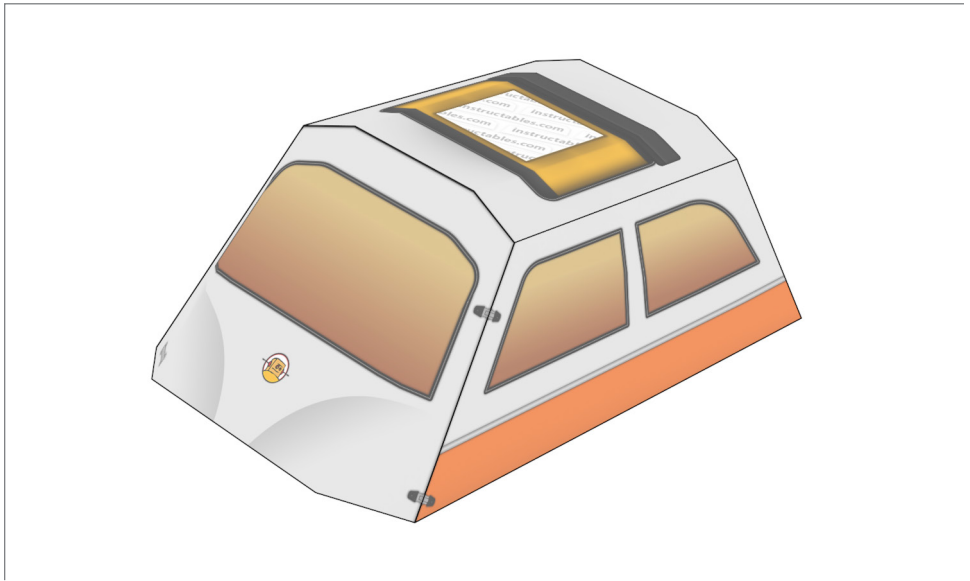
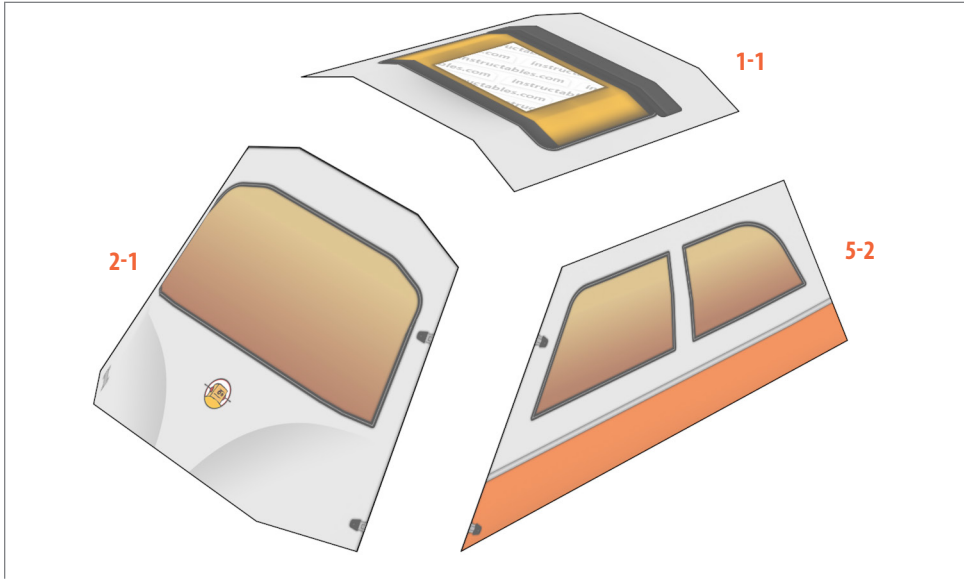
Mountain fold line 



Valley fold line 



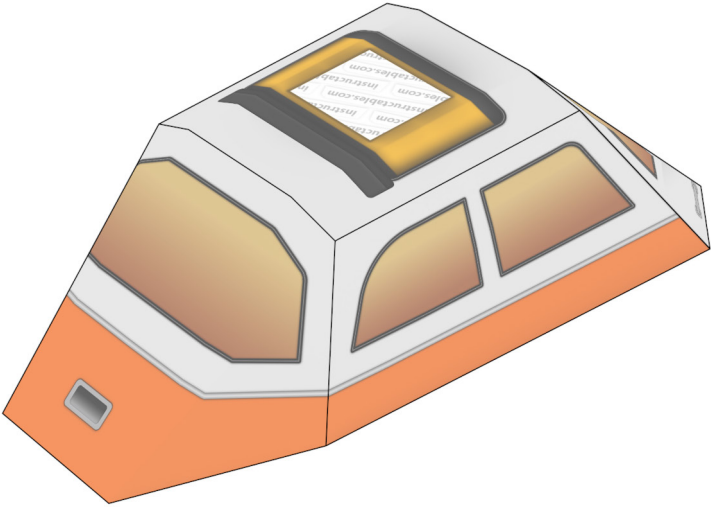
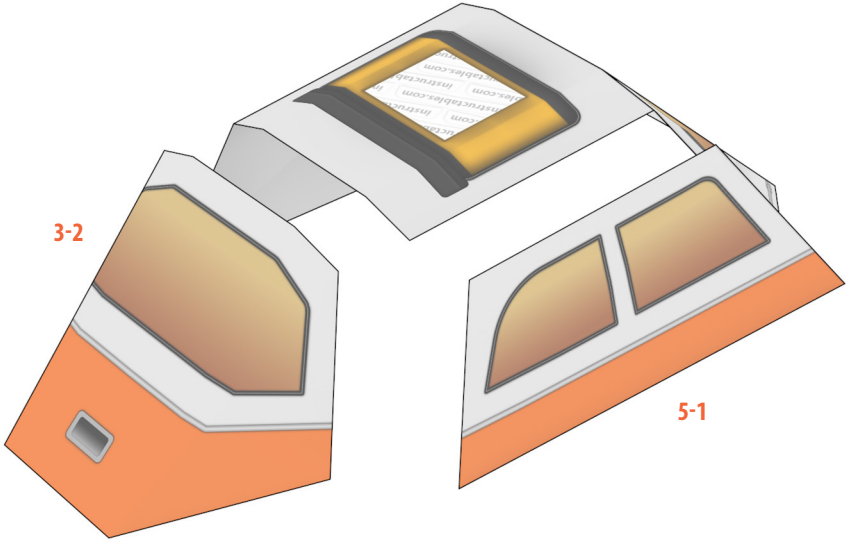
## INSTRUCTABOT GOES TO TOWN



1

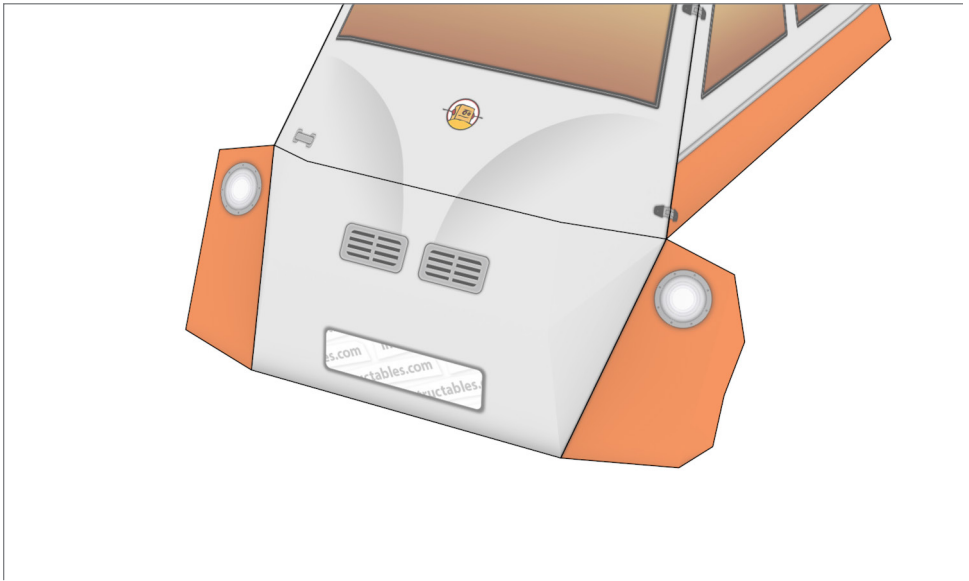
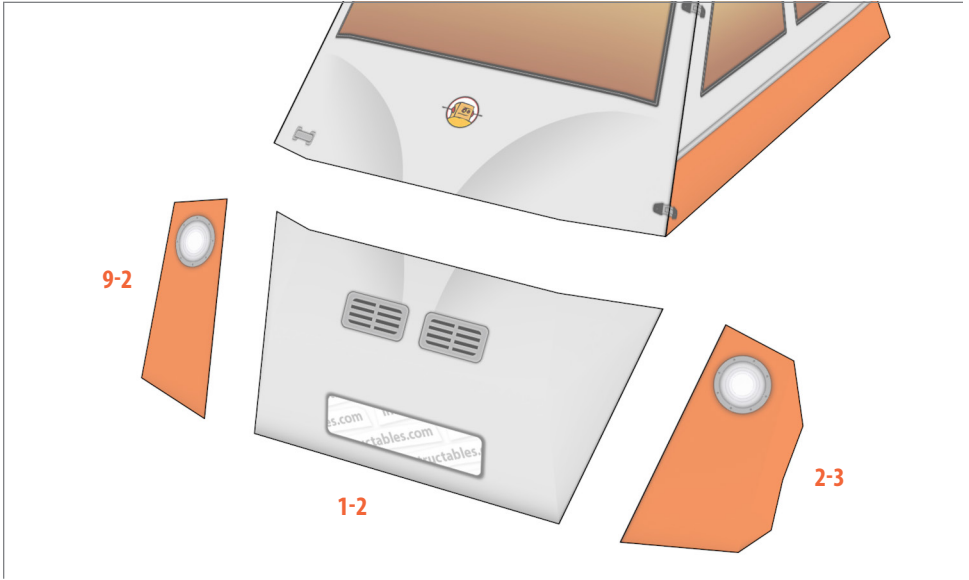
Find parts for each step by referencing Templates page number then part number. For example, 1-2 is Templates page 1, part 2.

# INSTRUCTABOT GOES TO TOWN



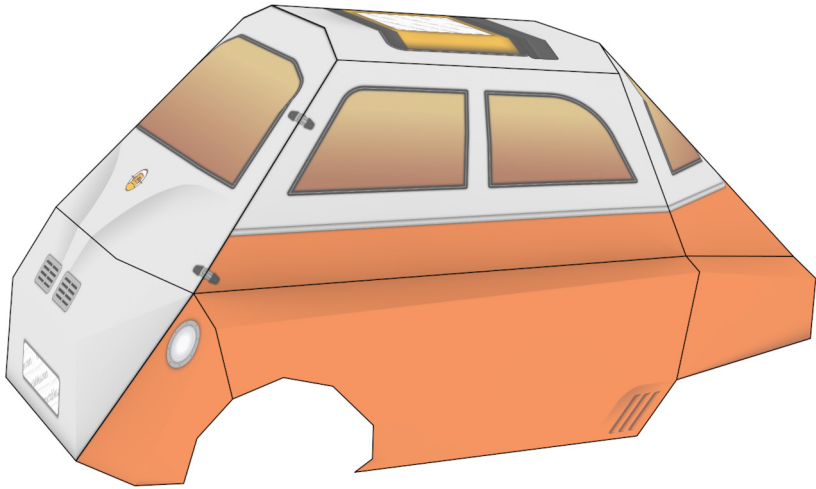
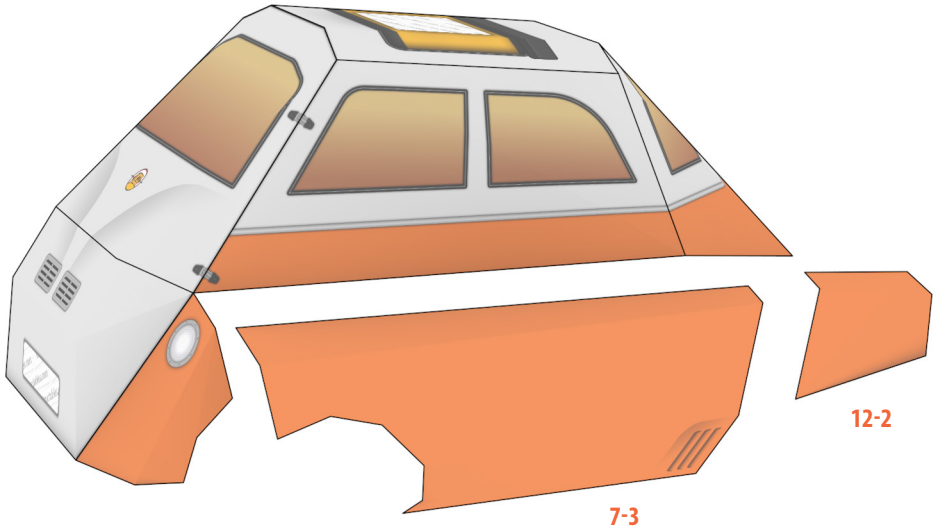
2

## INSTRUCTABOT GOES TO TOWN



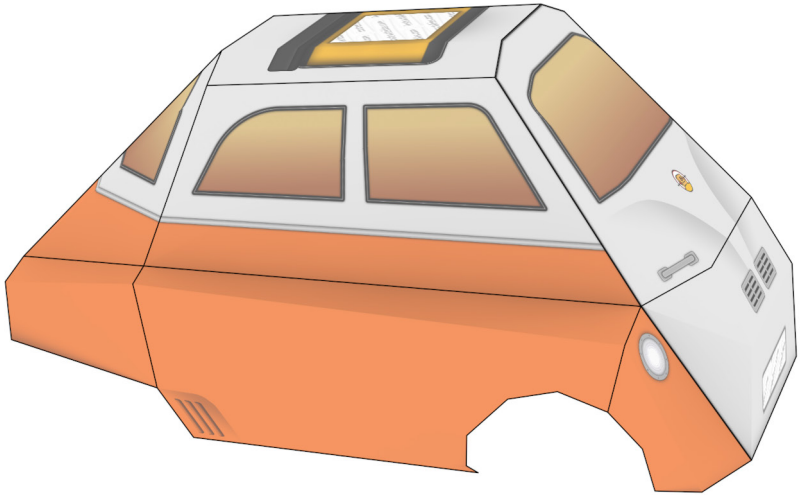
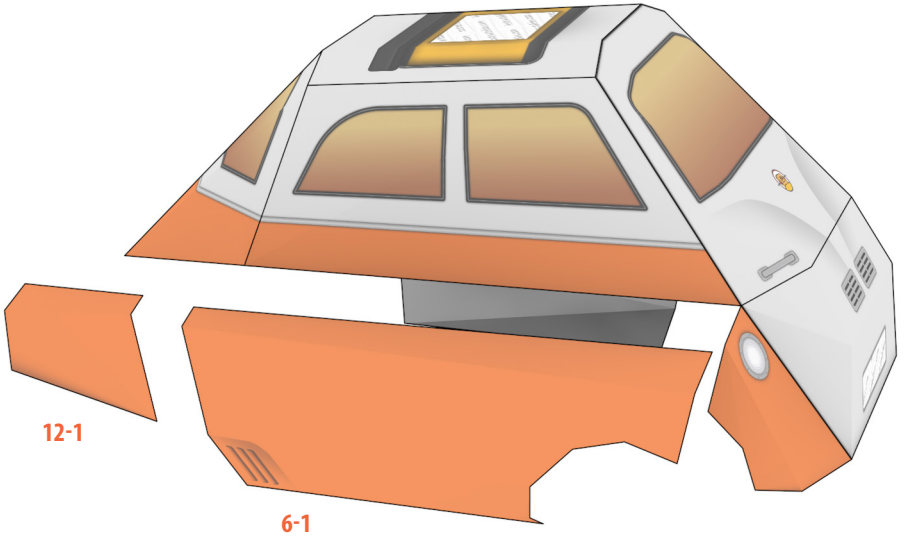
3

# INSTRUCTABOT GOES TO TOWN



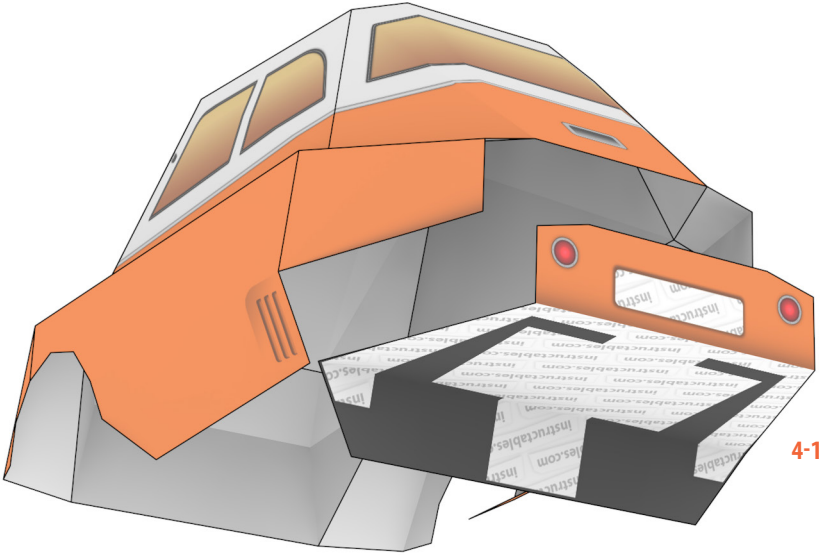
4

## INSTRUCTABOT GOES TO TOWN

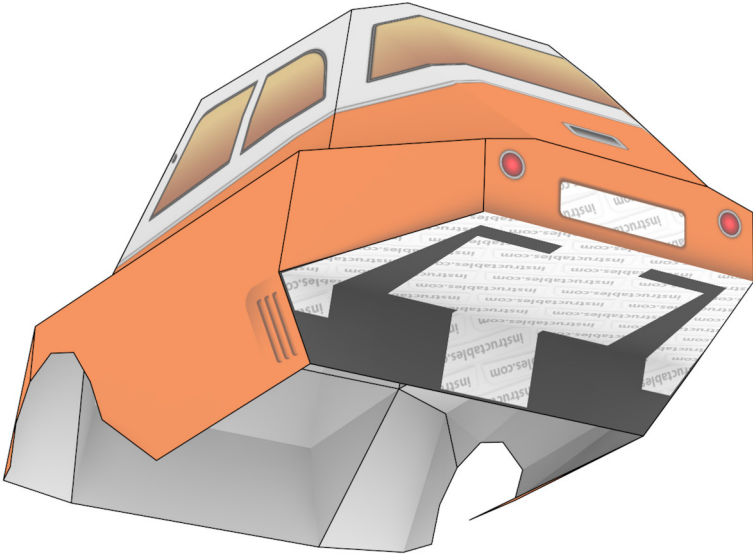


5



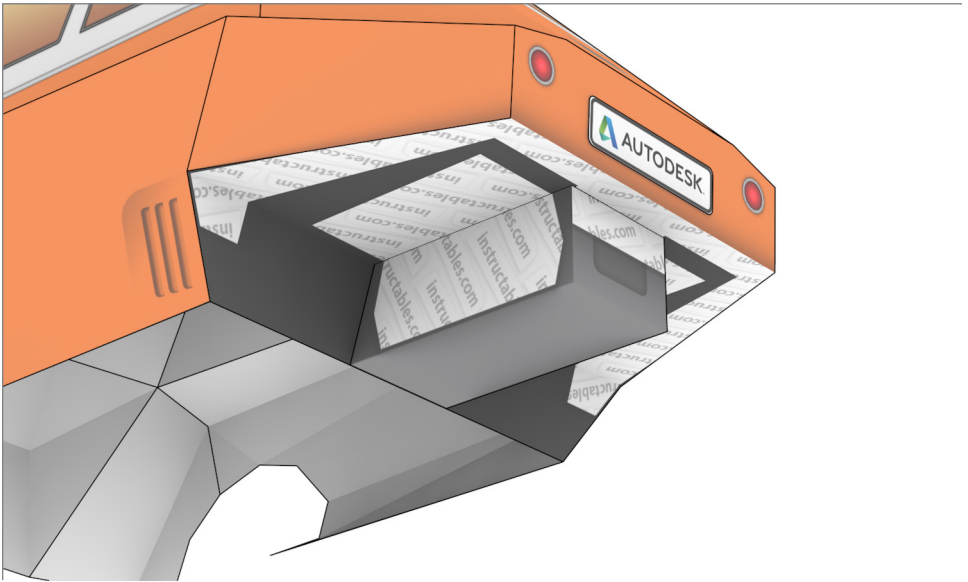
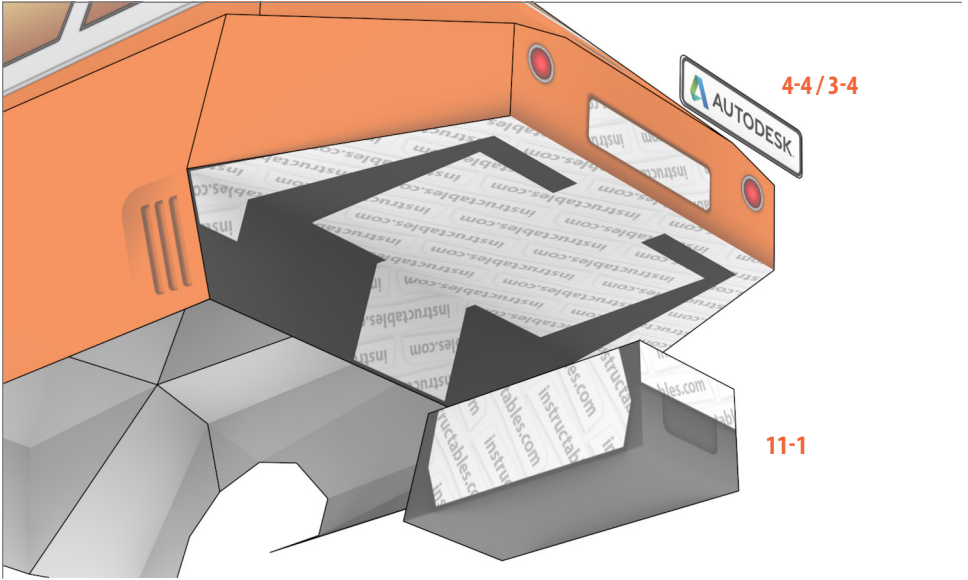


4-1



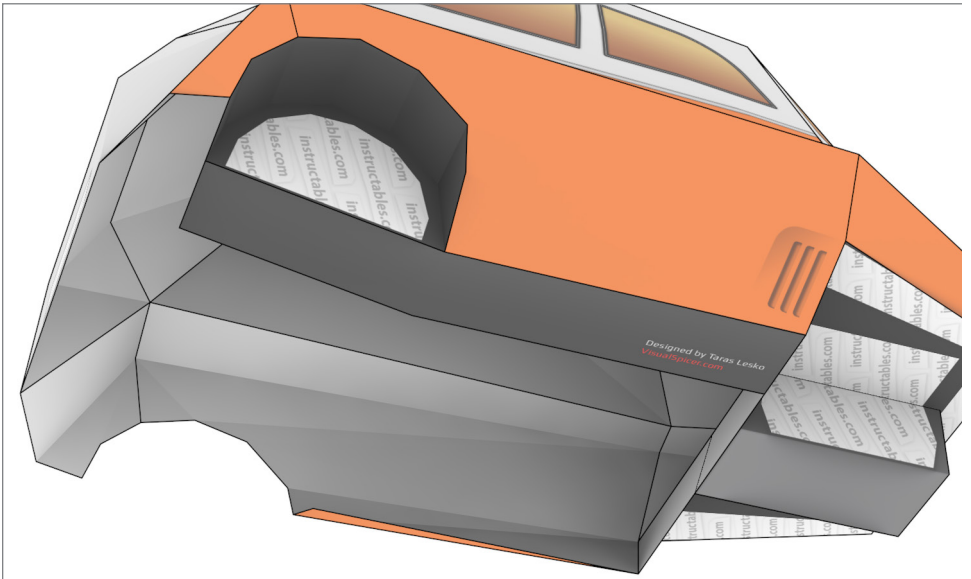
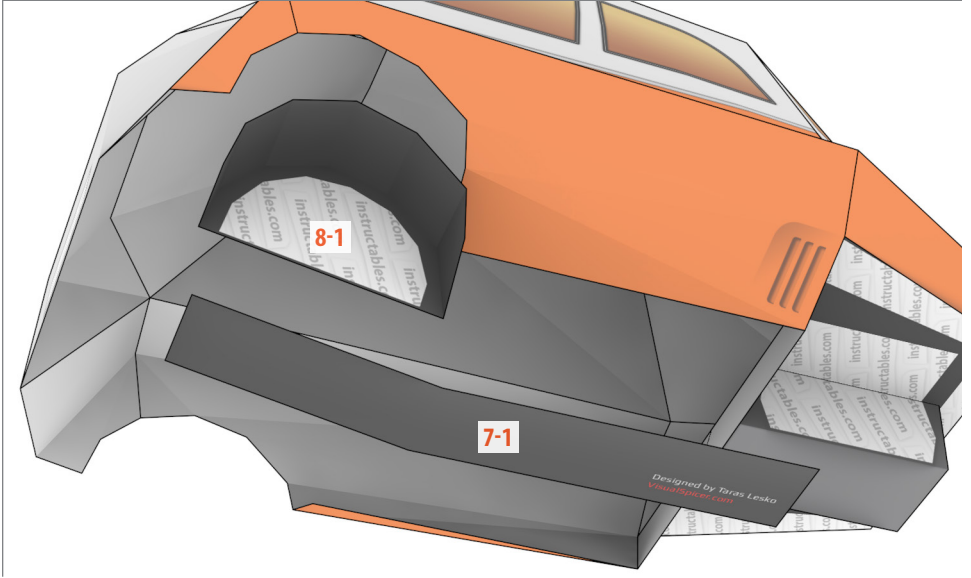
6

**INSTRUCTABOT GOES TO TOWN**



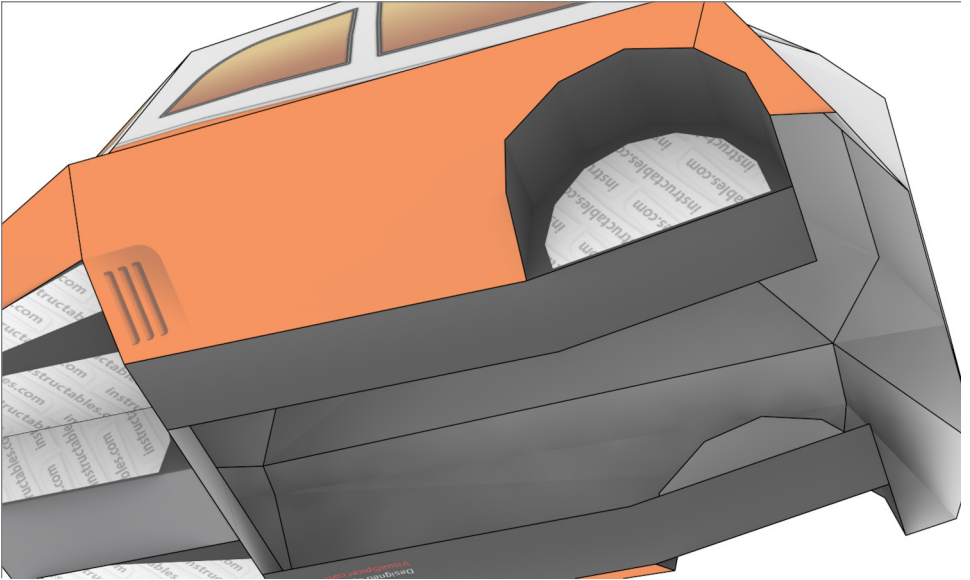
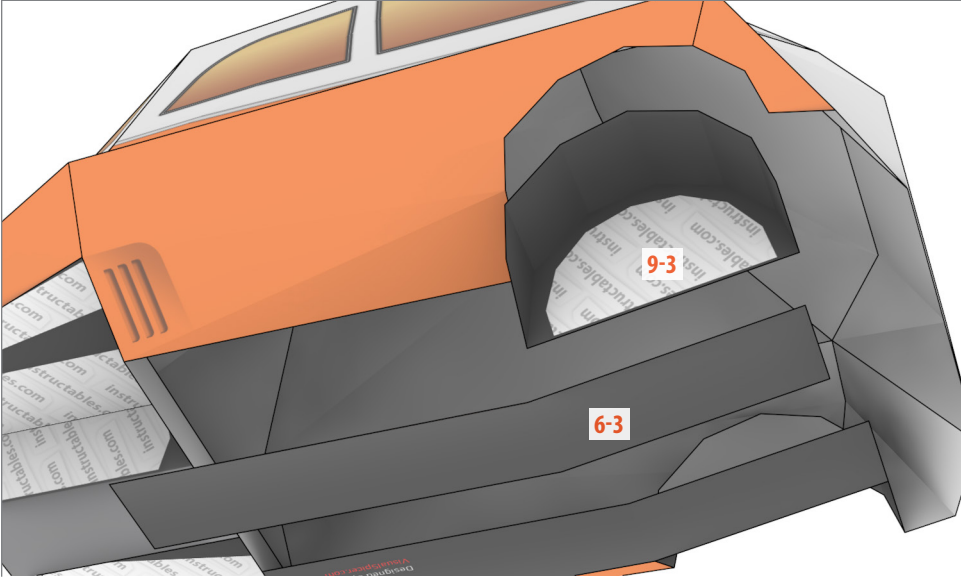
7

# INSTRUCTABOT GOES TO TOWN

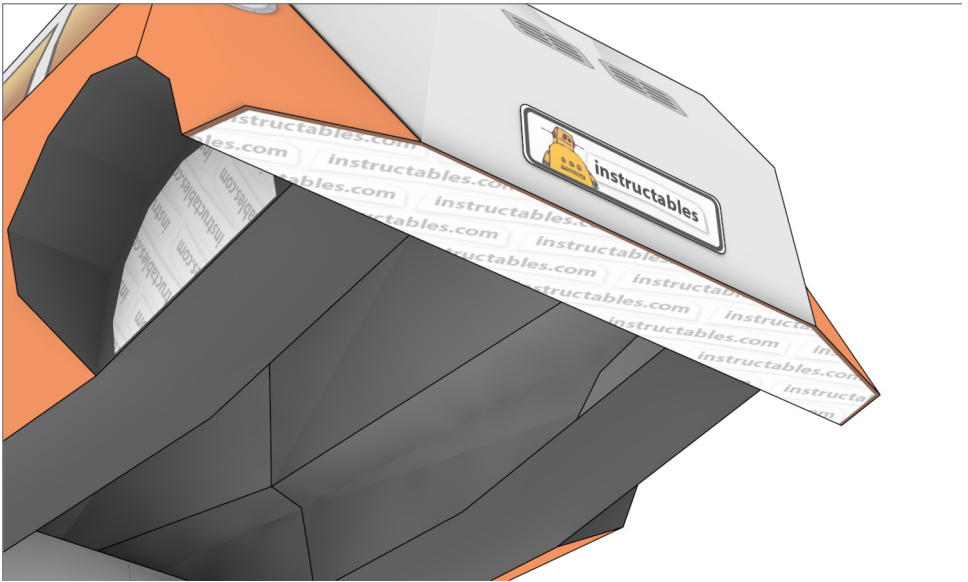
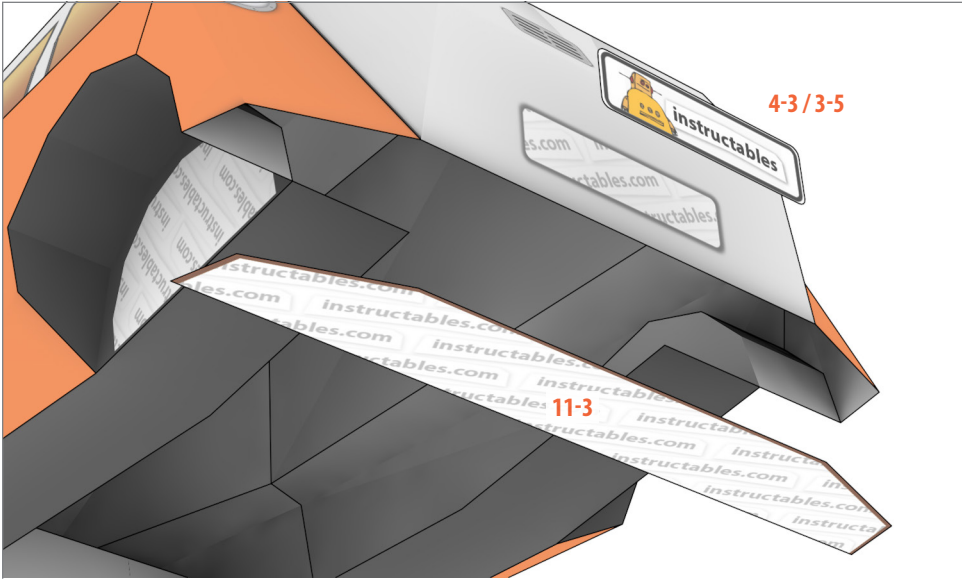


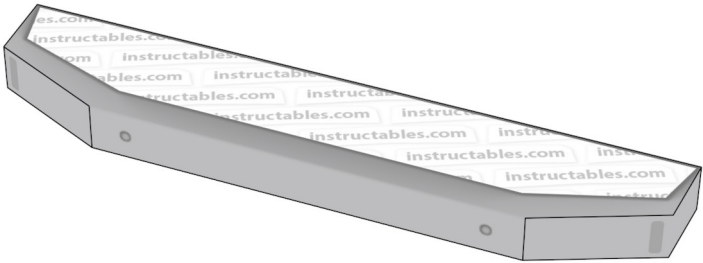
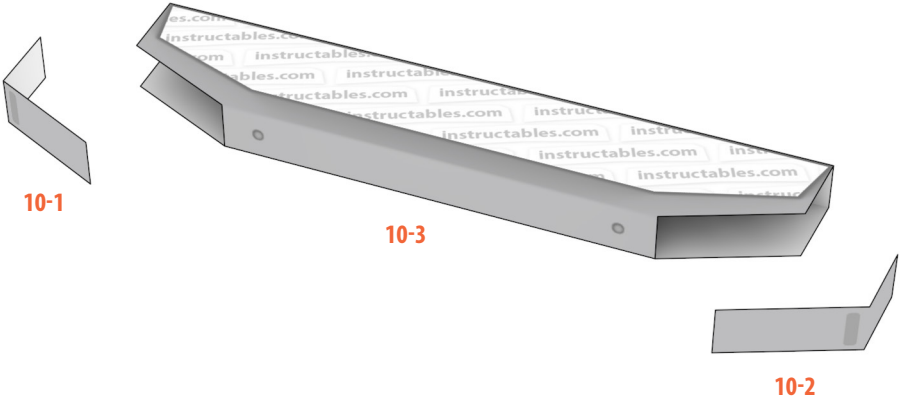
8

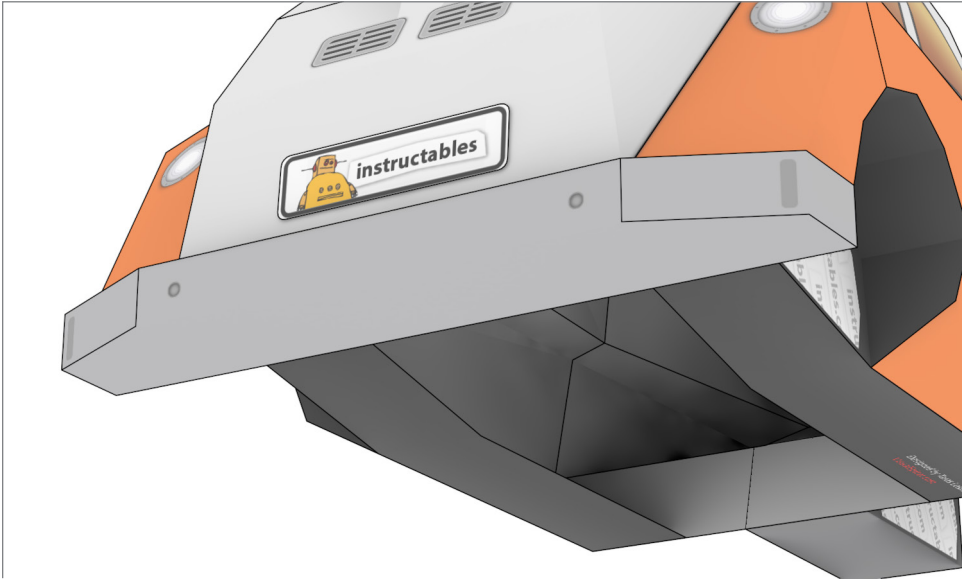
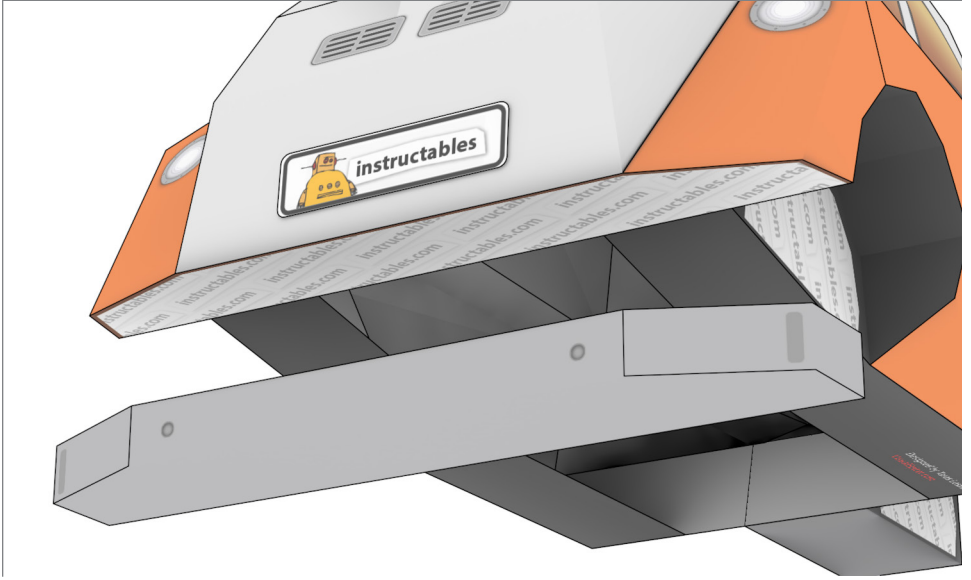
# INSTRUCTABOT GOES TO TOWN

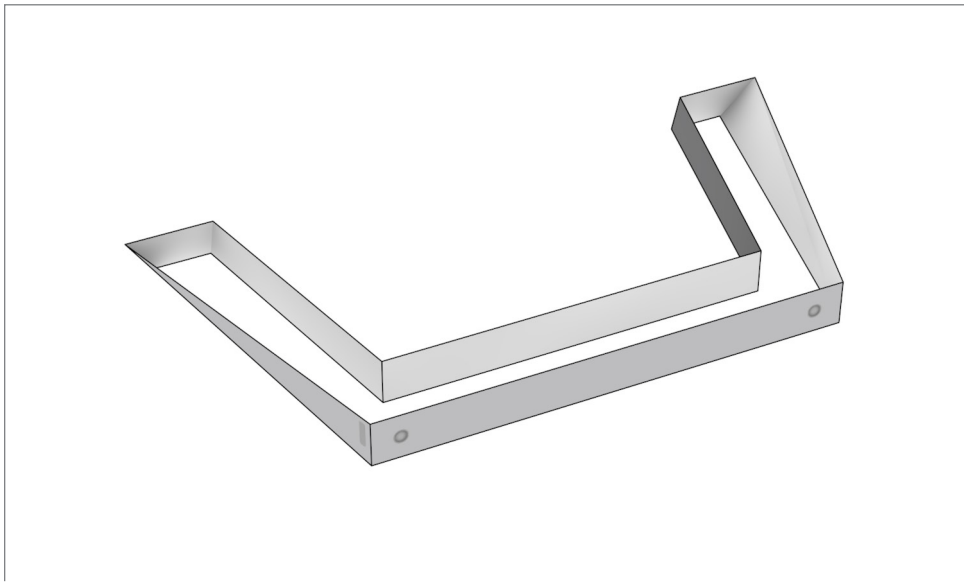
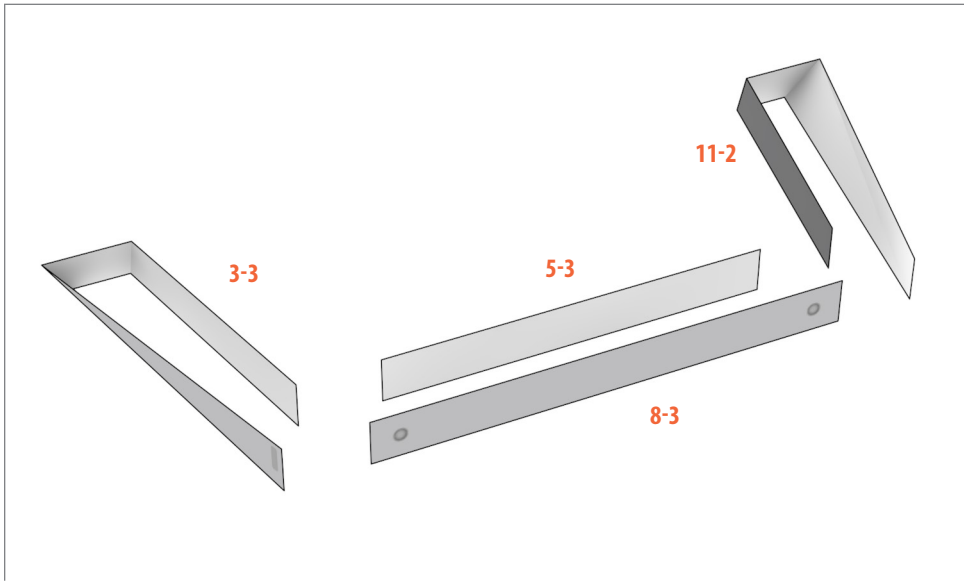


9

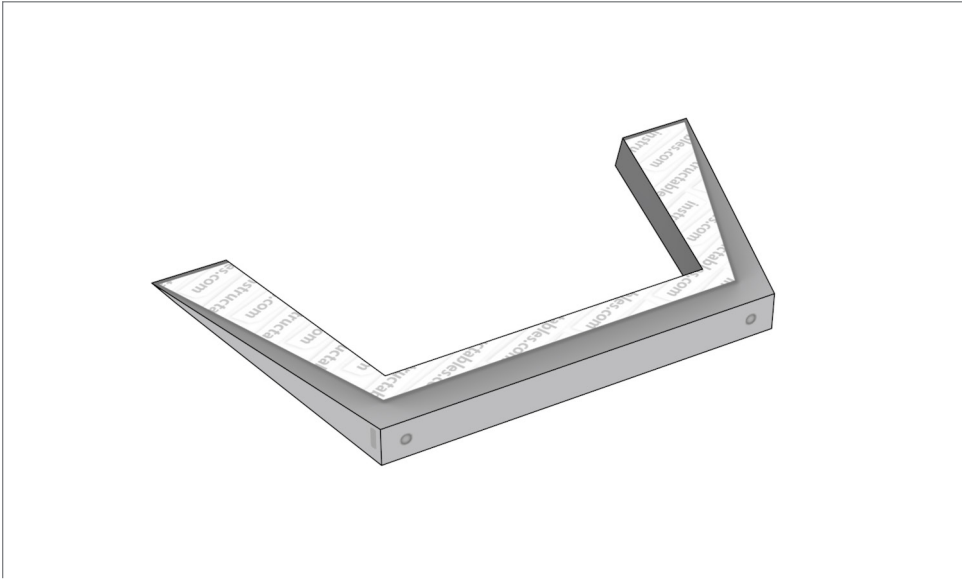
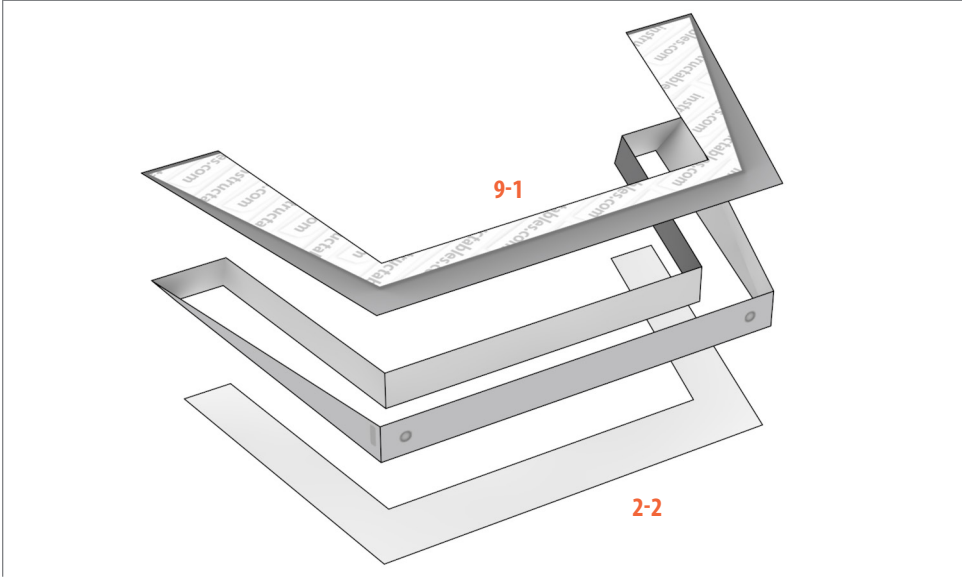


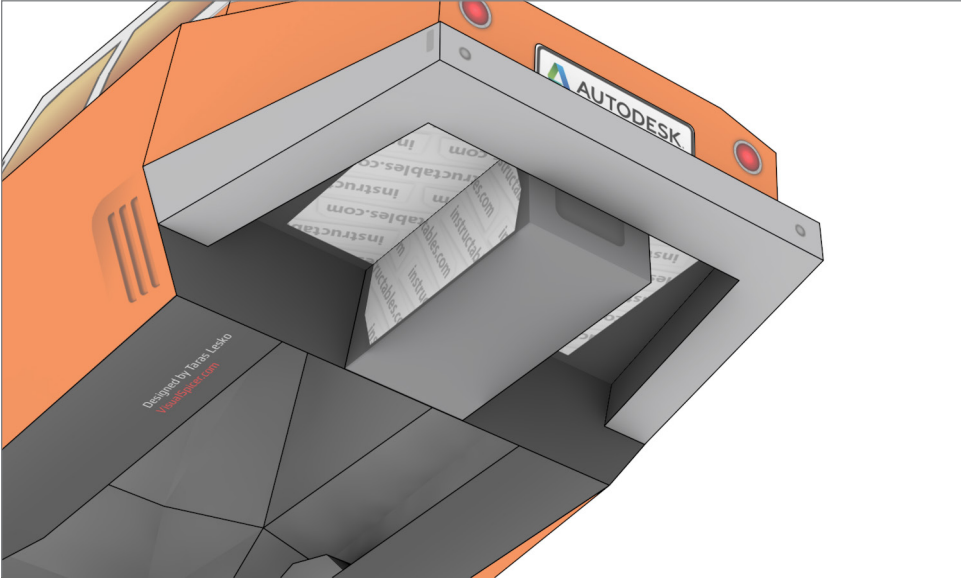
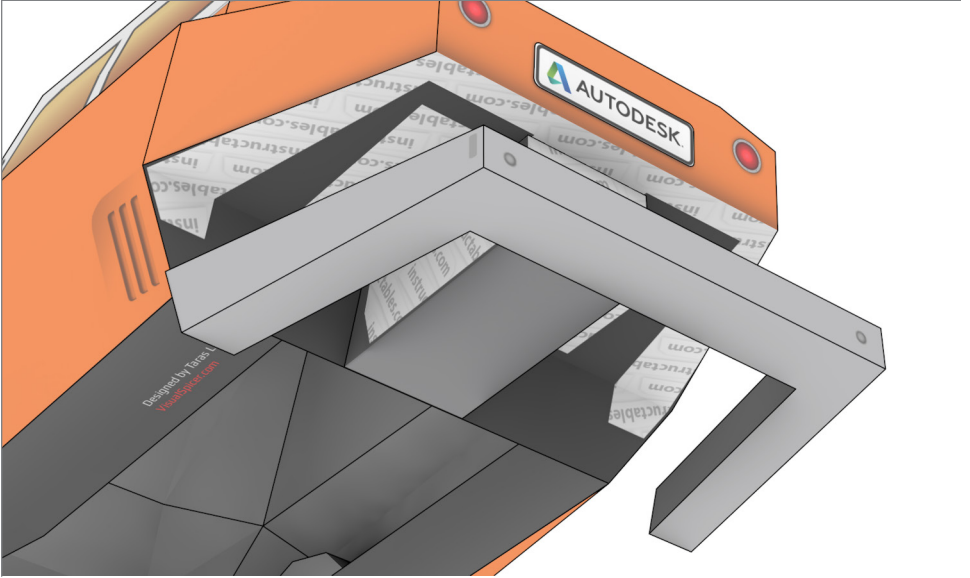


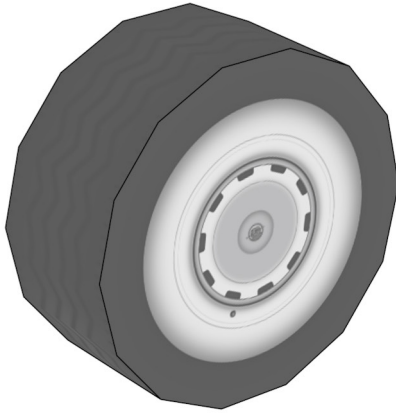
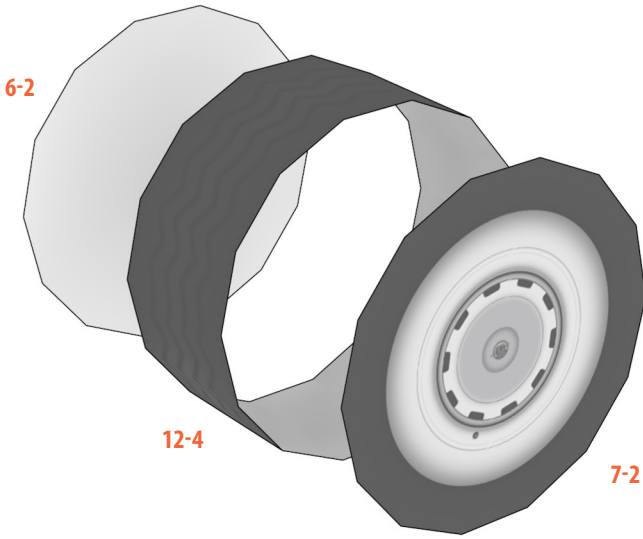




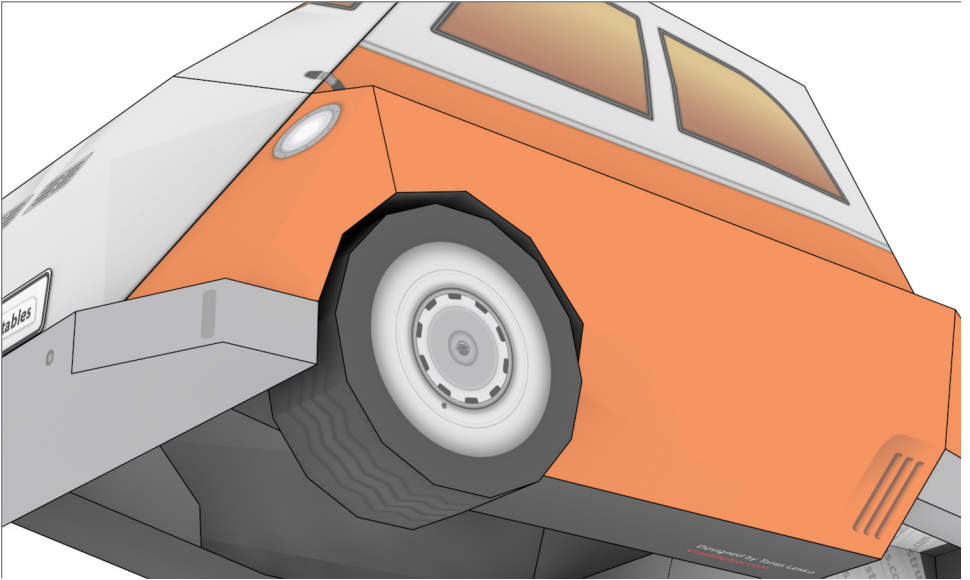
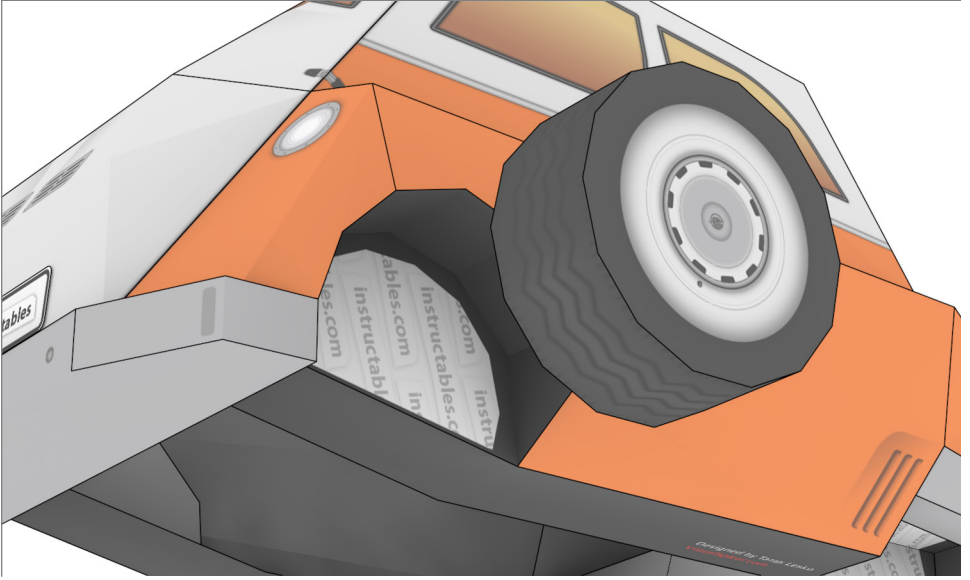




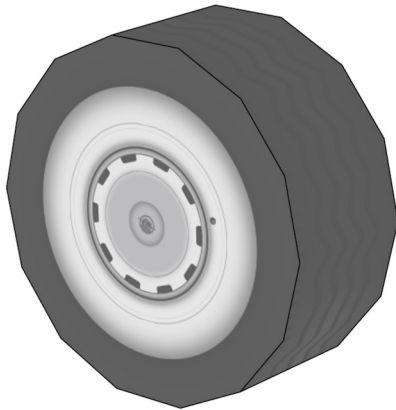
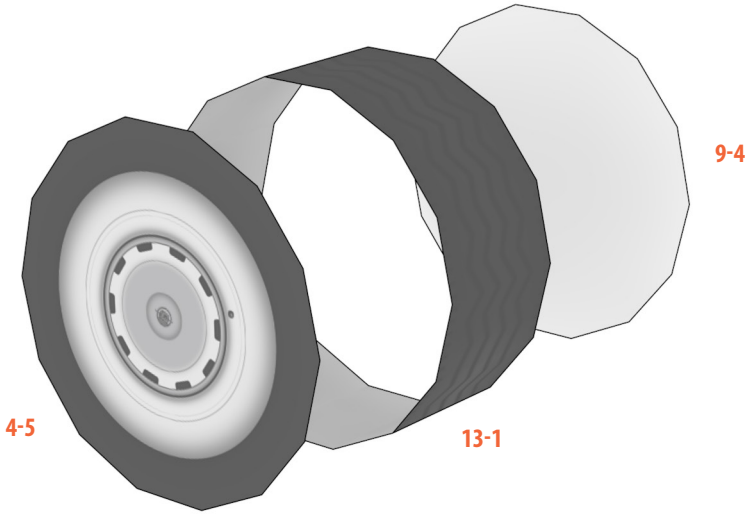


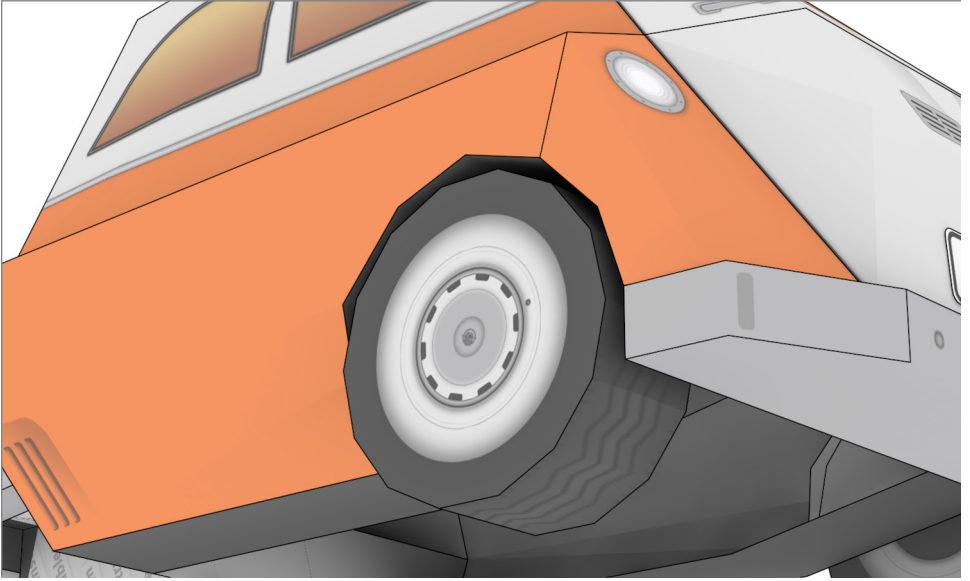
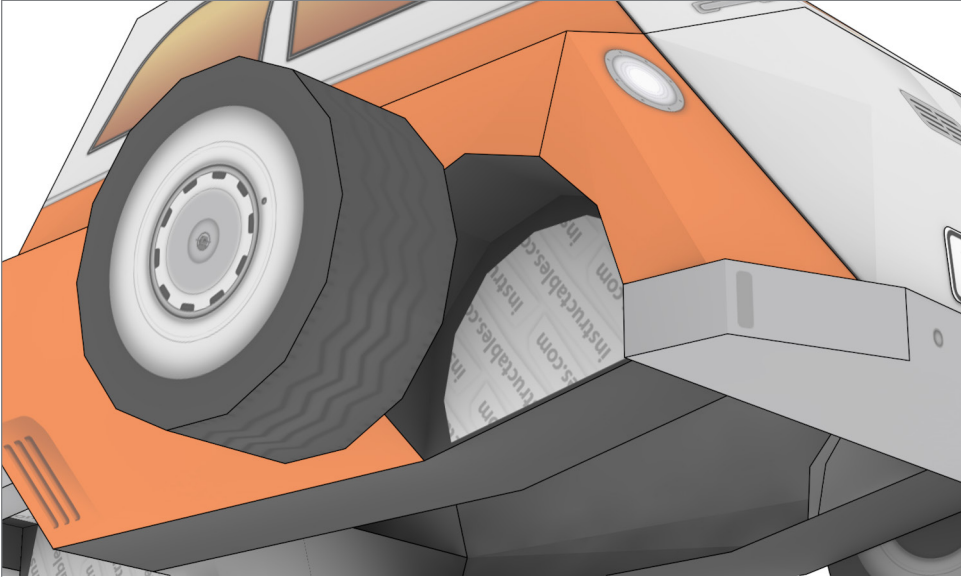


# INSTRUCTABOT GOES TO TOWN

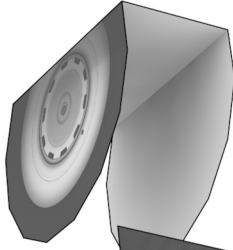


17

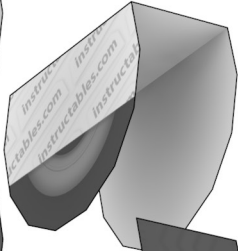




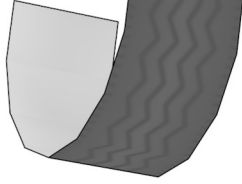
13-4



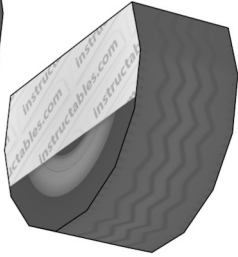
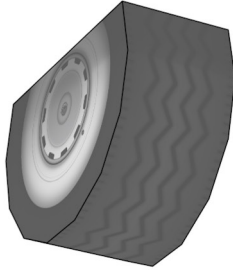
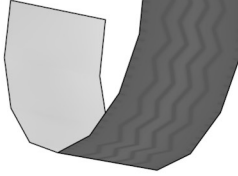
12-3



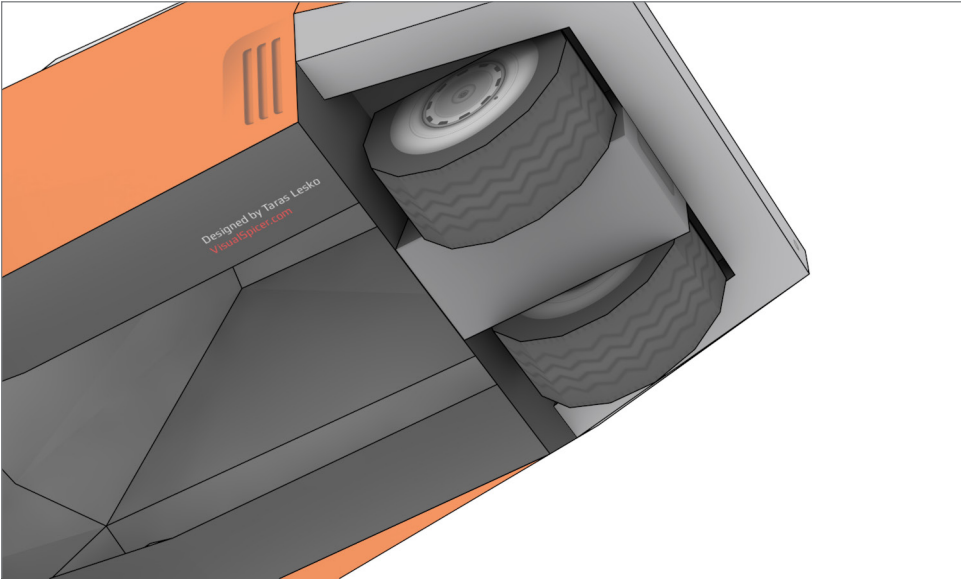
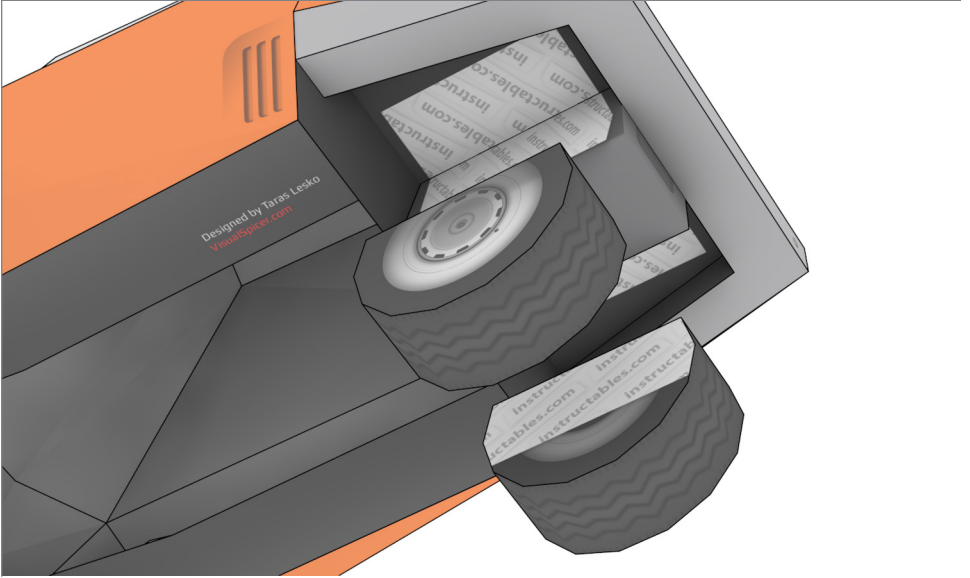
13-2



13-3



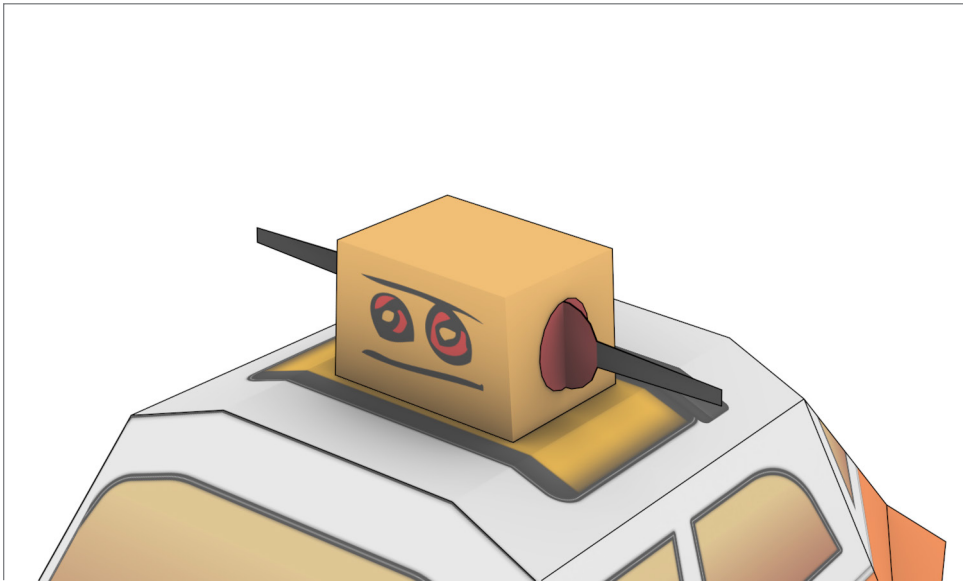
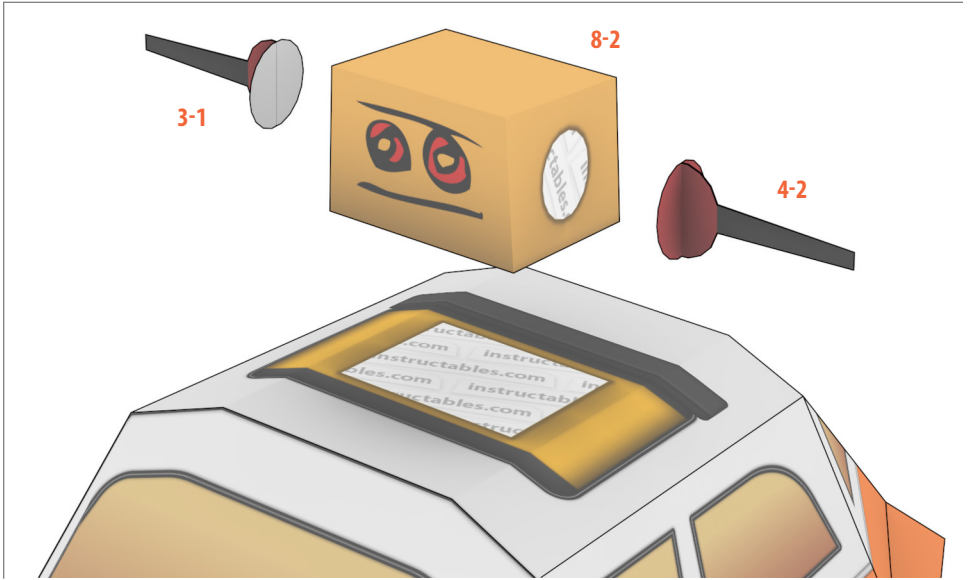
# INSTRUCTABOT GOES TO TOWN



21



## INSTRUCTABOT GOES TO TOWN



22



**THANK YOU**

For more check us out at [Instructables.com](http://Instructables.com).

