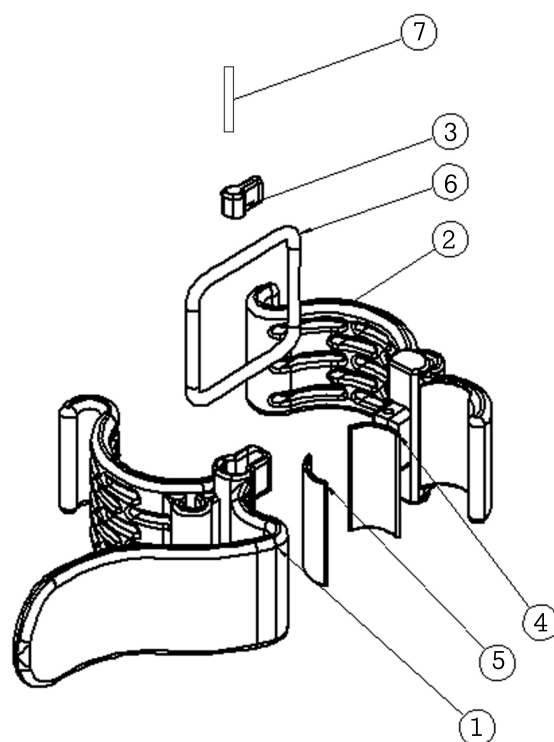
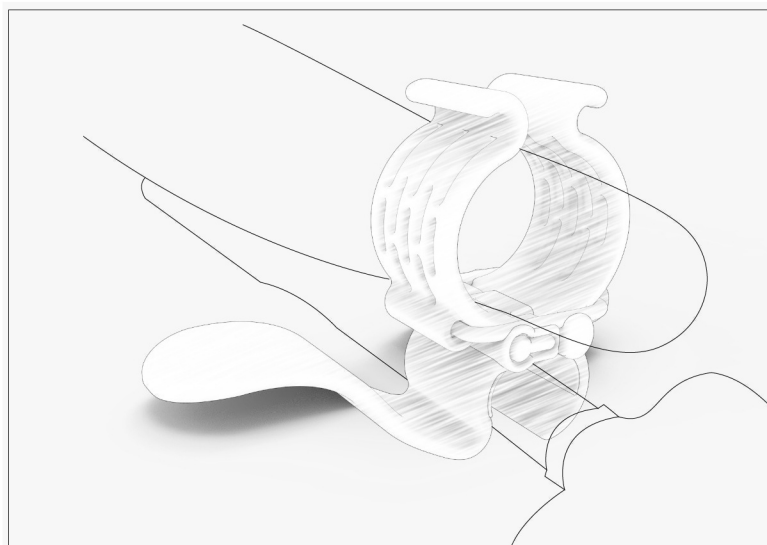
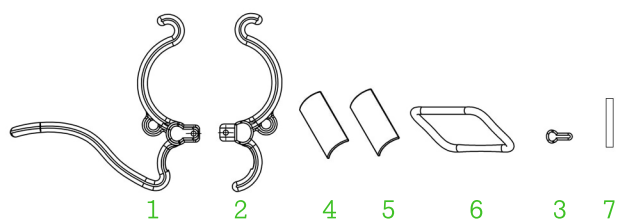


FIXPERTS/ Production instructions for: Garden Tool Grip for fingerless hand

07-2018



parts



BOM

#	Part Name	Dimensions	Material	Quantity	Production technology
1	Body 1	Attaches is STL file	PLA	1	3D printing - SLS
2	Body 2	Attaches is STL file	PLA	1	3D printing - SLS
3	Axle locks	Attaches is STL file	PLA	1	3D printing - SLS
4	Friction Strait	Silicone 1.5 MM	Silicone	1	Silicon surface
5	Friction Strait	Silicone 1.5 MM	Silicone	1	Silicon surface
6	rubber band	Textile rubber	Textile rubber	1	All textile rubber
7	Metal rod	metal 2MM	Steel	1	Extrude

Designed in Holon Institute of technology, Israel, By:

- Elinor Tal, email: elinortal93@gmail.com
- Nevo Fryd, email: nevo Fryd@gmail.com