

Installation Instructions



Please note- The firmware only works with the ESP32S3 Lilygo t-displayS3 Touch.

Here are some links to related videos on YouTube.

<https://youtu.be/HgioXripPSk?feature=shared>

<https://youtu.be/gyk2eq8ZymM?feature=shared>

<https://www.youtube.com/watch?v=cFctgusRfhY>

Here is a link to the Espressif Flash Download Tools required for uploading the firmware:

<https://www.espressif.com/en/support/download/other-tools>

To upload the firmware please follow the following steps:

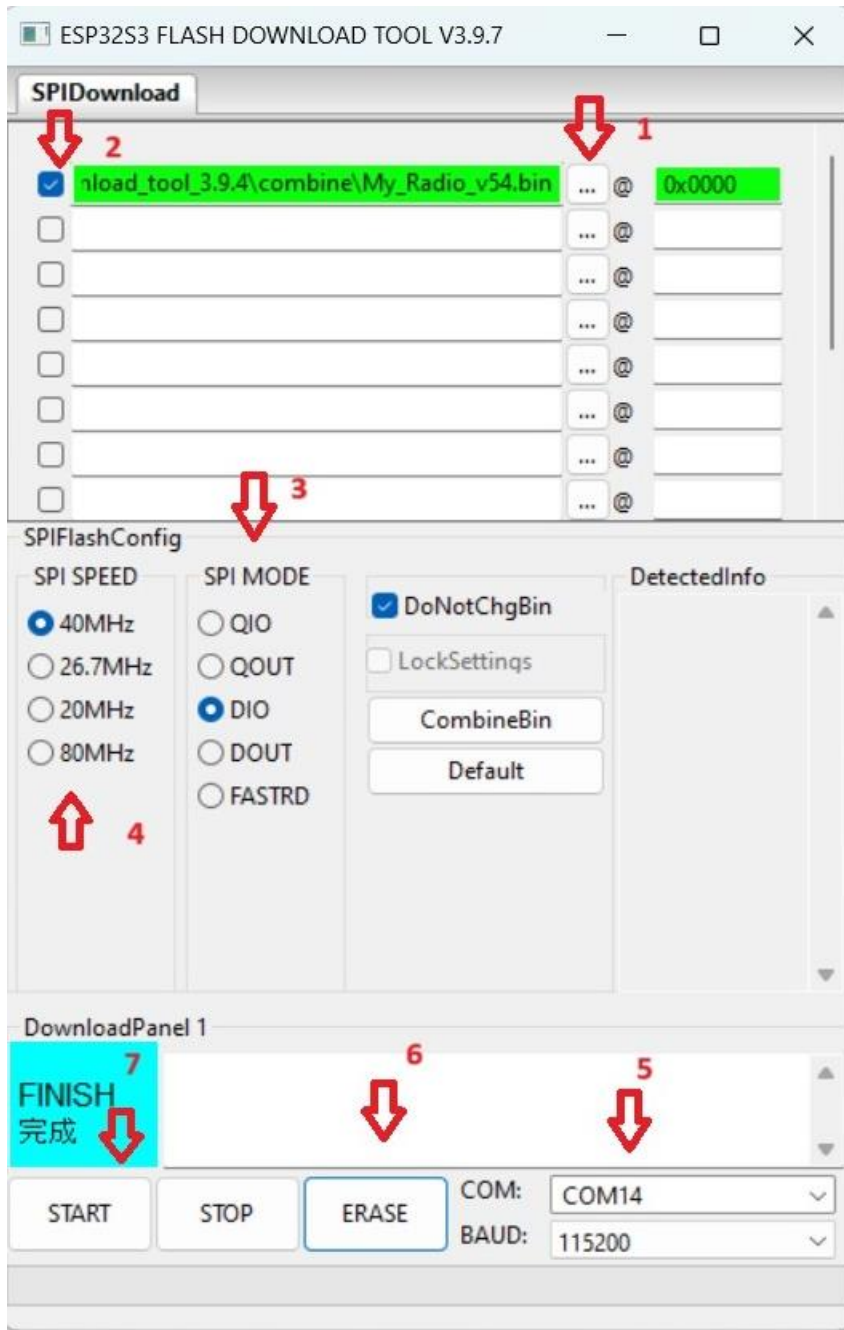
1. Download the Espressif Flash Tool or alternatively use the online tool
<https://espressif.github.io/esptool-is/>
2. Choose Chip Type: ESP32-S3, WorkMode Develop and LoadMode USB
3. Press the tree dots to select the files as follows:

My_Radio.bin 0x0000

Make sure that all the lines are marked green. If not green use the check mark on the left side.

Here is a screenshot of the flash tool:

Make sure to select your designated com port (located at the right bottom side)



It is recommended to press first on Erase to clean the memory.

To upload the firmware, press the start button.

One time connecting process:

1. After successful upload press the reset button on the ESP32 or disconnect the USB cable and reconnect it.
2. Wait for few seconds until network scanning is completed.
3. Open the Wi-Fi settings in your phone or computer browser and search for My_Radio network.
4. Go to the following address **192.168.4.1**.

http://192.168.4.1

My_Radio

AsyncWiFiManager

Configure WiFi



Configure WiFi (No Scan)

Info

Reset

5. Press "Configure Wi-Fi", Find your network and connect to that network using your internet password and press the "Save" button. This will connect the radio permanently to your home network.
6. Press the reset button of the ESP32 controller and wait until the Spiff file system formatting is completed (you will get a message on the LCD Screen).
 - a. When completed, looking at the RADIO LCD, you should be able to see the IP address that was assigned to your radio by your home router.
 - b. Open your computer web browser and type that IP address.

- c. Upload a single station or list of stations using the following format:

(example file with various stations can be found in the documentation folder, for testing just copy and paste that list).

Station Name 1, Station Address 1

Station Name 2, Station Address 2

Radio Ibiza, <http://ibiza-smooth-jazz.vip-radios.fm:8033/stream-128kmp3-ibizaSmooth>

Roma Radio, <http://nr9.newradio.it:9371/stream>

You can find and copy station URL's in the following web sites:

- <https://streamurl.link/>
- <https://fmstream.org/> (search for the desired station, click on it to start playing and copy the link from the player located at the bottom of the page)
- <https://www.radio-browser.info/>

or alternatively search YouTube for instruction video on how to get live radio streaming URLs. You can also have a look at <https://radio.garden/>.

For some stations that don't play or don't play well, and their URL starts with https:// try changing the URL to http:// and check if it is working.

7. The last step - Open the web page. At the bottom left corner of the page, you will see the following.

Your Internet Radio ID:

153963357526764

License Key

Enter your key Here:

Authenticate

The Station management system was tested and debugged only with Google chrome browser.

Please send me your RADIO ID to the following email themicromaker@yahoo.com

I will email you back the required License Key.

Web Interface Radio Station Manager access VIA Mobile Phone or PC/MAC

Radio Station Manager

Play Station

Enter Station Number:

PLAY

Play Previous

Play Next

Current Station

Station Number: 114

Station Name: Exclusively Italy

Volume Control

Volume: 79

Audio Equalizer

Bass (dB): -1

Mid (dB): -1

Treble (dB): 6

Save

Audio Mode

Mono

Stereo

Apply

Screen Saver

Enable Screen Saver

Save

Total Stations Stored: 115

Enter Station Name:

Enter Station Address (URL):

Save

Enter Station Number to Erase:

Erase

Station 149

Station Name: Classical Music

Station Address: <https://stream.epic-classical.com/classical-n>

Station 150

Station Name: WFMT Classical

Station Address: <https://wfmt.streamguys1.com/main-mp3>

Station 151

Station Name: Radio Italy

Station Address: https://sphaera.fluidstream.eu/rpd_hita.mp3

Station 152

Station Name: Top Italia

Station Address: <http://streaming.cst98.com:8000/tir320.mp3>

Station 153

Station Name: Nostalgia Italia

Station Address: <https://scdn.nrjaudio.fm/adwz1/fr/30663/mj>

Enter Station List (one entry per line in the format 'Station N

Use the following format:

Station Name 1,Station Address 1

Station Name 2,Station Address 2

My Favorite Station,<http://123.456.789.0/stream>

Awesome Hits Radio,<http://stream.awesomehitsradio.com>

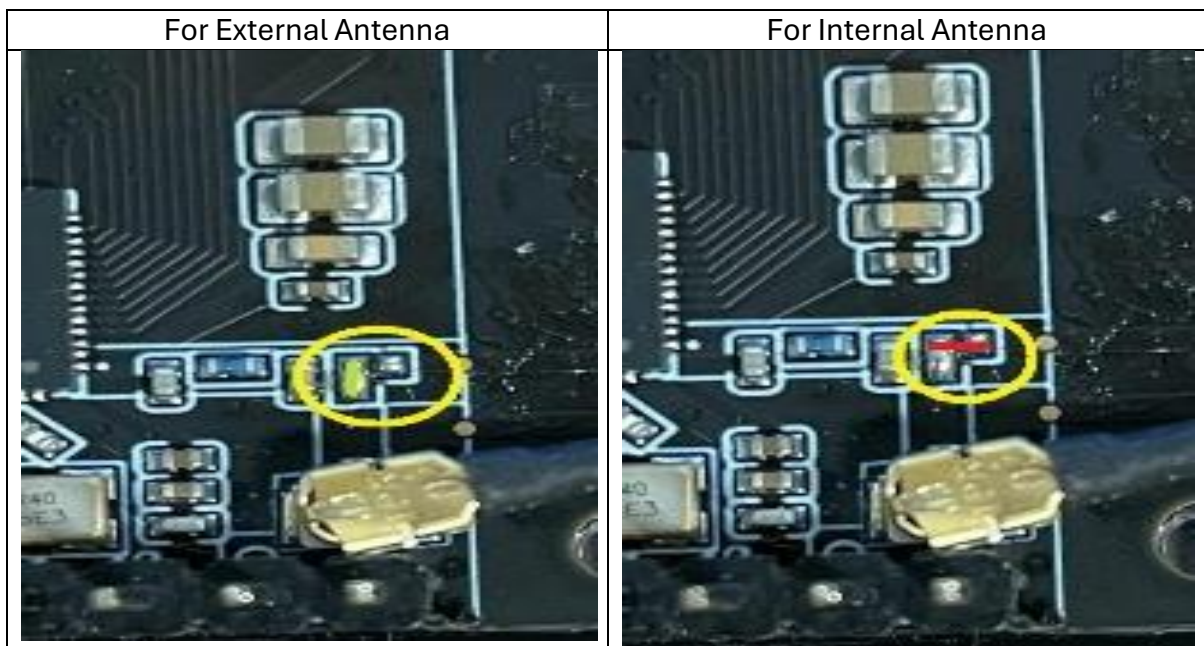
[Update Stations](#)

Connection Diagram

Following is the connection diagram for using the Max98357a chip (if you use pin header you don't need to connect wires as the pins are arranged correctly). Connect the I2S DAC to the following pins as shown in the picture: BCLK to pin 12, LRC to pin 11, DOUT to pin 13, VCC to 5V, GND to GND (Required by some other DACs - MCLK to pin 10).

Notes:

1. The boot_app0.bin file is included with the Lilygo flash tool in the bin directory.
2. An I2S DAC is required for this project, Amplifier is optional. In general, all 16 bit DACs that have the DIN, BLCK and LRC pins. PCM5102A delivers stereophonic good results.
3. For some stations that don't play, and their URL starts with <https://> try changing it to <http://> and check if it is working.
4. **Important Note: The WIFI Internal antenna of this LilyGo Board is not optimal. It is essential to use antenna to enhance the Radio Reception when your router is far away.** For the antenna to work you will need to move on the PCB the 0 ohm resistor (short) from external antenna to internal antenna (you don't need the actual 0 ohm resistor just short it). You can refer to this article for detailed explanation: <https://randomnerdtutorials.com/esp32-cam-connect-external-antenna/> Or YouTube video <https://www.youtube.com/watch?v=aBTZuvg5sM8>



Note: If you purchased a kit the above external antenna fix is already been done, just connect the supplied antenna using the IPEX connector.

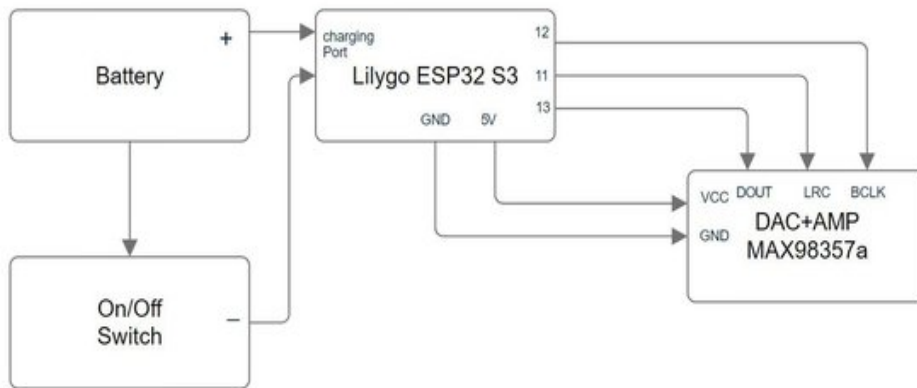
Installation & Components Layout

After uploading the firmware and soldering the Max98357a as described above and testing that the radio is working you can start mounting all the components inside the enclosure.

1. Place the enclosure on a flat surface face down. Place the LCD screen in its designated location with the LCD facing down making sure it is flashed with the enclosure surface.
2. Using a hot glue gun drop a little glue on each corner of the LCD back side to secure it to the enclosure.
3. Place the speaker on the left corner of the enclosure and use the hot glue to secure it. Make sure not to drop glue inside the speaker as it will affect its performance. Also make sure that the speaker terminals don't interfere with the battery holder (try to fit both at the same time just to make sure they fit together).
4. Place and glue the battery holder on the bottom of the enclosure (red wire + , should be on the left side closer to the speaker).
5. Place and glue the antenna on the inside top of the enclosure by peeling the glue cover sticker of the antenna. Now you can connect it to the microcontroller board using the UTX connector (make sure to follow the instructions above on how to switch from internal antenna to external antenna). Using external antenna is not mandatory as you can still use the internal antenna and completely skip this process but it will affect the Wi-Fi reception distance.
6. Place the switch inside the enclosure and connect it between the microcontroller and the battery using the designated cable which can be found inside the microcontroller box.
7. Install the battery and connect the USB charging cable. You will see a red LED lighting. Find the small Acrylic tube located inside the enclosure. Place it right above the RED charging indicator LED (see photo ABOVE) and make sure that the light penetrate to the outside of the enclosure. Using hot glue secure it to the right place.
8. After making sure all the components are secured closed the lid by popping it in.

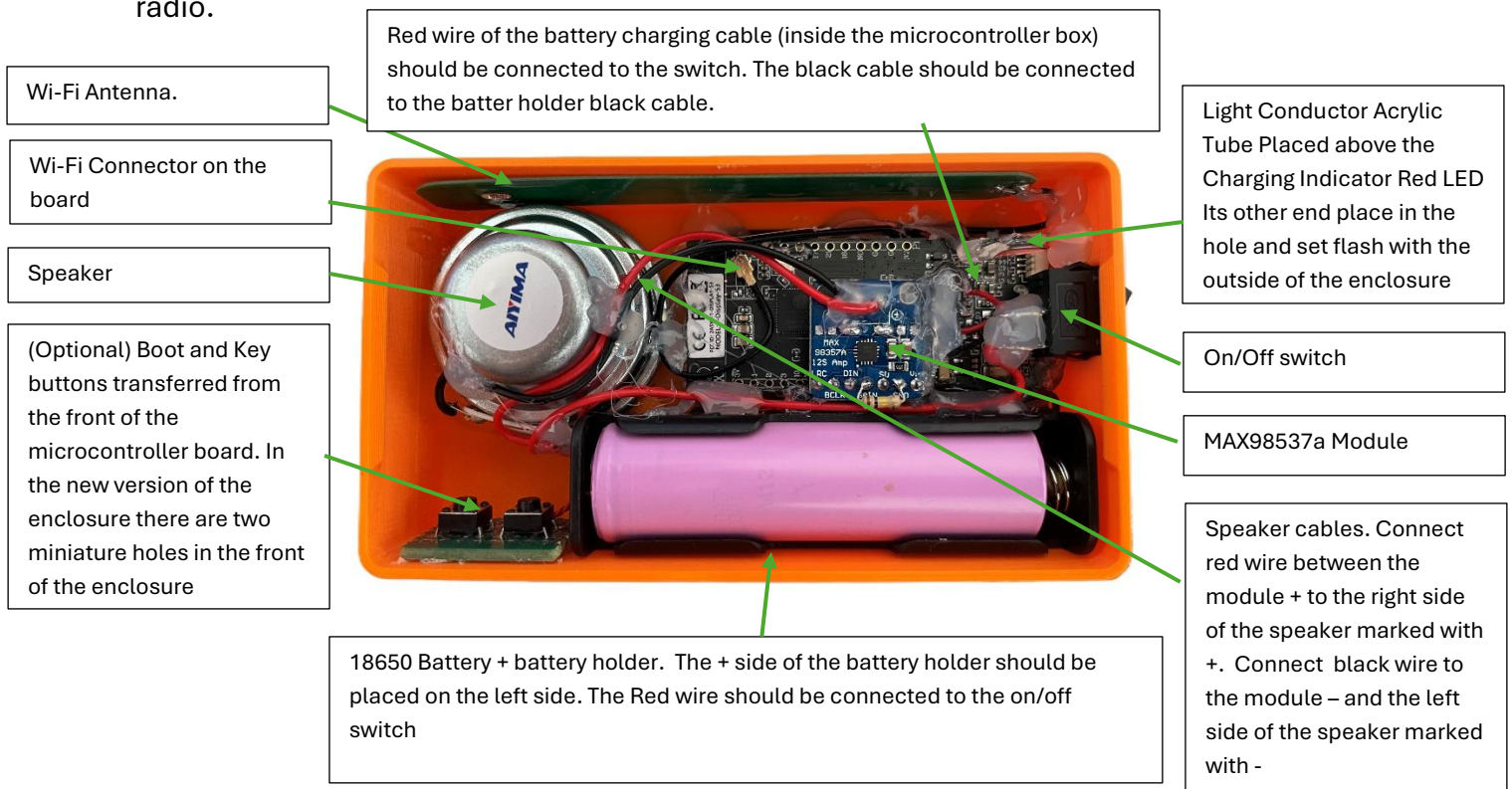


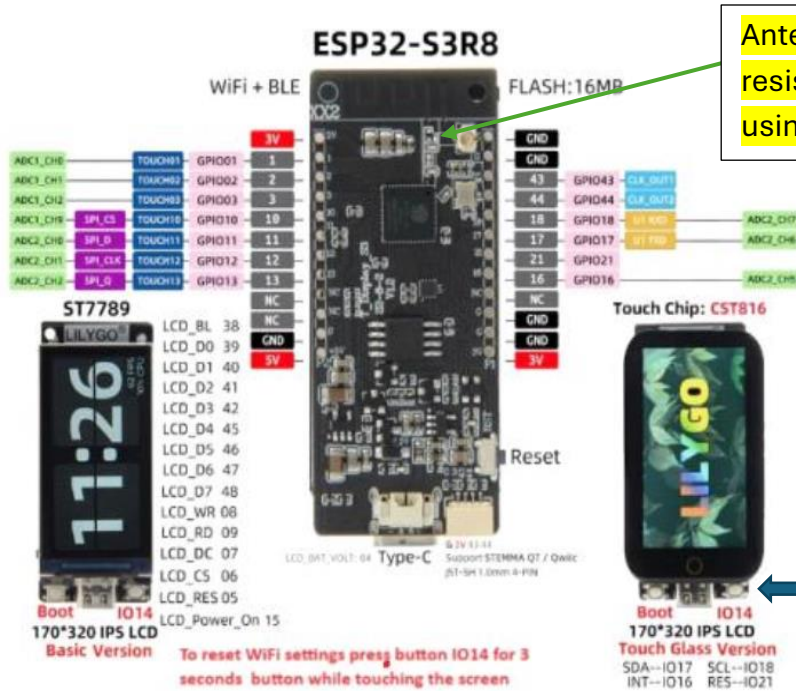
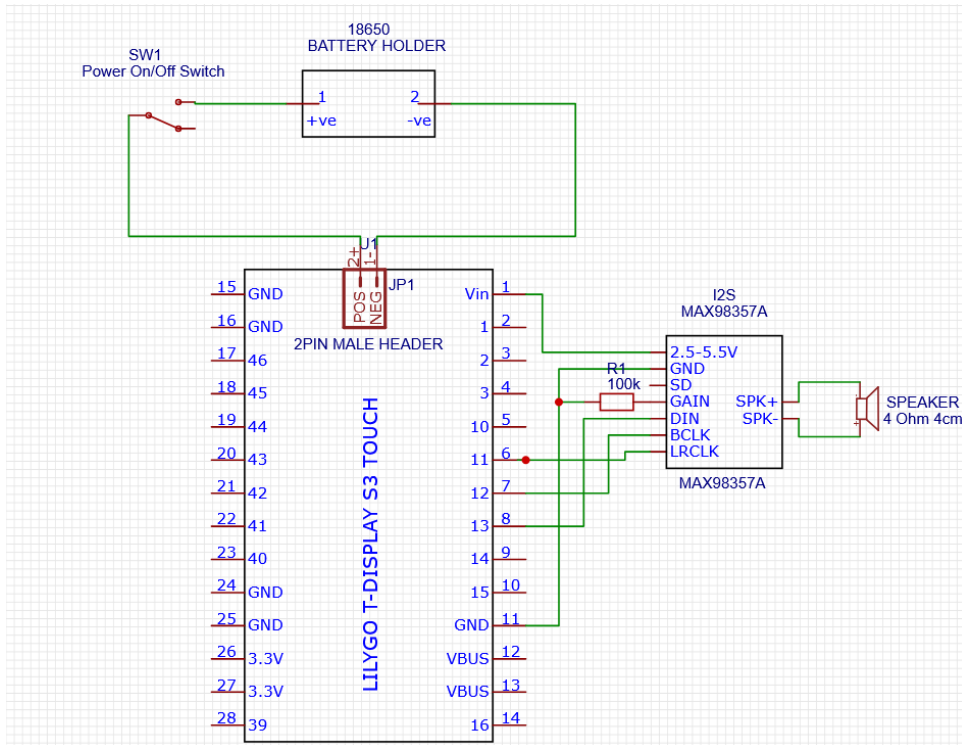
Connection Diagram



- To reset Wi-Fi settings - Press the reset button and IO14 (Key) button together. Release the reset button while keep pressing IO14 for at least 3 seconds until you get a message on the LCD that Wi-Fi setting has been erased (The Key - IO14 button is located on the left bottom side- see photo).
- To activate boot mode – sometimes it is required when upgrading the firmware. press the boot button together with the reset button. Release the reset button while keep pressing the boot button. Now release the boot button. You will see a black screen. The radio is now in boot mode.

If you don't have access to the reset button you can press one of the above buttons (IO14 or boot buttons depend on what you need to achieve) and while pressing power on the radio.





Antenna connector and 0 ohm resistor replace with short for using external antenna

Key- IO14

LILYGO T-Display ESP32-S3
1.9 inch ST7789 170*320 IPS LCD (Basic & Touch)

Enclosure V2

Two miniature holes in the front of the enclosure Key and Boot buttons.

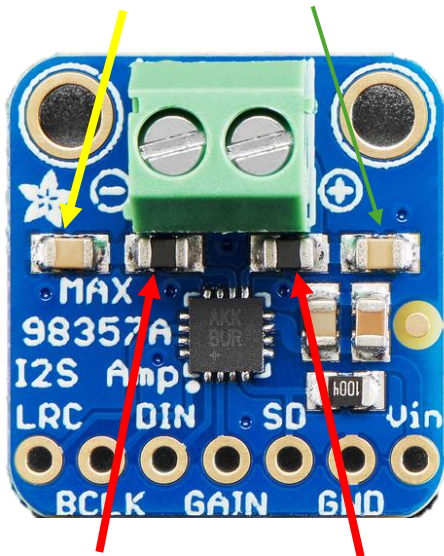
To read more about the functionality of these buttons go to the Connection Diagram chapter.



The back lid is held in place by two grooves on the left and right sides of the enclosure. To open the enclosure, simply pull up the back lid from the middle and pry it until the lid comes off. To close the enclosure, insert one side first and then push in the second side.

MAX98357A Module Sound Improvement (Optional)

For slight clearer sound
Remove these 2 capacitors



Remove these 2 ferrites and solder short between the pads instead.

For increasing the MAX98357a amplification connect the **Gain** pin to the **GND** pin for additional +3db.

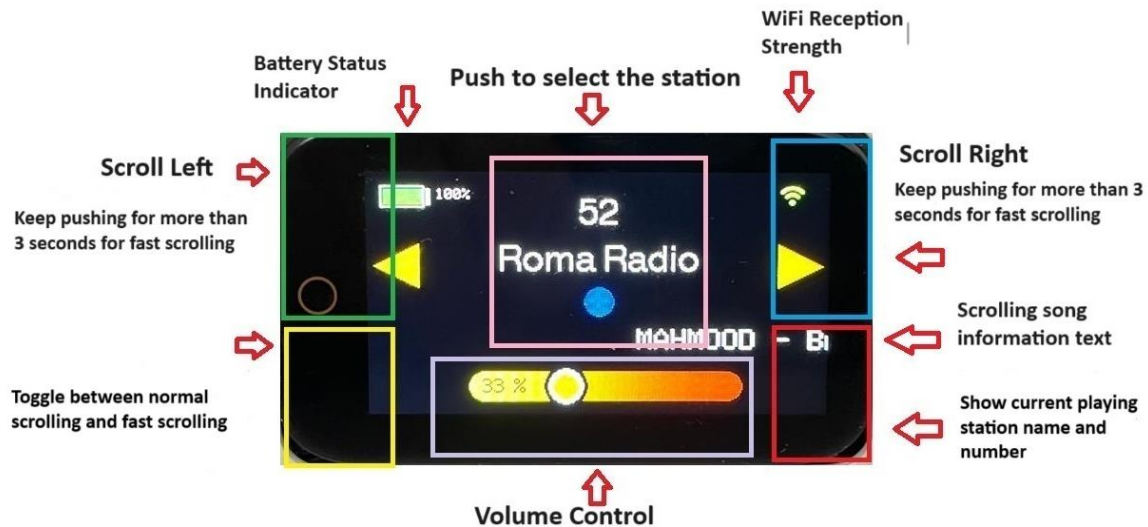
OR

Connect 100k ohm resistor between **Gain** to **GND** for additional +6db.

Gain Selection	
GAIN_SLOT	GAIN
Connect to GND through 100kΩ resistor	+15 dB
Connect to GND	+12 dB
Unconnected (Default)	+9 dB
Connect to VDD	+6 dB
Connect to VDD through 100kΩ resistor	+3 dB

Operation Instructions

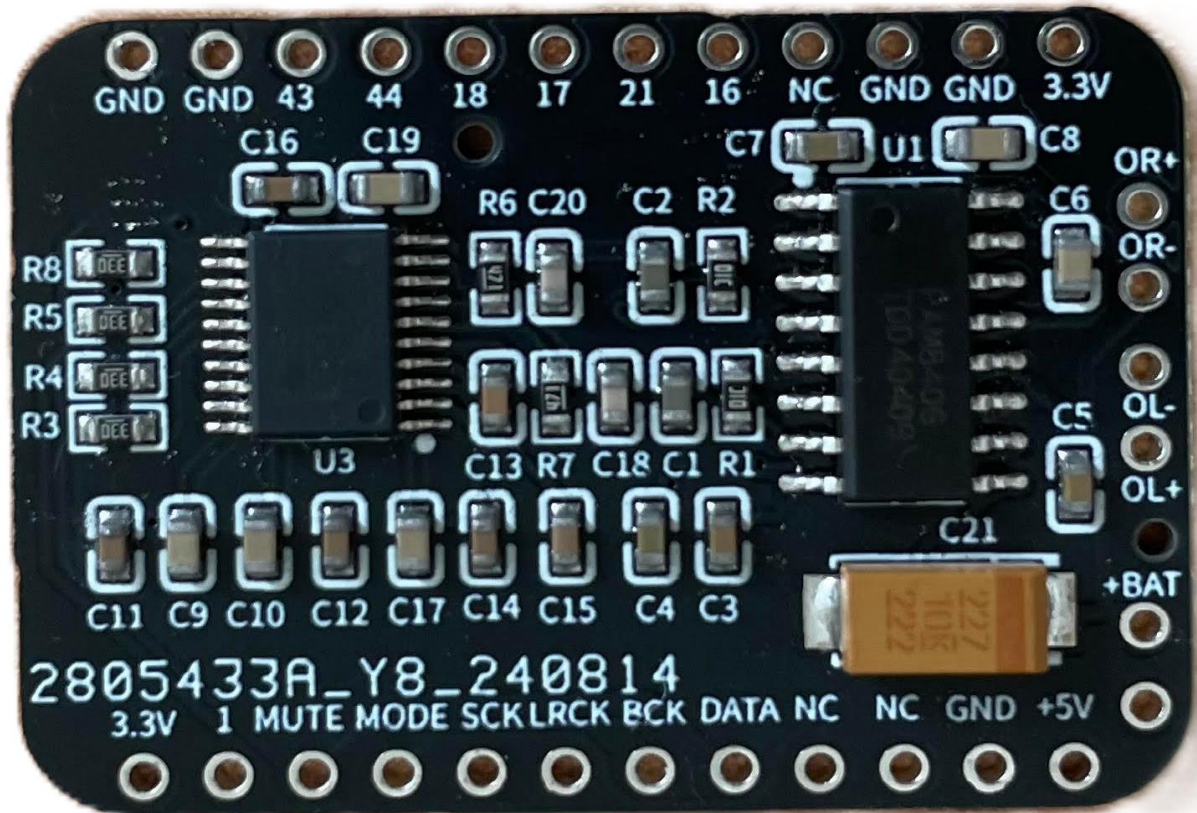
Screen Functions



- You can charge the battery using a standard 5V USB-C charger.
- **When using the following connection topology, in order to charge the battery it is required to leave the On/Off switch in the On position while charging the battery.**
- You can listen to the radio while charging the battery or you can switch to **Silent Charging Mode**. Just choose your preferred option from the web station management system. The radio automatically detects when a USB-C cable is connected.
 - Unchecked Mode - you can listen to the radio while charging.
 - Checked Mode - once you connect the USB-C cable the radio will go to sleep mode while keep charging. To wake up the radio take out the USB cable and tap the screen (requires a radio restart the first time after checking this checkbox).
- To fast scroll stations you should press left or right arrows on the LCD for more than 3 seconds.

Custom Made Module

Stereo PCM5102a DAC + Stereo 2x6W Amplifier

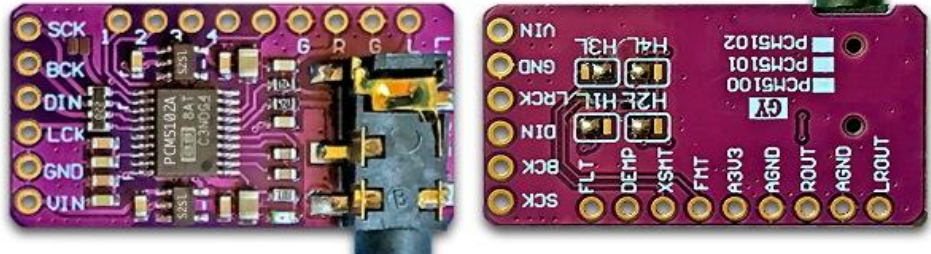
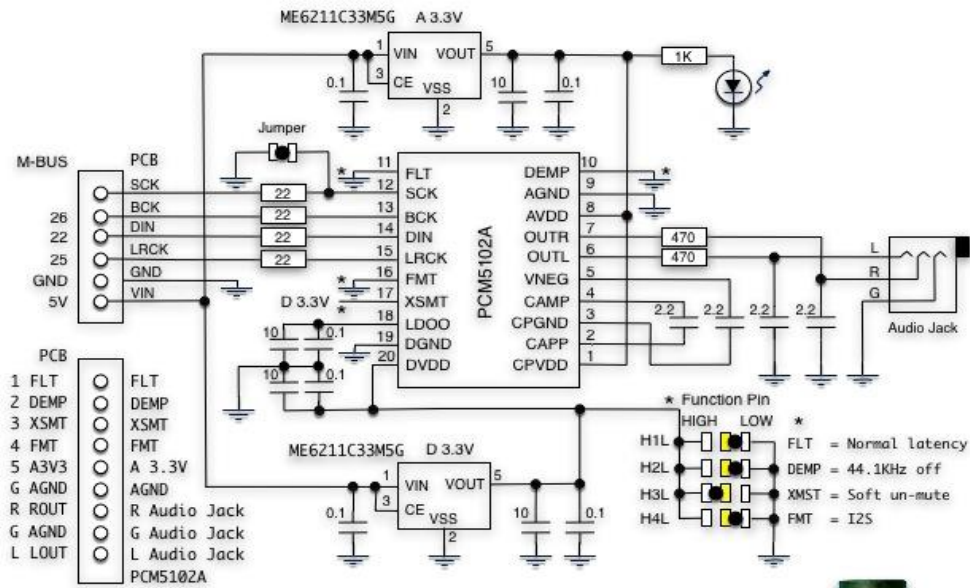
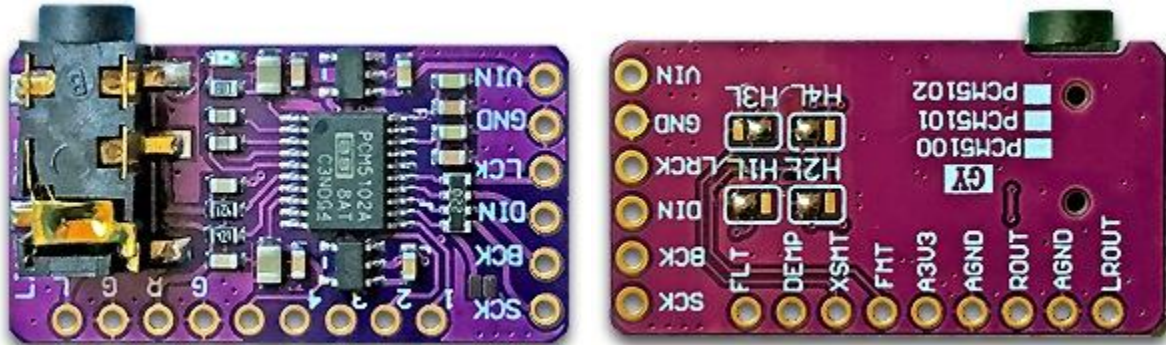


This is a proprietary Stereo DAC + Amplifier in one module. This Module was designed specifically for that Internet Radio. It was designed to sit on top of the Lilygo T-Display S3 Microcontroller in order to simplify connectivity. The only wires required are for the two stereo speakers. This is a Stereo alternative to the Mono MAX98357a module offered with the KIT.

This module utilizes the excellent quality Stereo PCM5102a DAC combined with the PAM8406 powerful 2x6W Stereo Amplifier.

Using a Standard Of The Shelf Stereo PCM5102A DAC Instead of the MAX98357a

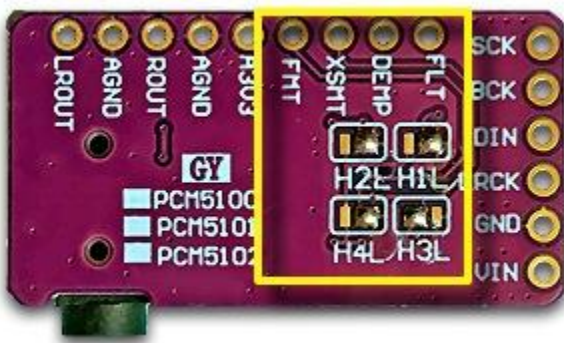
The standard, of the shelf PCM5102A I2S DAC Module can be used instead of the Max98357a module but this module provide only headphone output. A separate amplifier is required. Power supply (VIN) is 5Vdc or connect the A3.3v to the 3V3 Pin of the microcontroller.



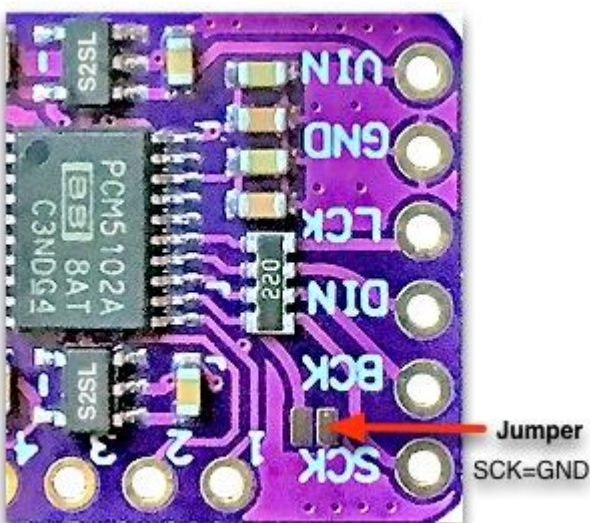
PIN FUNCTIONS: Select = RED: Selected state at time of purchase.

Make sure the soldered jumpers are set as in the photo below.

H	Name	Description	LOW (GND)	HIGH (D 3.3V)
H1L	FLT	Filter select	Normal latency	Low latency
H2L	MUTE	De-emphasis control for 44.1kHz sampling rate	Off	On
H3L	XMST	Soft mute control	Soft mute	soft un-mute
H4L	FMT	Audio format selection	I2S	Left justified



Connecting SCK-GND on the board with the wiring below. Generate the system clock using the PCM5102A's internal PLL. This is required to Prevents dielectric noise (if exist). It might work fine even if not connected.



Note that this DAC doesn't have an internal amplifier. It only has an internal pre-amplifier that can drive headphone. In order to use speakers you will need to connect it to an external amplifier or amplifier module.