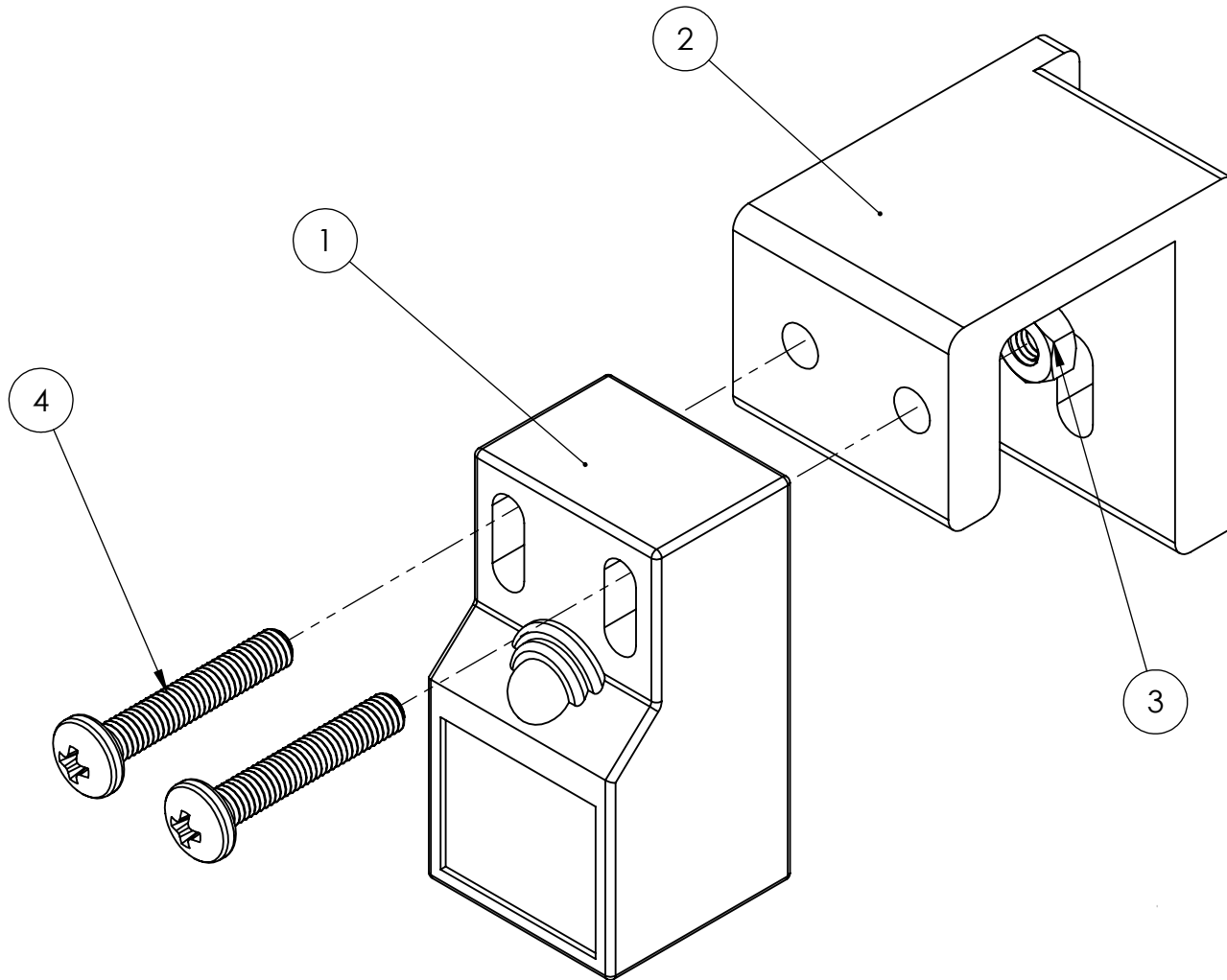


ITEM NO.	PART NUMBER	QTY.
1	Induction sensor	1
2	Induction-sensor-holder	1
3	M3 Hex Nut	2
4	M3 Pan Head x 18mm	2



COMMENTS:	SIZE	TITLE:	REV
	A	Induction-Probe-Mount	
	SCALE: 2:1		SHEET 1 OF 1

5

4

3

2

1