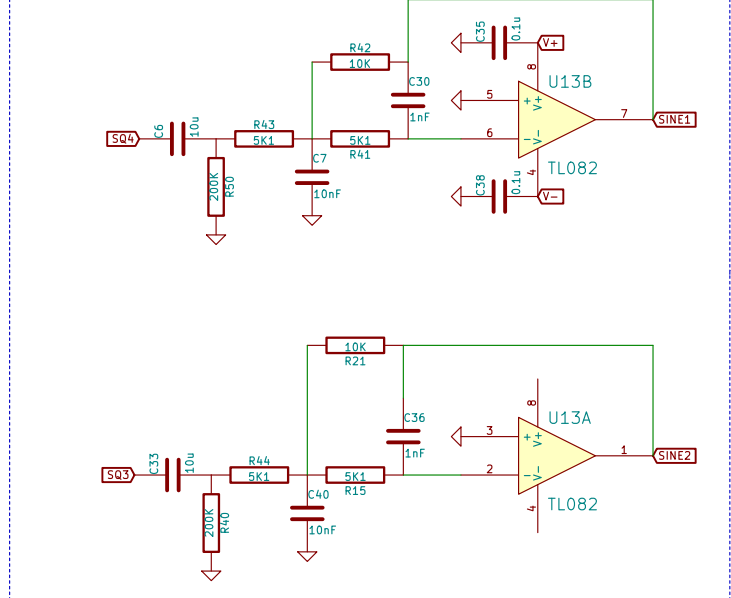


4-Channel DAC. Used for PV1(+/-5V) , PV2(+/-3.3V) , PV3 (0-3.3V) , PCS (0-2mA) And associated analog circuitry

Sine Wave generator filters (Simulated for 5Hz to 5KHz at Okawa-Denshi)



Expansion

