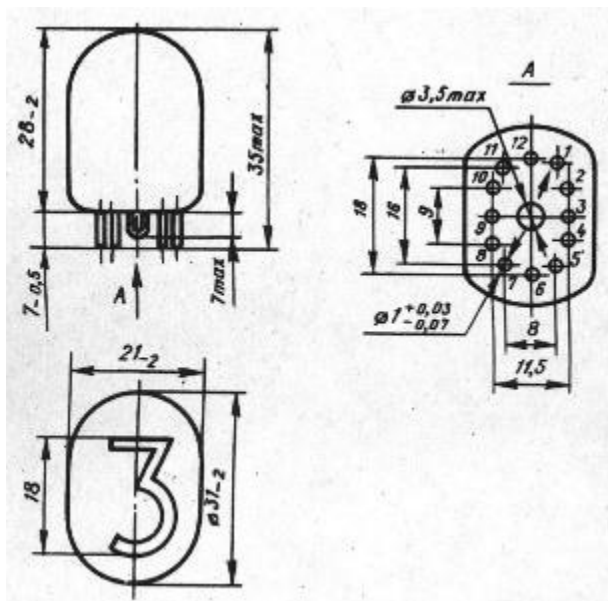
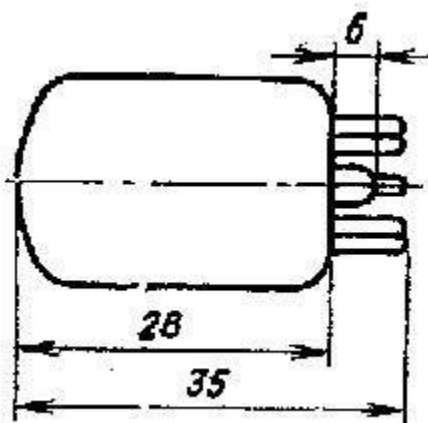
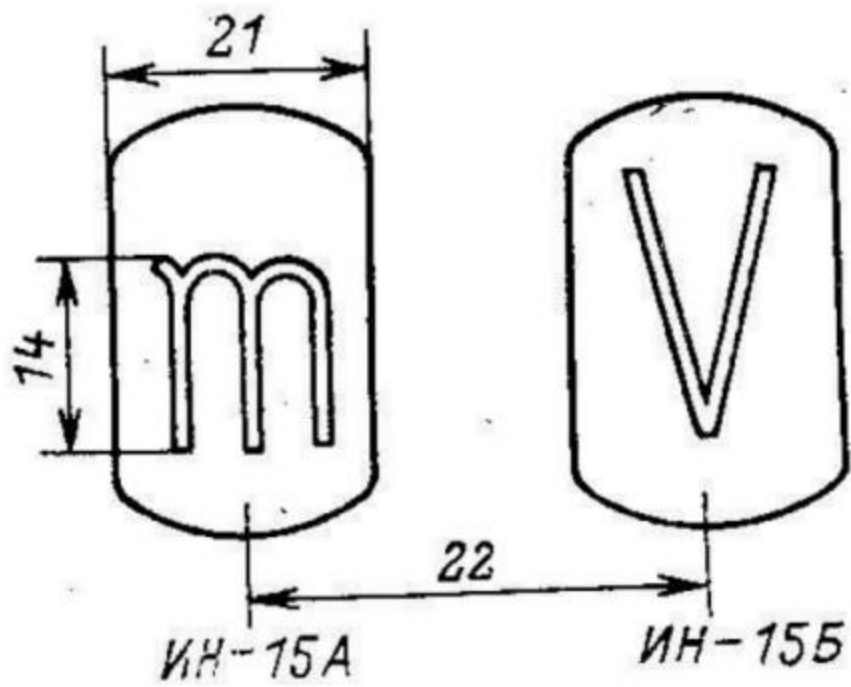
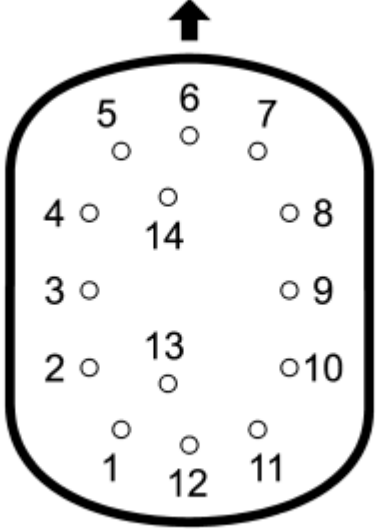


Tube Data / Tube Data			
German	english		
Type	grade		IN-15A
Manufacturer	fire		Reflector / Sovtek
Compare types	Substitudes		-
symbols	Displayed symbols		+, -, %, M, k, m, μ , n, P, Π
Symbol height	Icon height	mm	18
Length x width	Length x width	mm	21 (0.827 ") x 31 (1,220")
Total height	Total height	mm	35 (1.38 ")
pin diameter	Pin diameter	mm	1.02 (0.040 ")
minute operating voltage	minute supply voltage	V	170
typical burning voltage	typ. maintaining voltage	V	150
Operating cathode current	typ	mA	3
base	base		SK-136, pin 6 top / pin 6 at top
version	socket		SK-136 or Solder Bushings 1mm / SK-136 or Pin Receptacles 1mm

Pinout / Drawing:





 <p style="text-align: center;">Pin code</p>	Connection / Connection
1	anode
2	μ
3	P
4	-
5	+
6	m
7	M
8th	k
9	II
10	%
11	n
12	NC
13	NC
14	NC