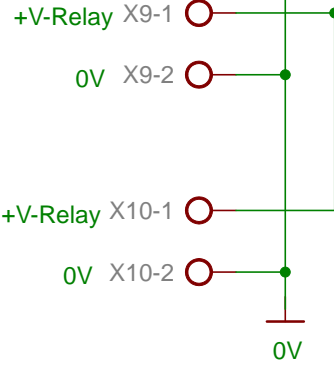


See Note 3 for R4 & R5

See Note 2 for addressing

2 x I2C Ports



2 x Relay Supply Ports  
See Note 1

**NOTE 1**  
V\_Relay can be between 5V and 24V as required.

**NOTE 2**  
Default address is 0x20  
JP1 .. JP3 can be used to address up to 8 cards on the I2C bus

**NOTE 3**  
Without these pull-up resistors on the I2C bus, the I2C bus will not function correct. It is best to include these two pull-up resistors on the main board, and not on the relay boards.  
  
Resistors R4 & R5 are shown for information purposes only. Do not forget to include them on the main project board.

