

How to make for Table Toilet Paper Case



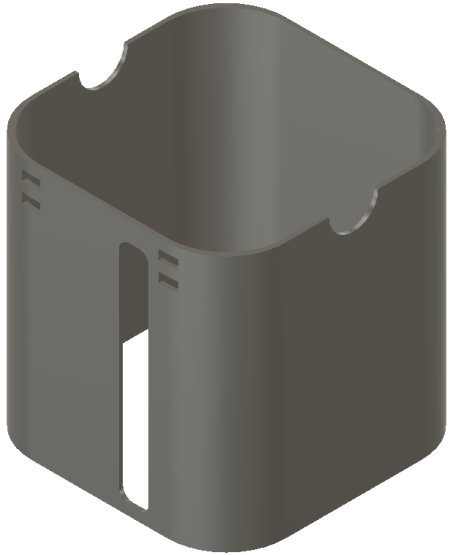
Contents

1. Pattern 1 Parts List
2. Pattern 2 Parts List
3. Common Assemble
4. Pattern 1 Assemble
5. Pattern 2 Assemble
6. Paper Set

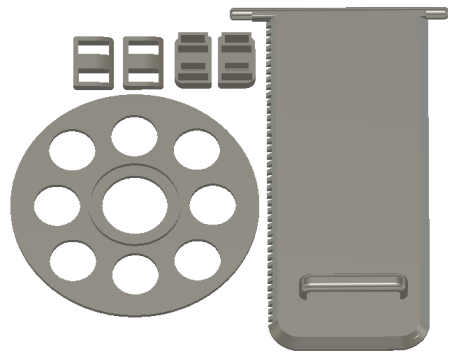
Pattern 1 Parts List

1	Common Cover.stl
2	Common Parts.stl
3	Bottom.stl
4	Top.stl

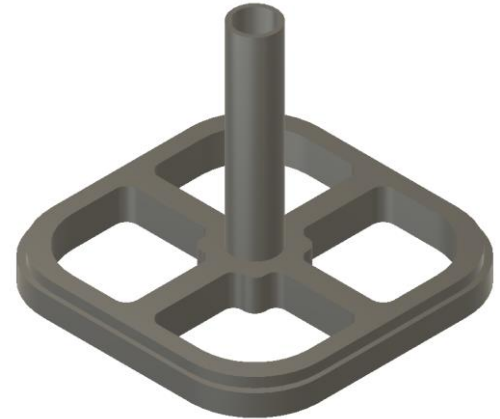
3D print Only



1



2



3

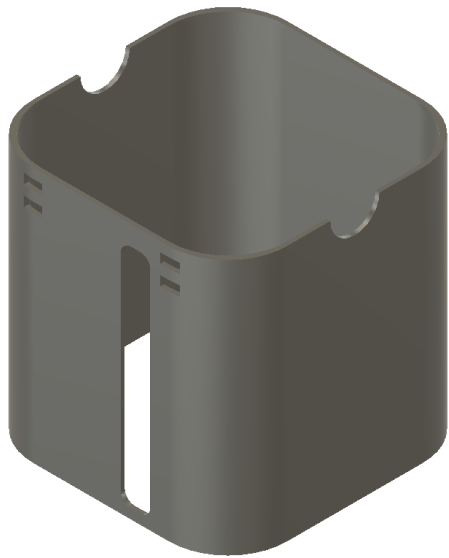


4

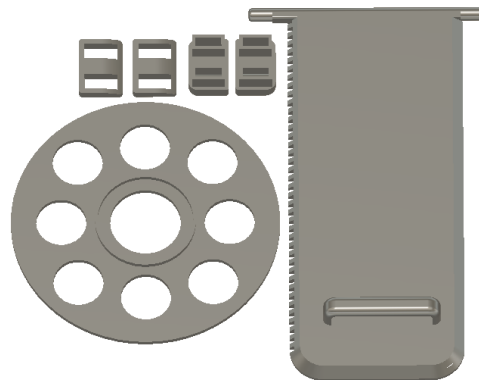
Pattern 2 Parts List

1	Common Cover.stl
2	Common Parts.stl
3	Upper.stl
4	Under.stl
5 (x2)	Wood (as you like)
6 (x4~8)	Wood Screws (e.g. 3.5φ x 12mm)

3D print + Wood



1



2



3



5 (x2)

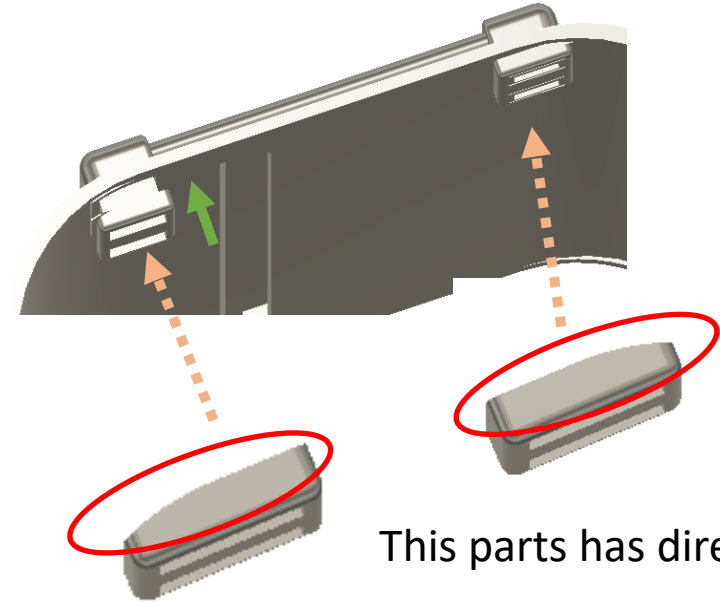
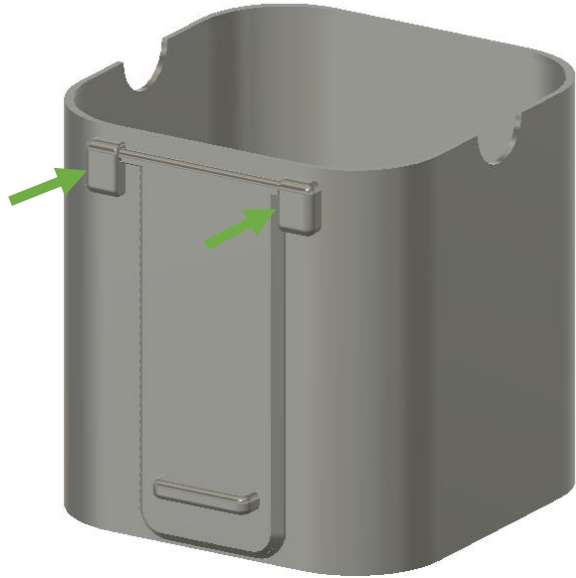
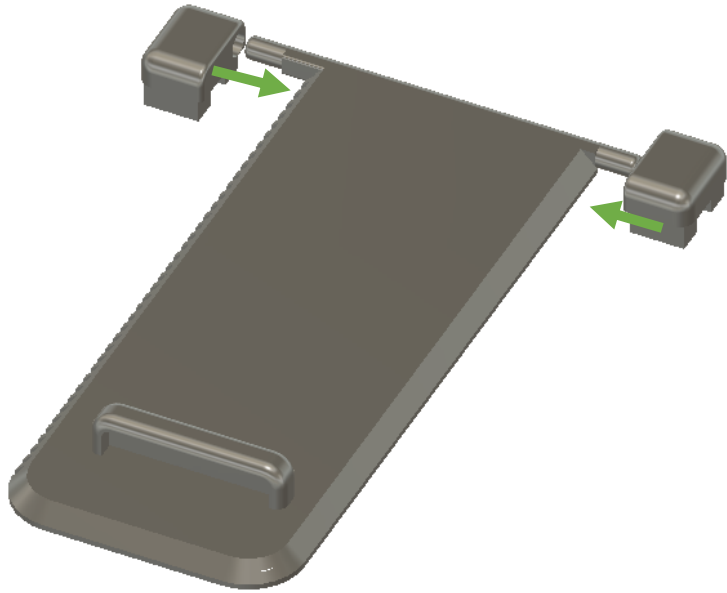


4



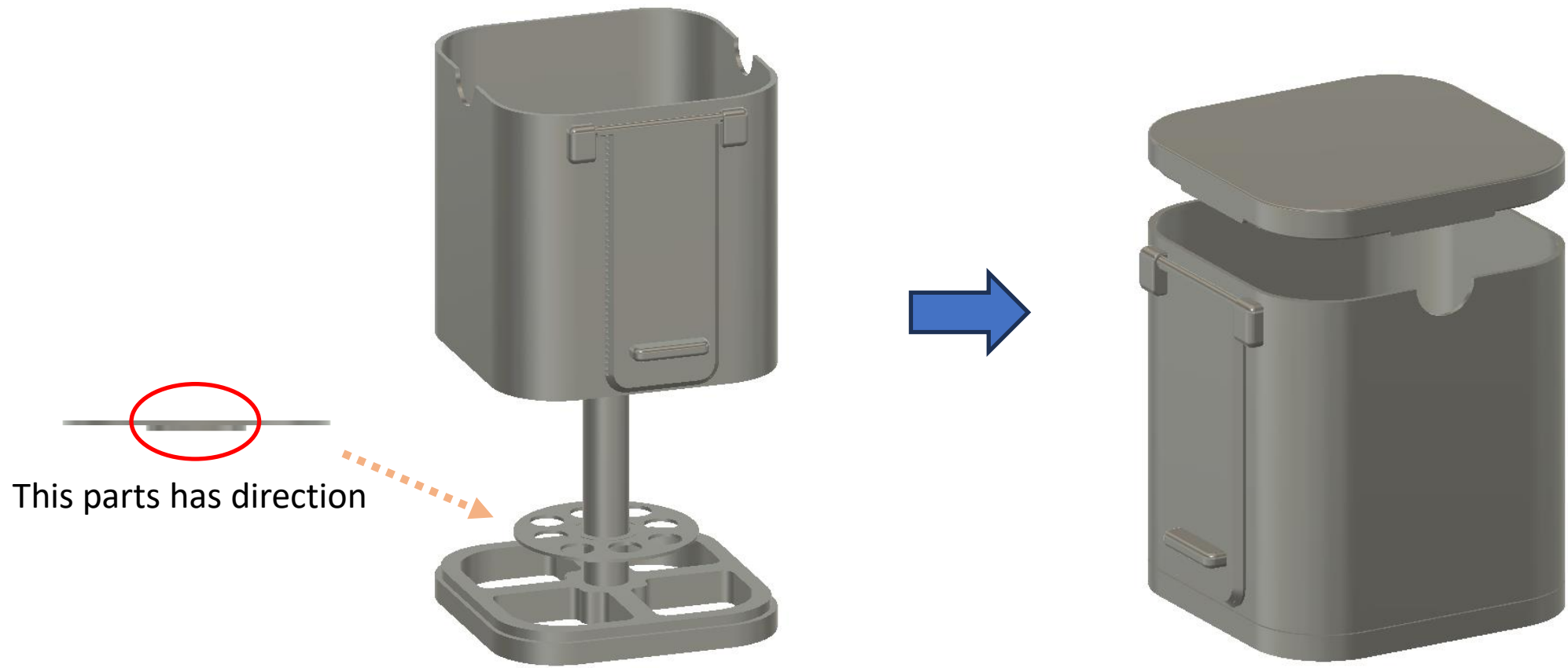
6 (x4~8)

3. Common Assemble

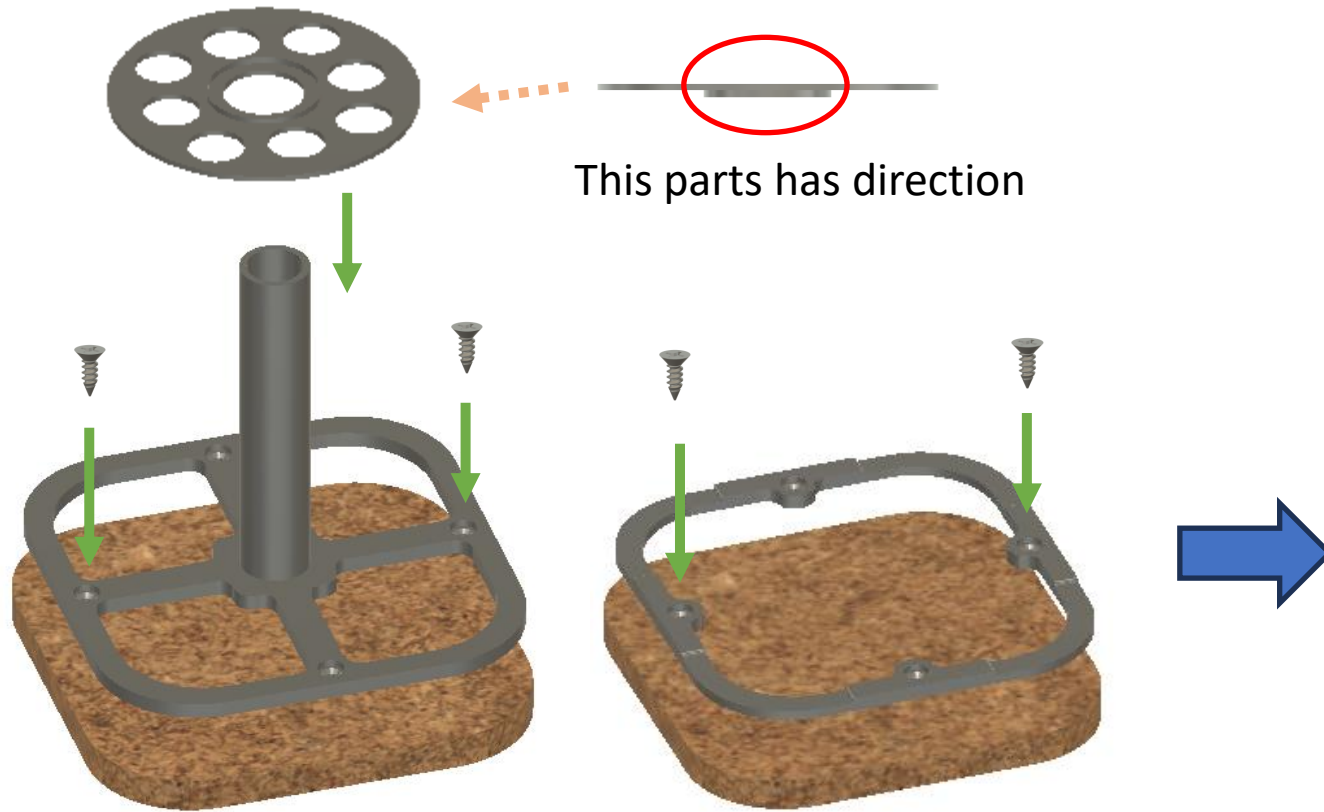


This parts has direction

4. Pattern 1 Assemble



5. Pattern 2 Assemble



6. Paper Set



This direction setting seems to be easier to cut paper.