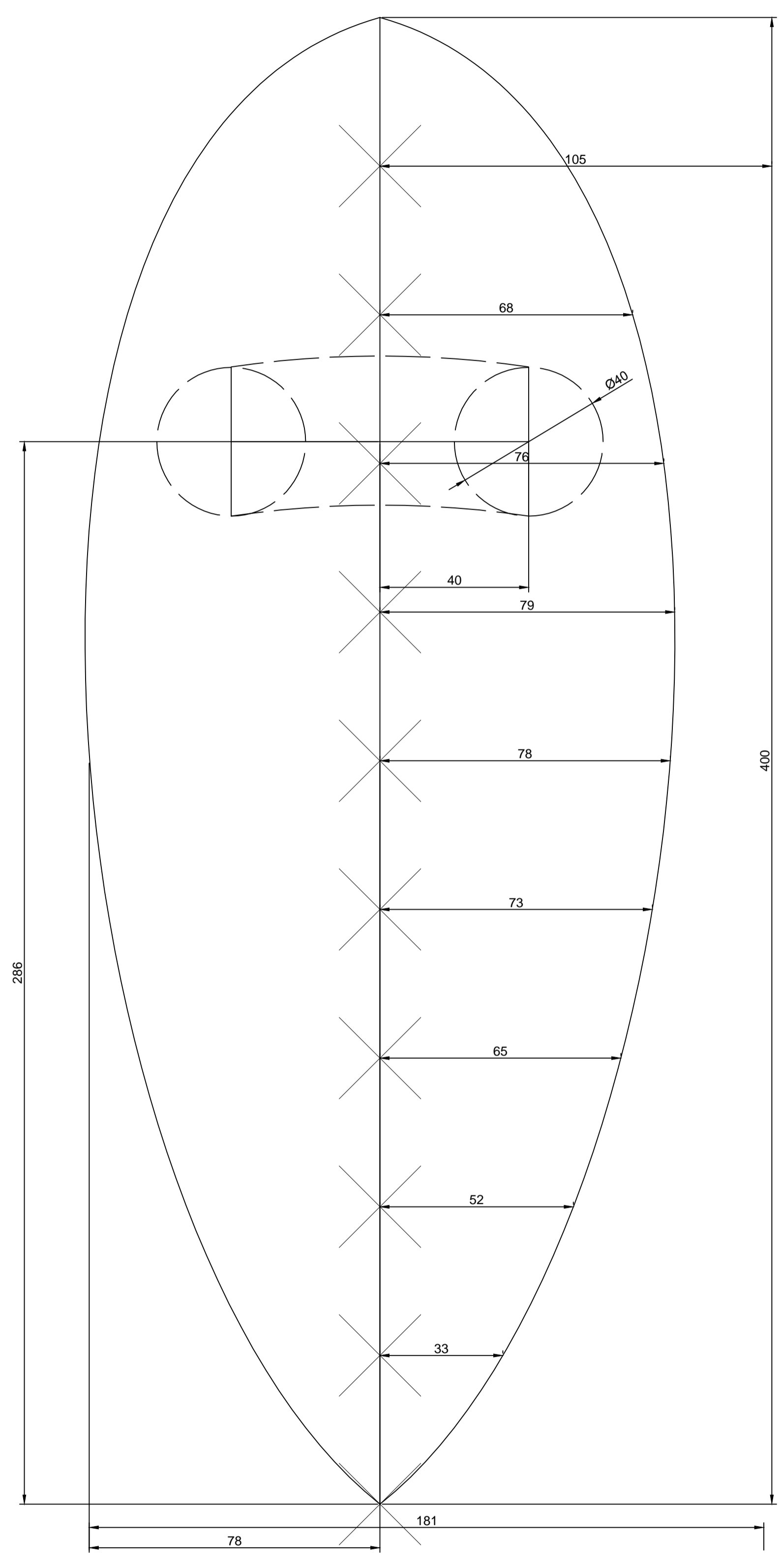


B-52



ZEPPELIN

| Itemref | Quantity | Title/Name, designation, material, dimension etc | Article No./Reference |
|---------------------------|-------------------|--|-----------------------|
| Designed by ALEC SHORT | Checked by YOU | Approved by - date YOU | Filename LOFT PLAN |
| | | Date 21/07/2015 | Scale 1:1 |
| GINANDTRONIC | | HANDPLANE PLAN | |
| | | Edition 1 | Sheet 1/1 |