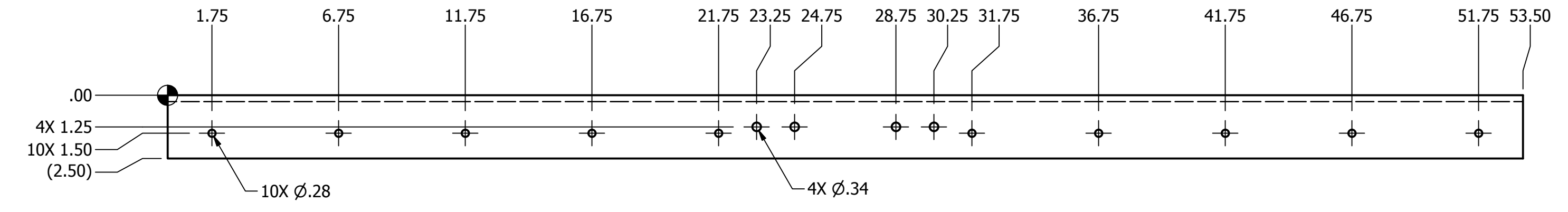
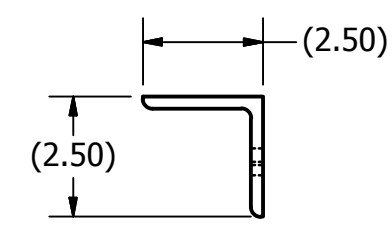
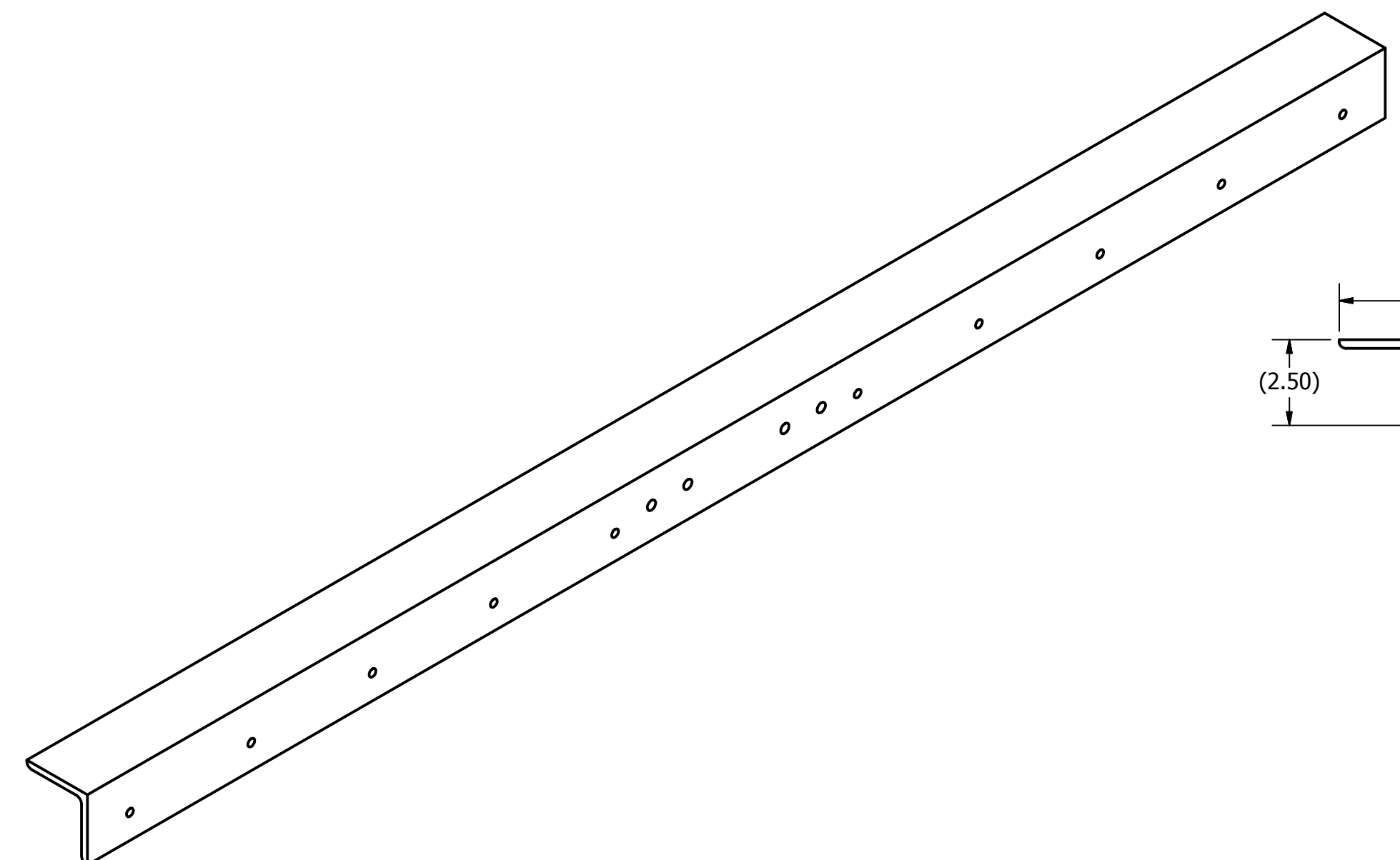
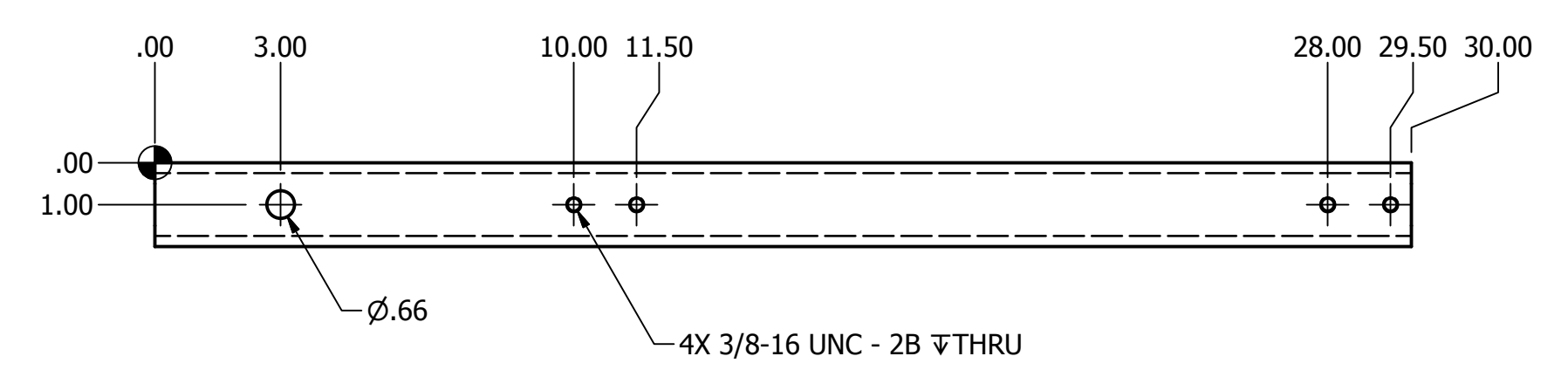
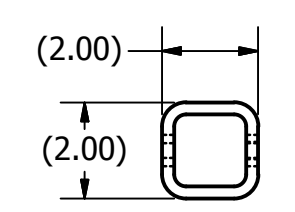
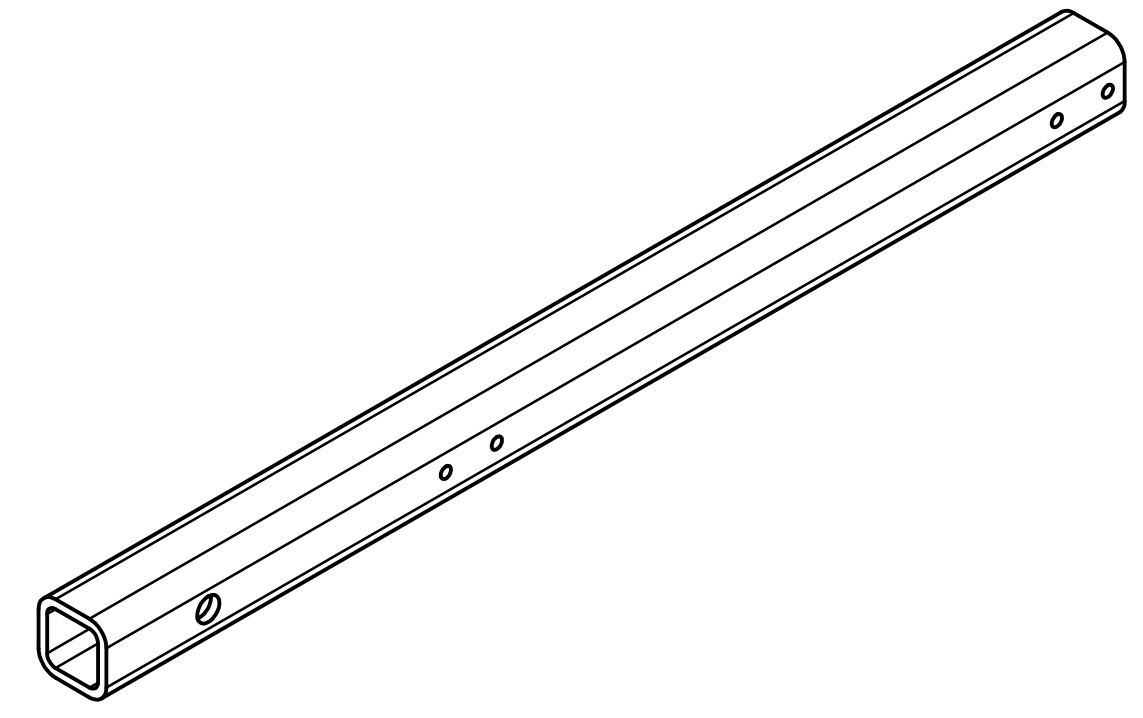


ITEM	QTY	PART NUMBER	DESCRIPTION
12	8	92620A585	BOLT, HEX, 5/16-18, L1.25", GR 8, ZINC
14	8	91102A755	WASHER, SPLIT-LOCK, 5/16", ZINC
13	16	90108A415	WASHER, FLAT, 5/16", ZINC
15	8	95462A030	NUT, HEX, 5/16-18, GR 5, ZINC
11	20	95462A029	NUT, HEX, 1/4-20, GR 5, ZINC
8	20	92620A540	BOLT, HEX, 1/4-20, L3/4", GR 8, ZINC
10	20	91102A750	WASHER, SPLIT-LOCK, 1/4", ZINC
9	40	90108A413	WASHER, FLAT, 1/4", ZINC
6	8	91102A760	WASHER, SPLIT-LOCK, 3/8", ZINC
7	8	90108A417	WASHER, FLAT, 3/8", ZINC
5	8	63195K190	BOLT, HEX, 3/8-16, L3/4", GR 8, ZINC
2	2	BASKET-02	SIDE RAIL
4	4	BASKET-04	SUPPORT BRACKET
3	1	BASKET-03	DRAW BAR
1	1	BASKET-01	BASE PLATE

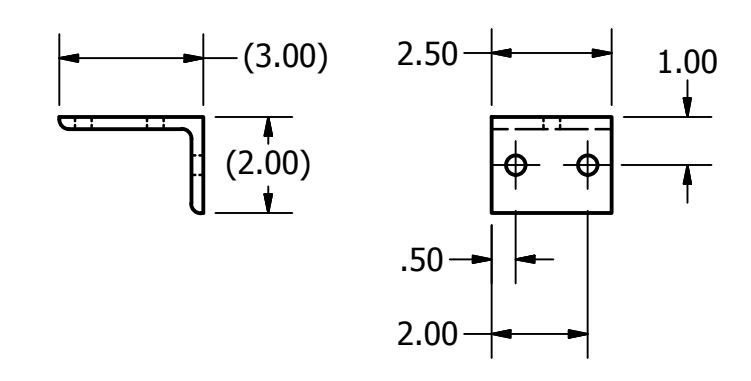
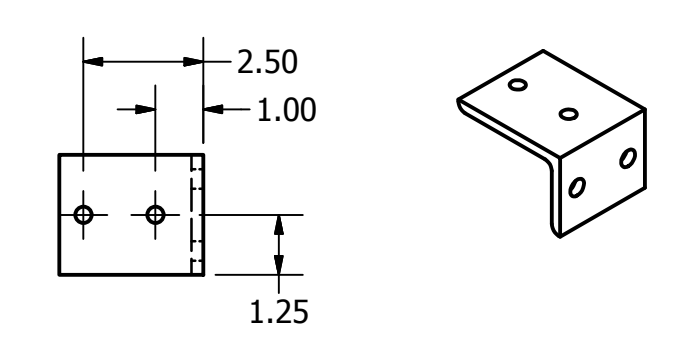
PARTS LIST			
DRAWN	Reengineered	7/16/2014	TITLE
CHECKED			
QA			Trailer Hitch Basket
MFG			
APPROVED			
	SIZE	DWG NO	REV
	D	HITCH BASKET	
	SCALE	SHEET 1 OF 2	



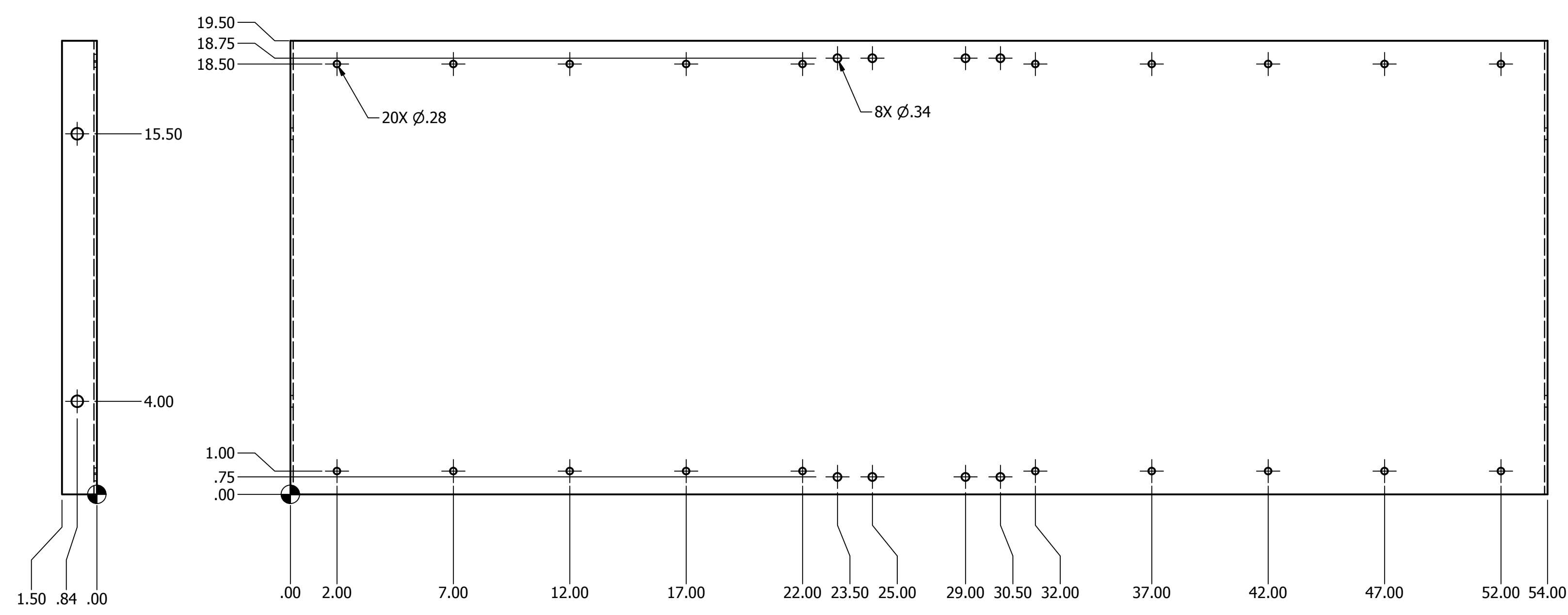
-02
SCALE 1 / 4
2.5" X 2.5" - 1/4" ALUMINUM ANGLE
6061 T-6



-02
SCALE 1/4
2" X 2" - 1/4" MILD STEEL TUBE



-03
SCALE 1/4
2" X 3" - 1/4" ALUMINUM ANGLE
6061 T-6



-01
SCALE 1/4
1/8" ALUMINUM PLATE
5XXX SERIES