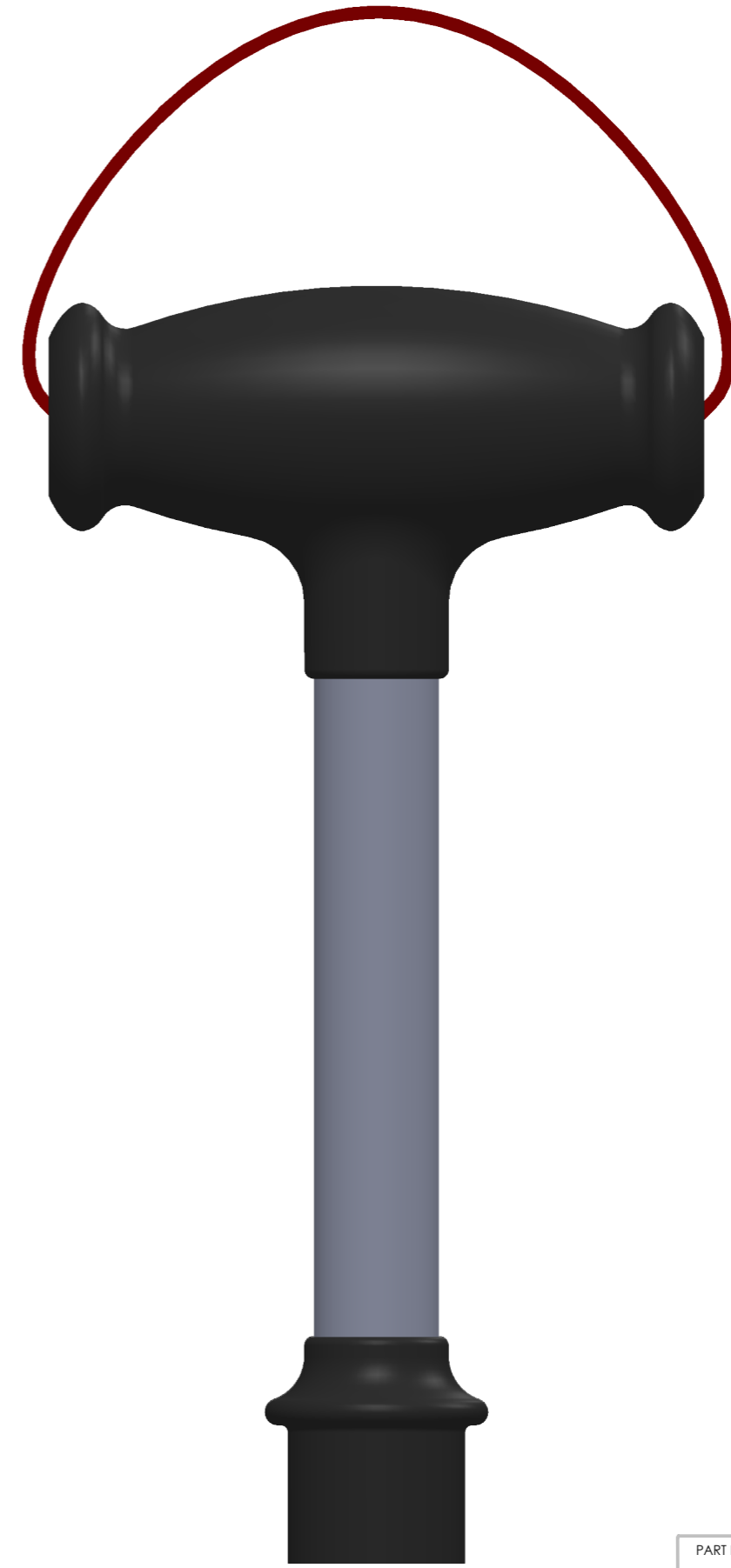
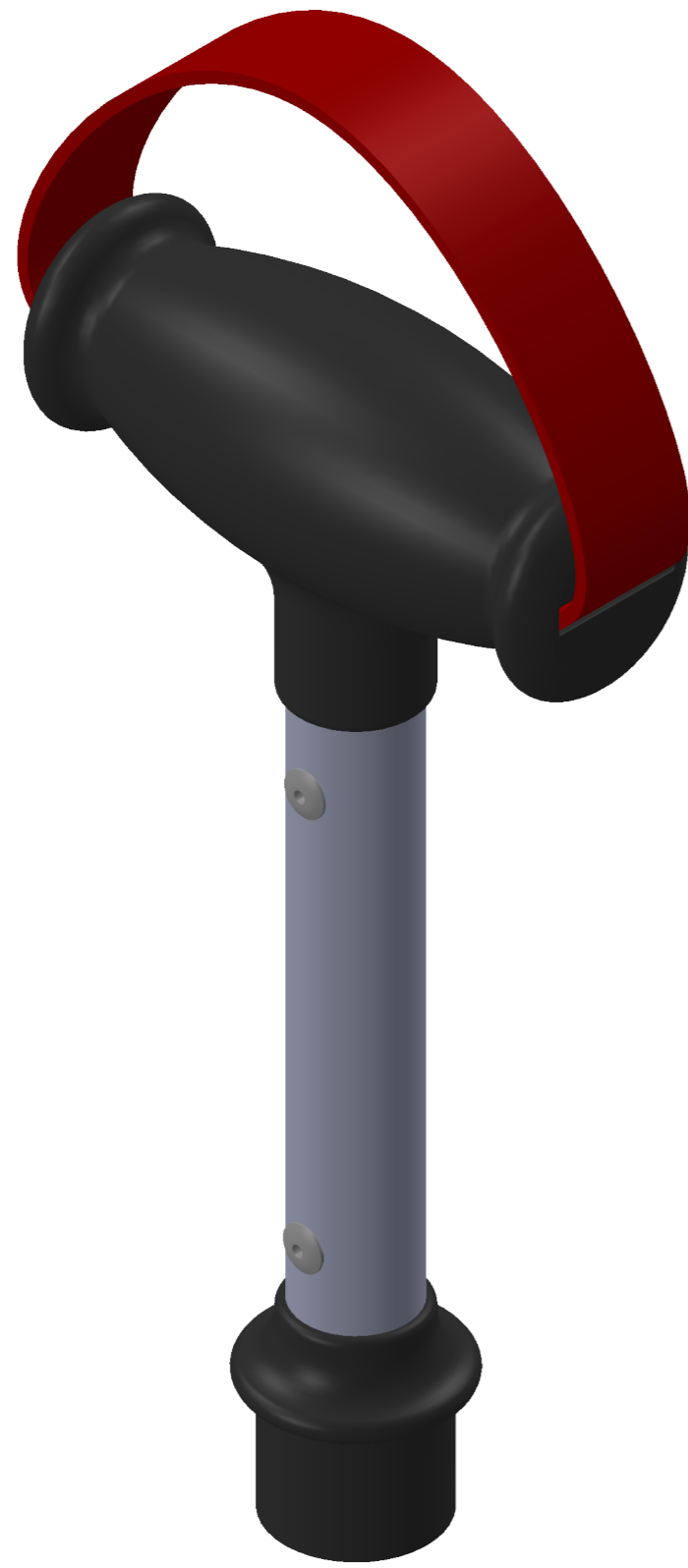


8 7 6 5 4 3 2 1

F
E
D
C
B
A

F
E
D
C
B
A



PART NAME
ARCANA'S HANDLE
SCALE: 1:1
SHEET 1 OF 6

8 7 6 5 4 3 2 1

F

F

E

E

D

D

C

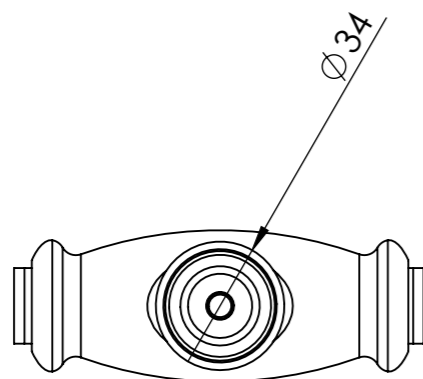
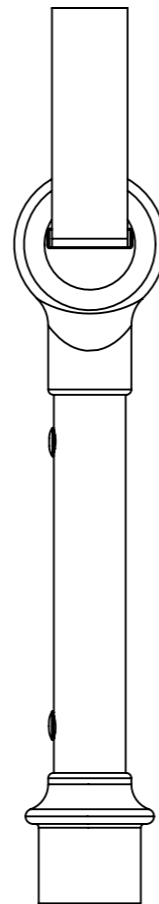
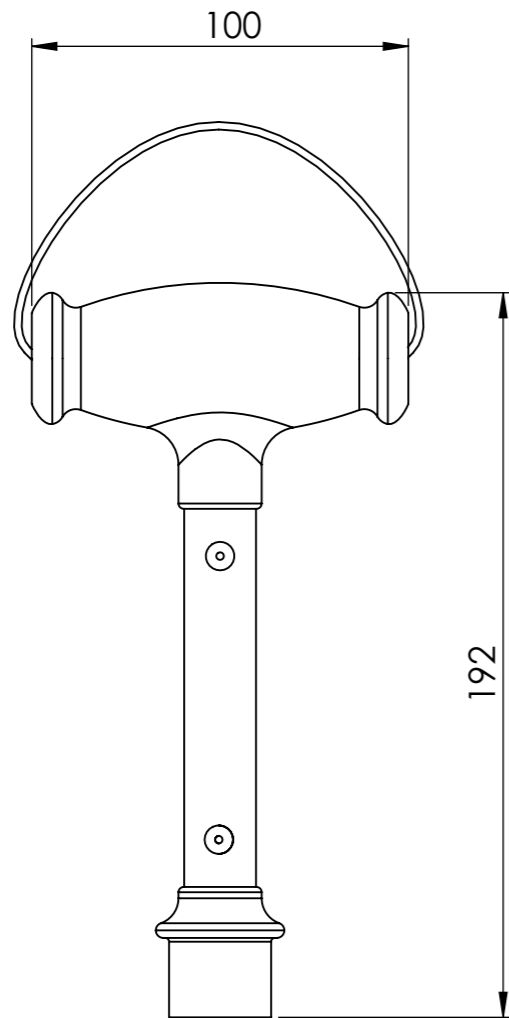
C

B

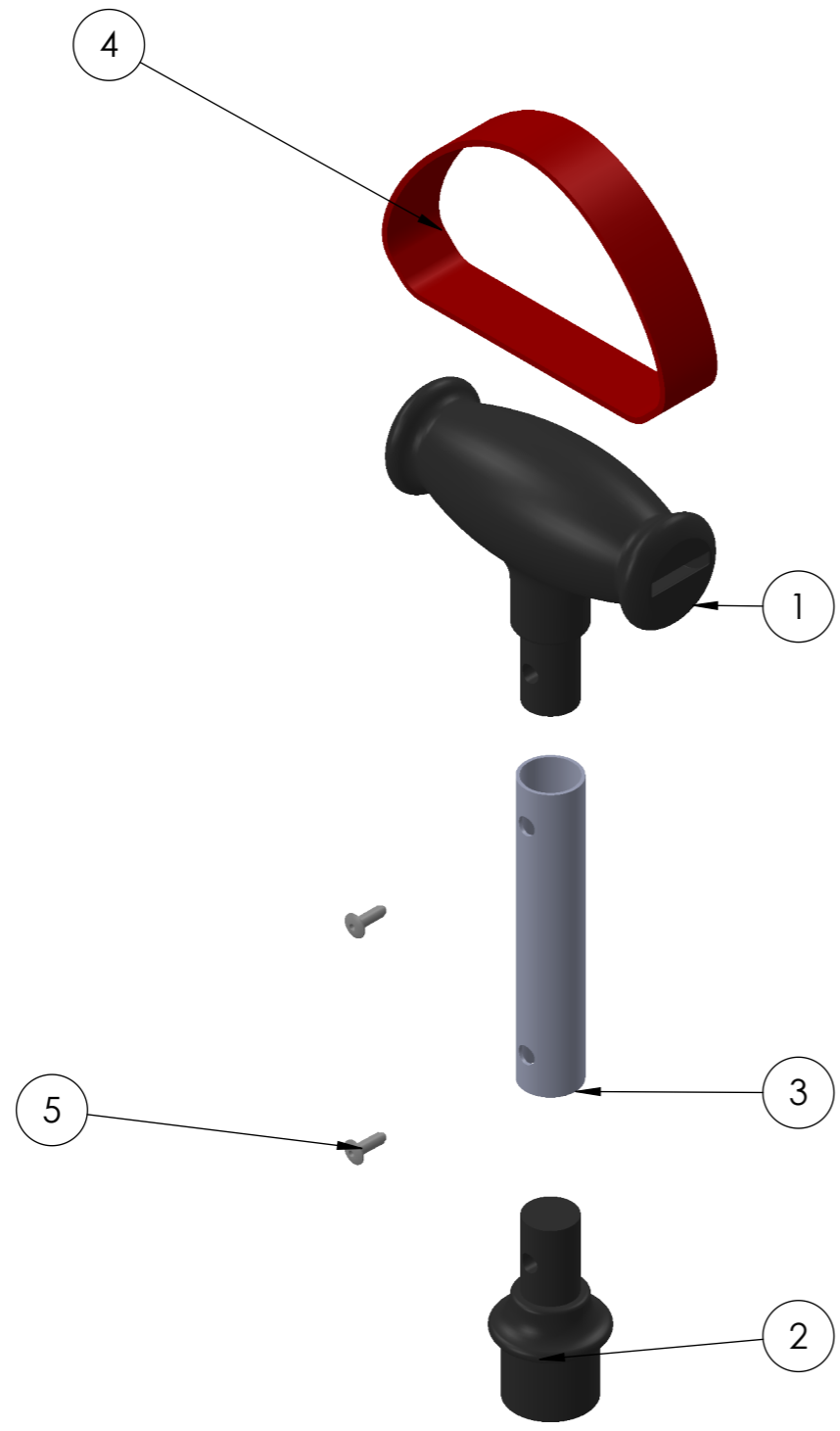
B

A

A



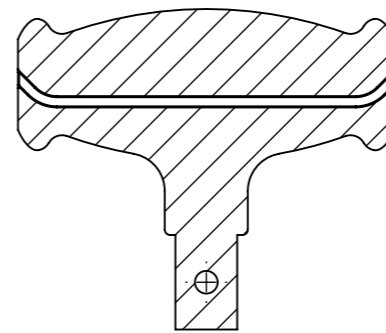
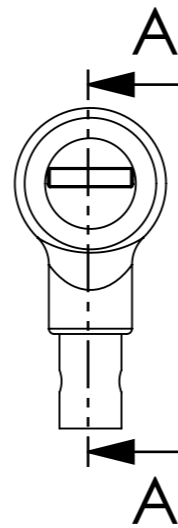
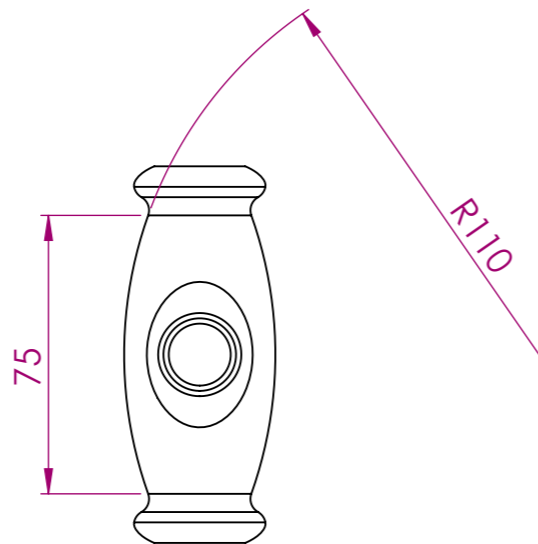
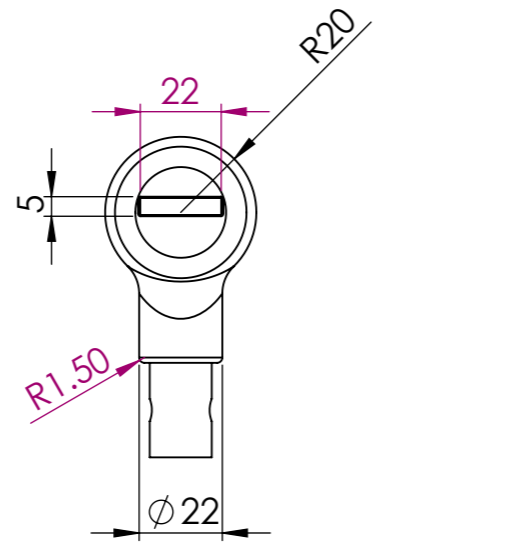
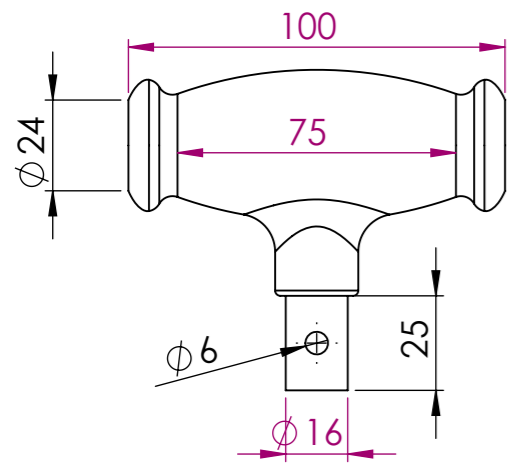
PART NAME
ARCANA'S HANDLE
SCALE: 1:2
SHEET 2 OF 6



ITEM NO.	PART NUMBER	MATERIAL	TECHNOLOGY	QTY.
1	HANDLE HEAD	PETG	3D PRINT	1
2	BOTTOM HANDLE	PETG	3D PRINT	1
3	PIPE MID HANDLE	ALUMINIUM	-	1
4	HANDLE STRAP	POLYPROPILEN	SEWING	1
5	ALUMINIUM RIVENT	Aluminum	-	2

PART NAME
ARCANA'S HANDLE
B.O.M

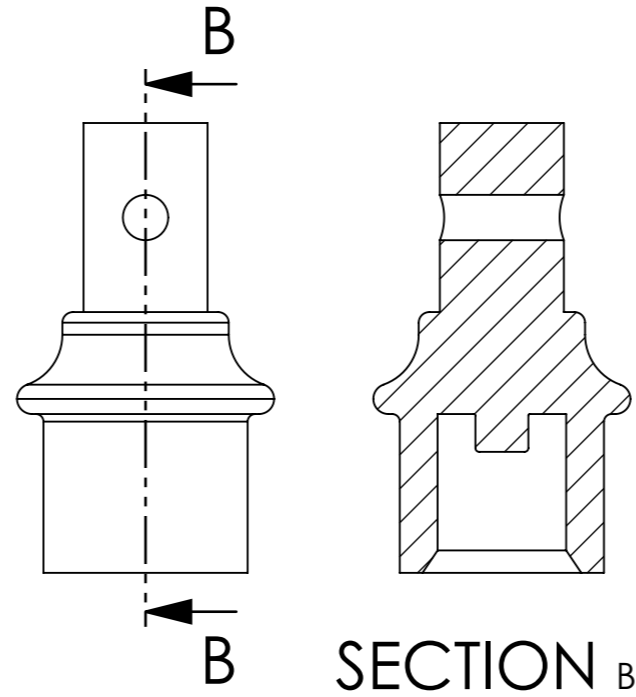
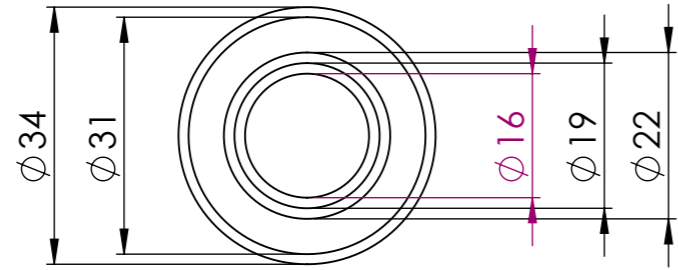
SCALE: 1:2 SHEET 2 OF 6



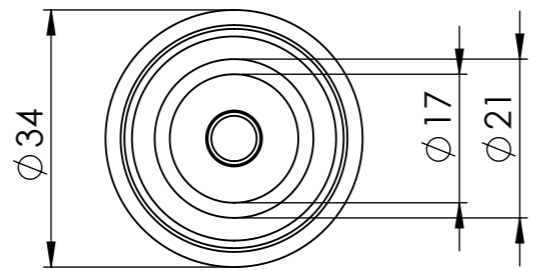
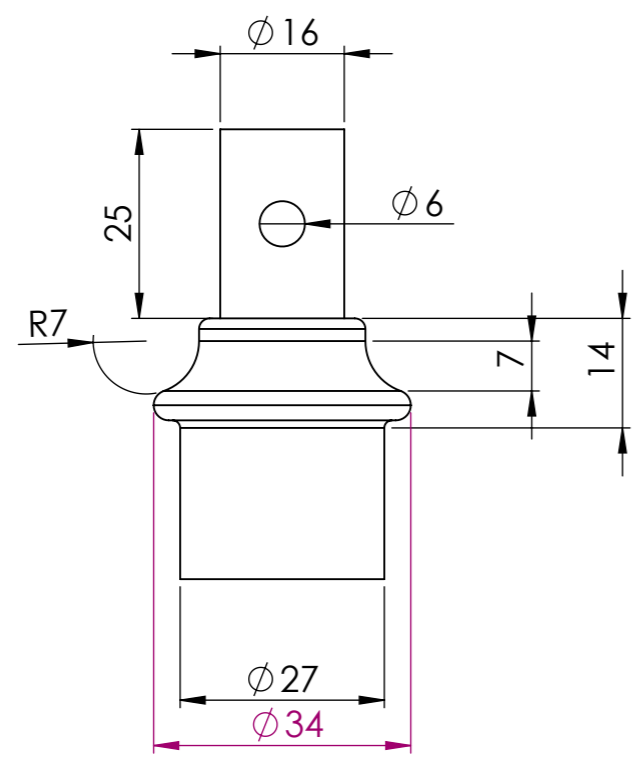
SECTION A-A



TECHNOLOGY: 3D PRINT	MATERIAL: PETG	PART NAME TOP HANDLE	
INFILL: 40%	LAYER HEIGHT: 0.16		
COLOR: BLACK	FINISH: GLOSS		
POST PROCESS: -	QTY. 1	PART NO. 1	A3
		SCALE: 1:3	SHEET 4 OF 6



SECTION B-B



TECHNOLOGY: 3D PRINT	MATERIAL: PETG	PART NAME BOTTOM HANDLE	
INFILL: 40%	LAYER HEIGHT: 0.16		
COLOR: BLACK	FINISH: GLOSS		
POST PROCESS: -	QTY. 1	PART NO. 1	A3
		SCALE: 1:3	SHEET 5 OF 6

8

7

6

5

4

3

2

1

F

F

E

E

D

D

C

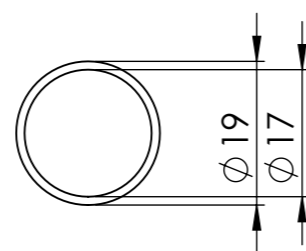
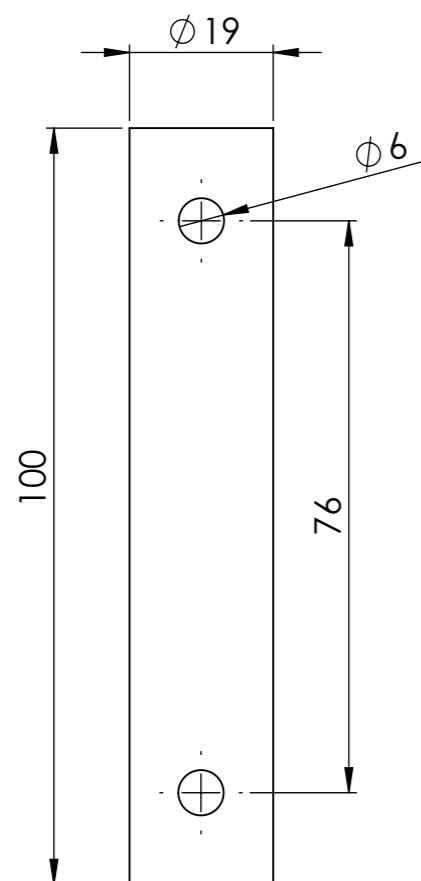
C

B

B

A

A



TECHNOLOGY:	MATERIAL: ALUMINIUM	PART NAME	
INFILL: -	LAYER HEIGHT: -	PIPE MID HANDLE	
COLOR: NATURAL	FINISH:		
POST PROCESS: DRILL	QTY. 1	PART NO. 3	A3
		SCALE: 1:3	SHEET 6 OF 6

5

4

3

2

1