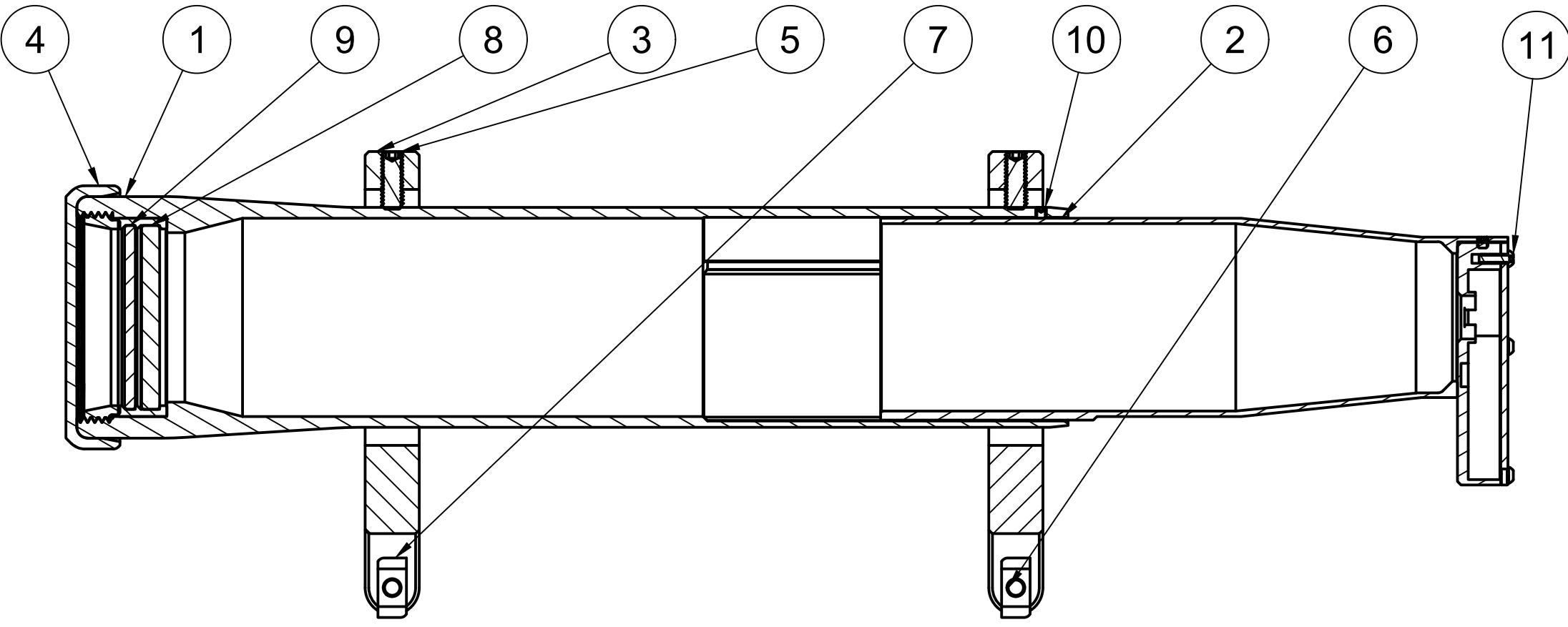


REVISION HISTORY		
REV	DESCRIPTION	DATE
1.0	First Edition	30/09/19



Parts List		
Item	Qty	Part Number
1	1	Guider Scope
2	1	Guider Camera Mount
3	2	Guider Scope Bracket
4	1	Guider Scope Lens Cap
5	6	M6-16-SHGS
6	4	M6-10-BHCS
7	4	30-M6-T-NUT
8	1	Guider Scope Concave Lens
9	1	Guider Scope Convex Lens
10	6	M3-3-SHGS
11	5	M2.5-8-BHCS

Dept. FUN	Technical reference TELESCOPE	Created by Greg Holloway 30/09/2019	Approved by GLH 30/09/19
		Document type SECTION	Document status RELEASED
		Title Guider Scope Assembly	DWG No. GUIDER-AS
		Rev. 1.0	Date of issue 30/09/19
		Sheet 1/1	