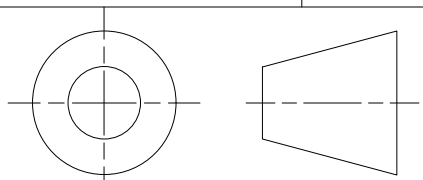


**THIS IS A SIMPLIFIED DRAFT
YOUR VERSION WILL BE TO A HIGHER LEVEL OF DETAIL**

BREAK ALL SHARP EDGES

PARTS LIST			DRAWN			
ITEM	QTY	PART NUMBER	jbraithwaite	3/16/2015	MANUFACTURING ENGINEERING TECHNICIAN	
1	2	Grill Support	CHECKED			
2	6	Grill Square Rod	 THIRD ANGLE PROJECTION			
3	1	Grill Handle				
4	1	Short Grill				
5	2	Center Grill Supports				
						TITLE GRILL ASSEMBLY DRAWING MATERIAL IS 3/8" SQUARE AND 3/8"X1-1/4" BAR
			SIZE A	TOLERANCES .XXX - .010 .XX - .015 .X - .031	DWG NO Grill Assembly Simplified	REV
			SCALE 1:4	SHEET 1 OF 1		