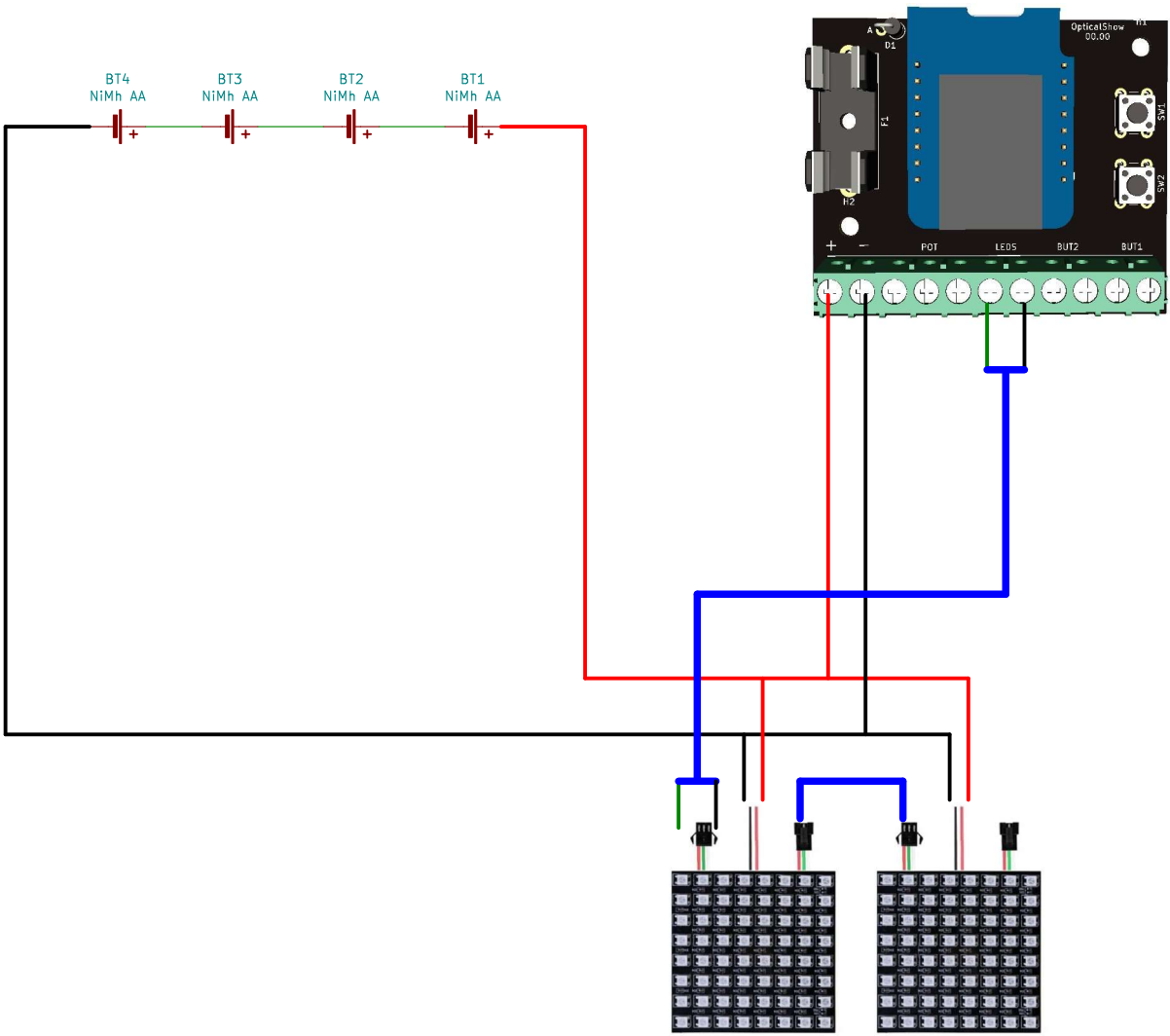
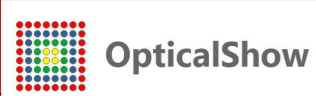


OpticalShow Controller



Tile 1

Tile 2



Sheet: /	
File: gloween_show_0.sch	
<b>Title: Gloween Show</b>	
Size: A4	Date: 2023-10-01
KiCad E.D.A. eeschema (5.1.9)-1	Rev: 0
	Id: 1/1