

Get Started MicroPython ESP8266

Introduction

The Makerfabs MakePython ESP8266 Kit intended to help learners getting started with MicroPython on the ESP8266. This Kits includes the most common electronic components and modules, for the starters to learn the basic knowledge of MicroPython and usage with uPyCraft IDE. 12 basic lessons help starters to learn the usage and program skills about MicroPython.

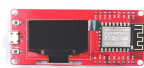
The total learning time for this kits& lessons is about 20 hours.

What is MicroPython?

Python is one of the most widely used, simple and easy-to-learn programming languages around. MicroPython is a lean implementation of the Python 3 programming language that has been pared down to run efficiently on microcontrollers. Python is a relatively simple (but powerful) language that is easy for beginners to pick up and has been gaining popularity in schools as an introductory language. MicroPython has nearly all of the features of Python, which means that interacting with hardware is now easily accessible to beginners and seasoned Python programmers alike.

MicroPython goal is to make programming digital electronic as simple as possible, so it can be used by anyone. Currently, MicroPython is used by hobbyists, researchers, teachers, educators, and even in commercial products.

Product List:



MakePython
ESP8266 x1



Ultrasonic ranging
module x1



Temperature and
humidity sensor x1



Buzzer module x1



DS18B20 module x1



Infrared module x1



Potentiometer x1



WS2812 module x1



Sound sensor x1



Vibration sensor x1



Photosensitive
resistance module x1



Button x2



Pulse sensor x1



Jump Wire x45



USB cable x1



Servo motor x1



Bread board x2



Resistance 330R x10

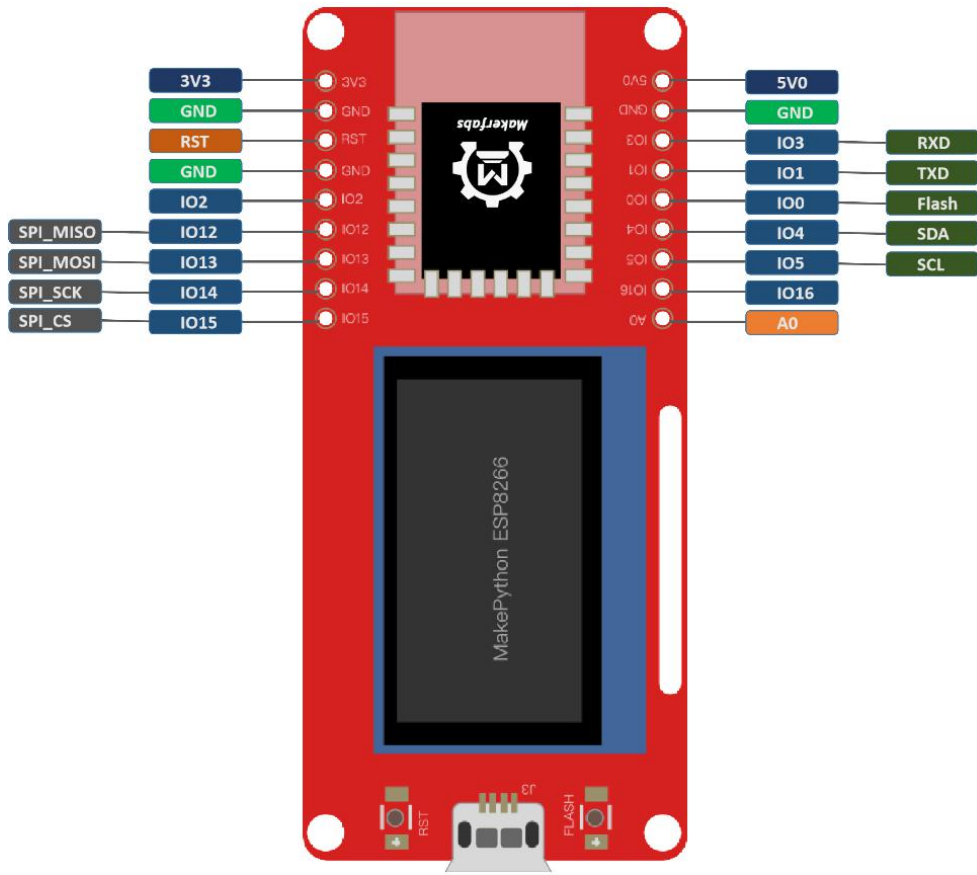


Red LED x10



Green LED x10

Makerfabs MakePython ESP8266 Pin figure:



Directory

Introduction.....	1
What is MicroPython?.....	1
Product List.....	1
Pin figure.....	2
I.MicroPython Development Tool.....	3
II.MakePython Lessons.....	10
1.Lesson1 LED Control.....	10
2.Lesson2 Running LED.....	13
3.Lesson3 Button.....	15
4.Lesson4 PWM Control.....	17
5.Lesson5 Voice Control.....	20
6.Lesson6 OLED Display.....	23
7.Lesson7 Temperature Monitor DS18B20.....	25
8.Lesson8 Digital LED WS2812.....	27
9.Lesson9 Pulse Sensor.....	30
10.Lesson10 AnalogRead.....	32
11.Lesson11 Ultrasonic Ranging.....	35
12.Lesson12 WiFi.....	39
III.Troubleshooting.....	52
IV.Flash/Upload MicroPython Firmware to ESP8266.....	54

I. MicroPython Development Tool

1. Installing uPyCraft IDE Windows PC

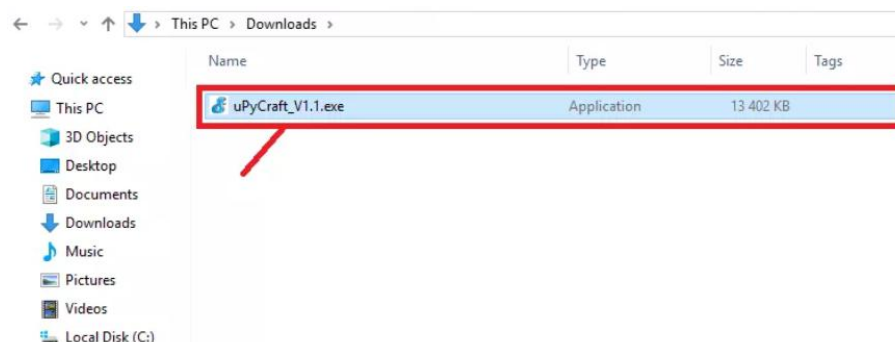
There many codes& programming methods with MicroPython. For this tutorial, we use uPyCraft IDE, which is the most simple& easy way for starts to skip into MicroPython.

You can learn more about uPyCraft IDE on their GitHub repository or explore the uPyCraft IDE source code.

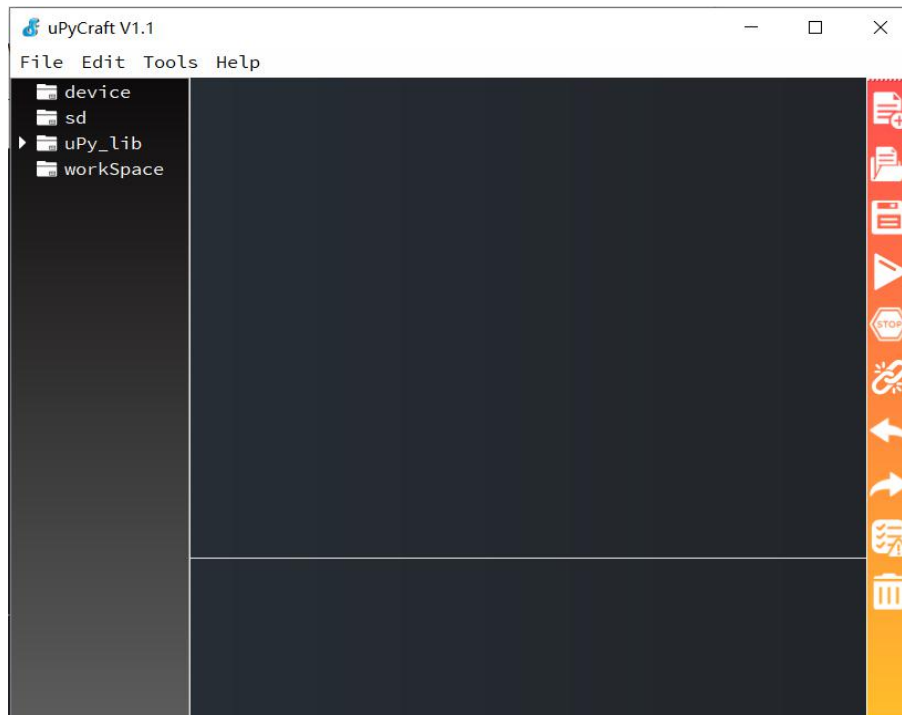
Click this link to download uPyCraft IDE for Windows:

<https://randomnerdtutorials.com/uPyCraftWindows>.

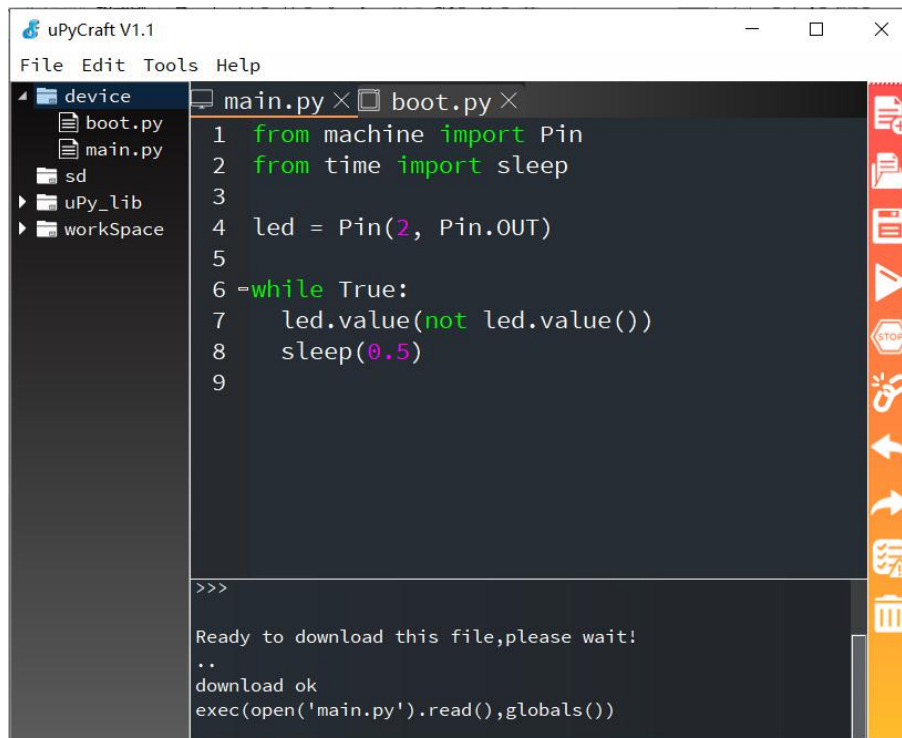
After a few seconds you should see a similar file (uPyCraft_VX.exe) in your Downloads folder



Double-click that file. A new window opens with the uPyCraft IDE software



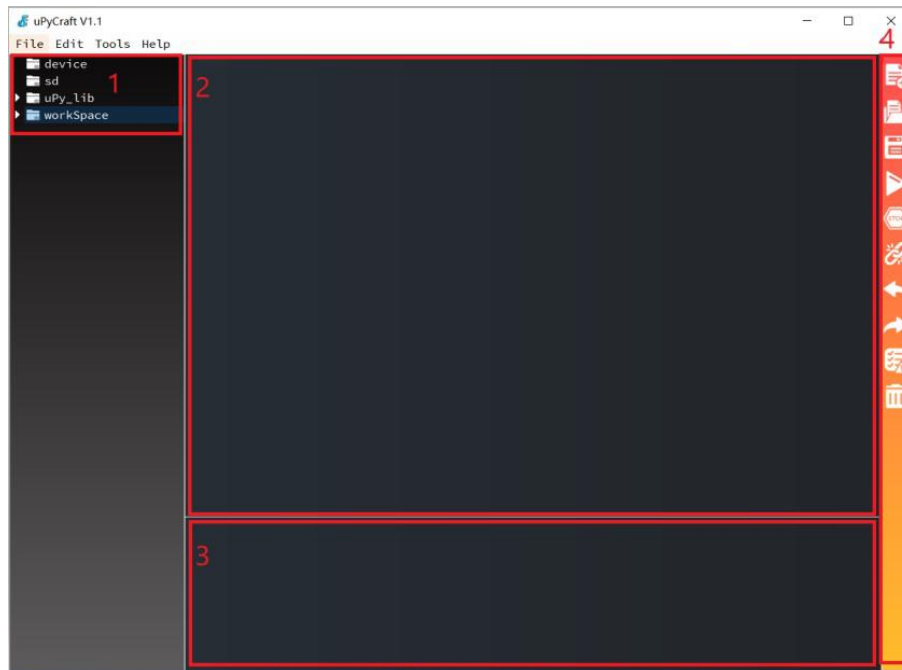
Simple code for blinking an LED on ESP8266 as follows:



2. Get Start with uPyCraft IDE

uPyCraft IDE Overview

Open uPyCraft IDE. Let's take a closer look at each section of uPyCraft IDE:



- 1->Folder and files
- 2->Editor
- 3->MicroPython Shell/Terminal
- 4->Tools

a. Folder and files

This section shows several folders and files. The device folder shows the files that are currently stored on your ESP board. If you have your ESP8266 connected via serial to uPyCraft IDE, when you expand the device folder, all files stored should load. By default, you should only have a boot.py file. To run your main code, it is recommended to create a main.py file.

- **boot.py:** runs when the device starts and sets up several configuration options;
- **main.py:** this is the main script that contains your code. It is executed immediately after the boot.py.

The **sd folder** is meant to access files stored on SD cards this is only works with boards like the PyBoard that come with an SD card slot.

The **uPy_lib** shows the built-in IDE library files.

The **workspace** is a directory to save your files. These files are saved in your computer in a directory defined by you. This is a special useful to keep all your files organized at hand.

When using uPyCraft for the first time, to select your working directory, click the workspace folder. A new window pops up for you to choose your workspace path. Create a new folder or select an existing folder to be your working directory.

Then, go to **File > Reflush** Directory to update the directory.

Note: to change your user directory, simply go to **Tools >InitConfig and click the workspace directory folder to choose a different path.*

b. Editor

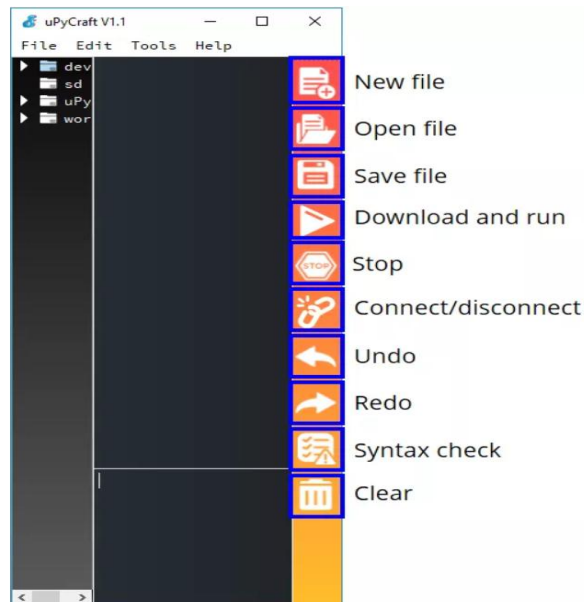
The Editor section is where you write your code and edit your .py files. You can open more than one file, and the Editor will open a new tab for each file.

c. MicroPython Shell/terminal

On the MicroPython Shell you can type commands to be executed immediately by your ESP board without the need of uploading new files. The terminal also provides information about the state of an executing program, shows errors related with upload, syntax errors, prints messages, etc...

d. Tools

The icons placed at the rightmost side allow you to quickly perform tasks. Each button is labeled in the figure below:

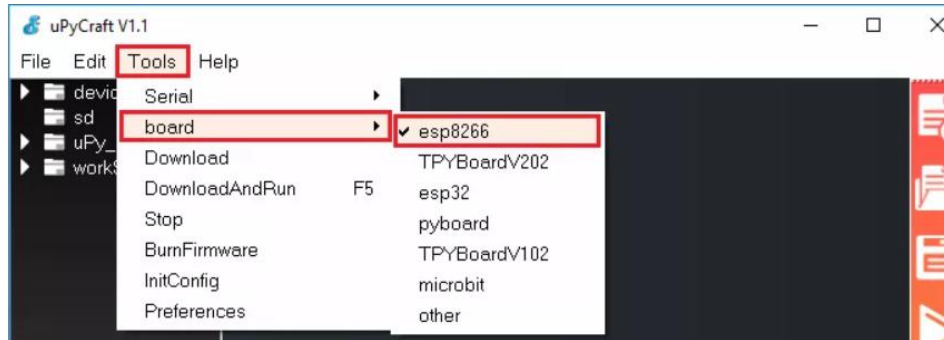


- **New file:** creates a new file on the Editor;
- **Open file:** open a file from your computer;
- **Save file:** saves a file;
- **Download and run:** upload the code to your board and execute the code;
- **Stop:** stop the execution of the code – it's the same as entering CTRL+C on the Shell to stop all scripts from running;
- **Connect/Disconnect:** connect or disconnect to your board via Serial. You must select the serial port first in Tools > Serial;
- **Undo:** undo last change in the code Editor;
- **Redo:** redo last change in the code Editor;
- **Syntax check:** checks the syntax of your code;
- **Clear:** clear the Shell/terminal window messages.

3. Establishing a communication with the board

After having the MicroPython firmware installed (MicroPython Firmware already installed when you get Makerfabs MakePython ESP8266), connect it to your computer through an USB cable, follow the steps:

1. Go to **Tools > Board** and select the board you're using. Select the esp8266



2. Go to **Tools > Serial** and select the com port your ESP is connected to(download the USB driver at: <https://www.silabs.com/products/development-tools/software/usb-to-uart-bridge-vcp-drivers>)

3.

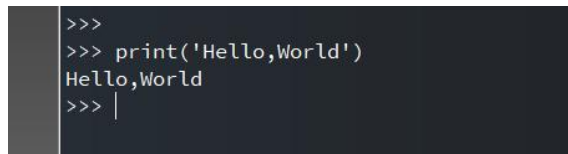
3. Press the Connect button to establish a serial communication with your board.



Connect/disconnect

You will see “>>>” appear in the Shell window after a successful connection with your board. You can type the print command to test if it's working. Try to print:

```
>>>print("hello, world")
```



It should print the “Hello,World” message. Only if you see that message, you can continue with this tutorial. Otherwise, make sure you have established a serial communication with your board or that you've flashed successfully the MicroPython firmware on your board.

4. Creating the main.py file on your board

1. Press the “New file” button to create a new file.



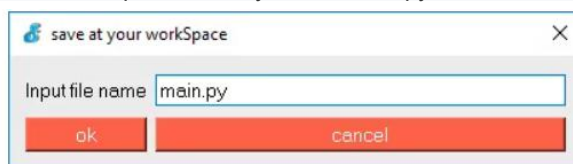
New file

2. Press the “Save file” button to save the file in your computer.

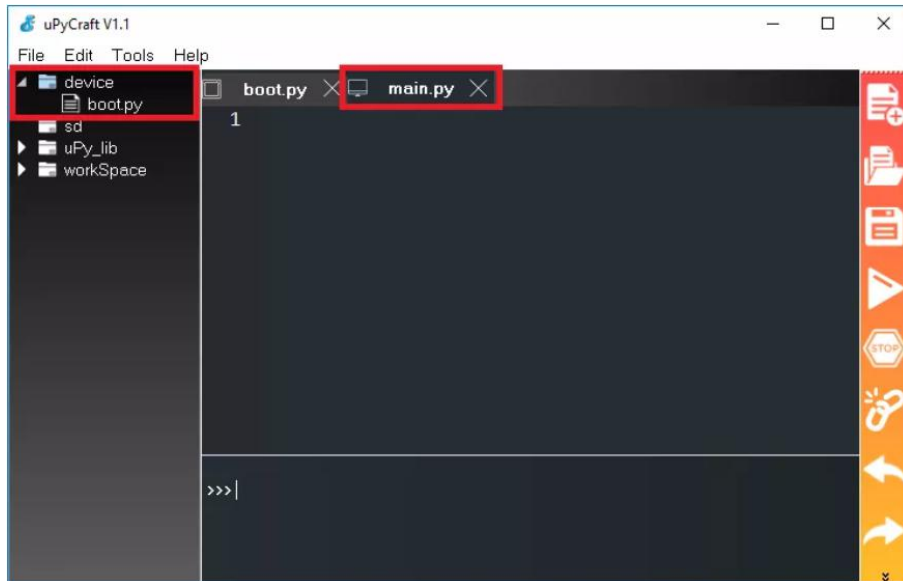


Save file

3. A new window opens, name your file main.py and save it in your computer:



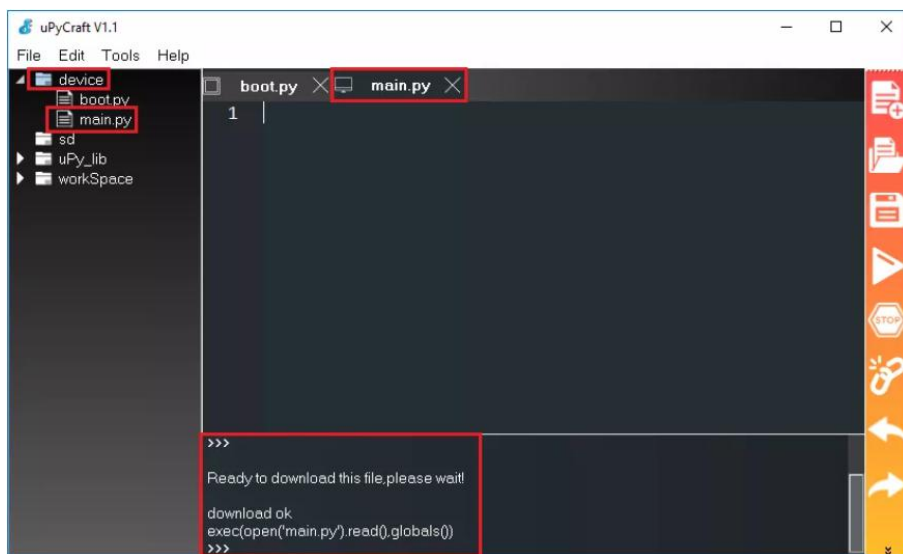
4. After that, you should see the following in your uPyCraft IDE (the boot.py file in your device and a new tab with the main.py file):



5. Click the “Download and run” button to upload the file to your ESP board:



6. The device directory should now load the main.py file. Your ESP has the file main.py stored.



5. Uploading the blink LED script

Ok, so let's begin to try to upload a very basic LED blink script into MakePython ESP8266 board.

1. Copy the following code to the Editor on the main.py file:

```

From machine import Pin
From time import sleep
Led = Pin(2, Pin.OUT)

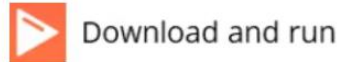
while True:
    Led.value(not led.value())
    sleep(0.5)

```

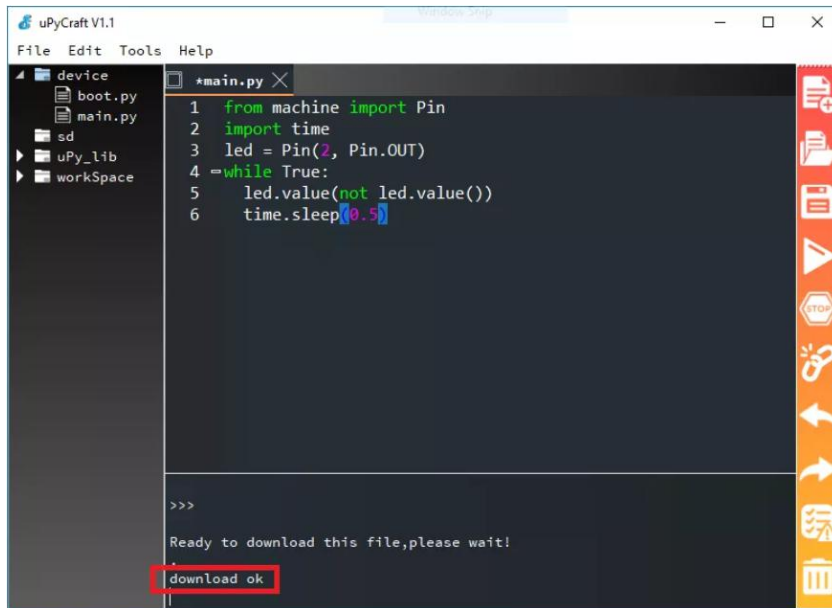

2. Press the “Stop” button to stop any script from running in your board:



3. Click the “Download and Run button” to upload the script to the ESP8266:



4. You should see a message saying “download ok” in the Shell window, it means that the updates succeed.

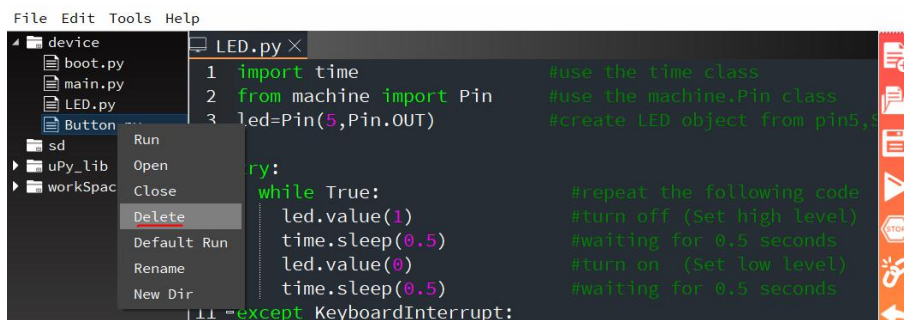


To run the script that was just uploaded to your board, you need to press the “Stop” button firstly:



and then press the on-board ESP8266 RST (RESET) button to restart your board and run the script from the start. Now Your ESP8266 on-board LED should be blinking every 500 milliseconds.

** Note that when there much files in your MakePython boards, it is suggested to delete un-necessary files. Right click the file and select the “delete” to delete these files.*



Good, you have mastered the basic use of uPyCraft IDE, now we will further explore ESP8266, are you ready?

II. MakePython Lessons

1. Lesson1: LED Control

This is the most basic lesson, in which we will learn how to control the digital output pins with MicroPython, by control the lighting of an LED.

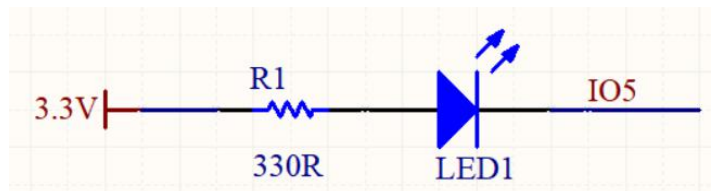
Material:

- 1*LED;
- Resistor: 1*330R;
- Jump wires;

LED lamp pictures:

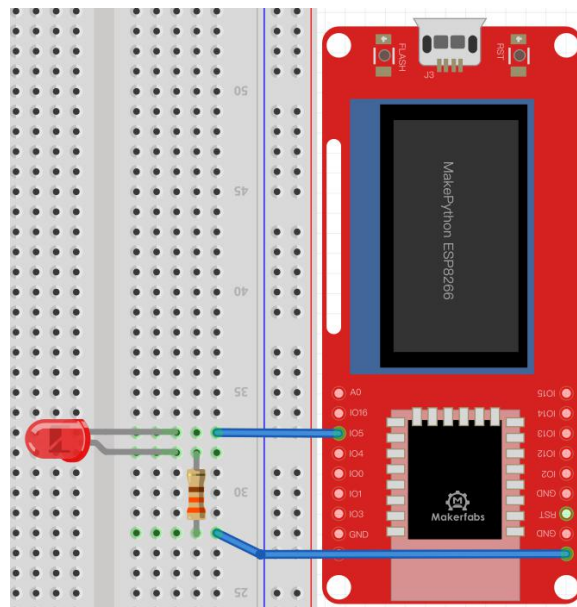




Schematic:



Instructions: The short pin on the left is negative and the long pin on the right is positive. The purpose of resistor is to limit the current, avoid burning LED lamp with too much current.

Wiring: Connect the long LED pin to the end of the 330R resistor, the other end of the resistance is connected to 3.3V, the short pin of the LED lamp is connected to the IO5 of ESP8266. As follows:



Create a file: Open the uPyCraft IDE by clicking the , and click save , to name the Settings file, select your own save path. You can then program in the LED documentation:

note: The first time you open the uPyCraft IDE, the **workSpace path does not exist. When you click, the **workSpace** dialog box will pop up. You can create a **workSpace** directory to store the user's files by selecting the directory you want to store.*

Code and comments:

```
import time                #use the time class
from machine import Pin    #use the machine.Pin class
led=Pin(5,Pin.OUT)        #create LED object from pin5,Set Pin5 to output

try:
    while True:            #repeat the following code
        led.value(1)       #turn off (Set high level)
        time.sleep(0.5)    #waiting for 0.5 seconds
        led.value(0)       #turn on (Set low level)
        time.sleep(0.5)    #waiting for 0.5 seconds
except KeyboardInterrupt:
    pass
```

Grammar explanation:

- led=Pin(5,Pin.OUT):

Create an LED object and set it to output mode

- while:

Used to loop through a program, that is, under certain conditions, loop through a segment of a program to handle the same task that needs to be processed repeatedly

- led.value(1):

Set the led pin value to high level. Since the other pin is connected to 3.3v, there is no voltage difference between the two pins.



- led.value(0):

Set the pin value to low level, there is a voltage difference between two pins, there is a current through, the LED light is on.

- time.sleep(0.5):

delay 0.5 seconds, in this time the control will be sleep and do nothing.

The experimental results:

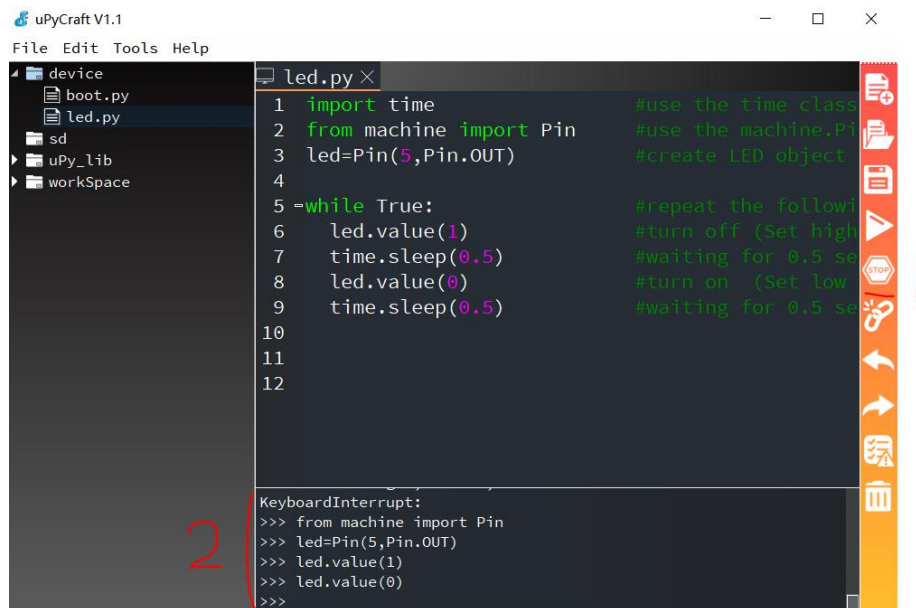
Click the  to save and the  to run, you will see the LED lights blinks with interval of 0.5 seconds. You can try changing it to other pins yourself. For example, change to **led=Pin(4,Pin.OUT)**, then connect the wire to IO4, and the light will flash, or the delay is changed to **time.sleep(1)**,The light flickers slowly, with interval of 1s. You can also try to increase the number of LED lights and keep them on and off.

Extension:

You can also control the LED lighting by sending command through serial port:

*If your lights are still flashing, that means the code is still running, press  to stop the program

running. Write the code after ">>>" and press **enter** after each line:



```
uPyCraft V1.1
File Edit Tools Help
device
├── boot.py
├── led.py
├── sd
├── uPy_lib
└── workSpace

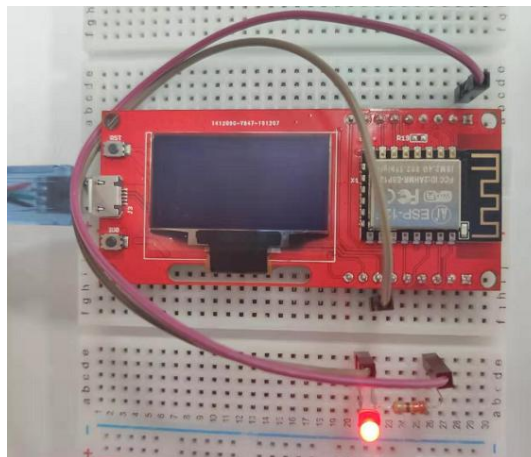
led.py
1 import time #use the time class
2 from machine import Pin #use the machine.Pin
3 led=Pin(5,Pin.OUT) #create LED object
4
5 =while True: #repeat the followi
6     led.value(1) #turn off (Set high
7     time.sleep(0.5) #waiting for 0.5 se
8     led.value(0) #turn on (Set low
9     time.sleep(0.5) #waiting for 0.5 se
10
11
12

KeyboardInterrupt:
>>> from machine import Pin
>>> led=Pin(5,Pin.OUT)
>>> led.value(1)
>>> led.value(0)
>>>
```

code:

```
>>>from machine import Pin #Press enter to jump the cursor to the next line
>>>led=Pin(5,Pin.OUT)
>>>led.value(1) #Press enter, led out
>>>led.value(0) #Press enter, led on
```

* Each time you finish writing the code, you need to press enter and move the cursor to the next line behind ">>>"



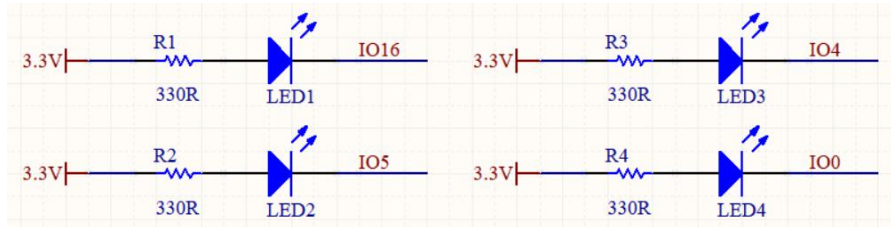
2. Lesson2: Running LED

In this experiment, multiple LED lights are controlled to deepen the understanding of board GPIO port, compilation environment and program framework.

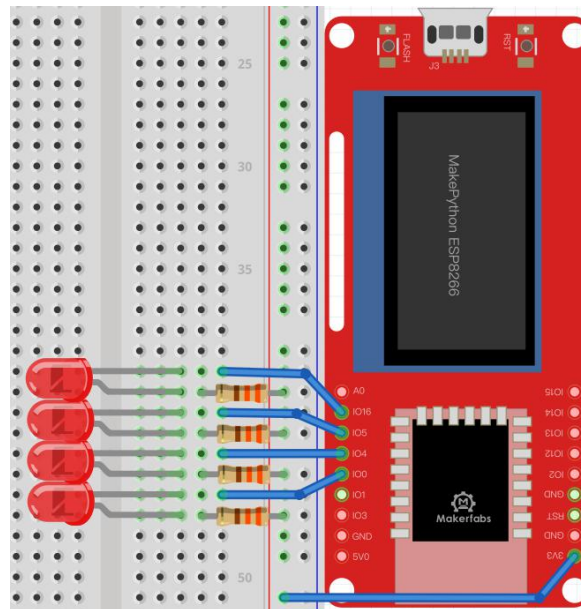
Material:

- 4*LEDs;
- ,resistance:4*330R;
- Jump wires;

Schematic:



Wiring: Connect the short LED pin to the IO16, IO5, IO4 and IO0 of ESP8266, and connect the long pin to one end of the 330R resistor and the other end of the resistor to 3.3V:



Create a new **running_LED** file with the following code and comments:

```
import time
from machine import Pin

#Create an array of Pin16,Pin5,Pin4,Pin0 leds
leds = [Pin(16,Pin.OUT),Pin(5,Pin.OUT),Pin(4,Pin.OUT),Pin(0,Pin.OUT)]
n=0

try:
    while True:
        n = (n+1)%4           #The remainder sign % guarantees that n is between 0 and 3
        leds[n].value(1)     #The value of the NTH LED is high level,turn off
        time.sleep_ms(30)    #Delay of 30 milliseconds
```

```

leds[n].value(0)    #The value of the NTH LED is low level,turn on
time.sleep_ms(30)  #Delay of 30 milliseconds
except KeyboardInterrupt:
    pass

```

Grammar:

- `leds = [Pin(16,Pin.OUT),Pin(5,Pin.OUT),Pin(4,Pin.OUT),Pin(0,Pin.OUT)]:`

Create an object for each LED lamp and control them separately, declaring a list form that is easy to understand

- `n = (n+1)%4:`

n represents the current LED and we can get the value of the next *n* after each loop execution (the residual symbol % ensures that the value of *n* is between 0 and 3)

- `led.value():`

1 for high level, 0 for low level

The experimental results:

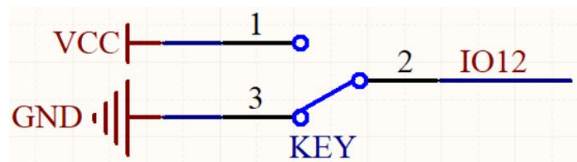
After running the code, you can see four LED lights go on and off in cycles. You can appropriately create more LED objects in the list to make the running lights look better. For example, change to `leds=[Pin(16,Pin.OUT),Pin(5,Pin.OUT),Pin(4,Pin.OUT),Pin(0,Pin.OUT),Pin(1,Pin.OUT),Pin(3,Pin.OUT)]`, `n = (n+1)%6`. You can see a row of lights dancing. You can even add more. Try it yourself.

3. Lesson3: Button

The LED light in previous lesson is about the usage of output GPIO port. In the lesson, we will learn how to input the signals to the board, by learning the usage of input of GPIO port by pressing buttons. The MakePython ESP8266 board will sense the button input, and thus to control the LED ON/OFF.

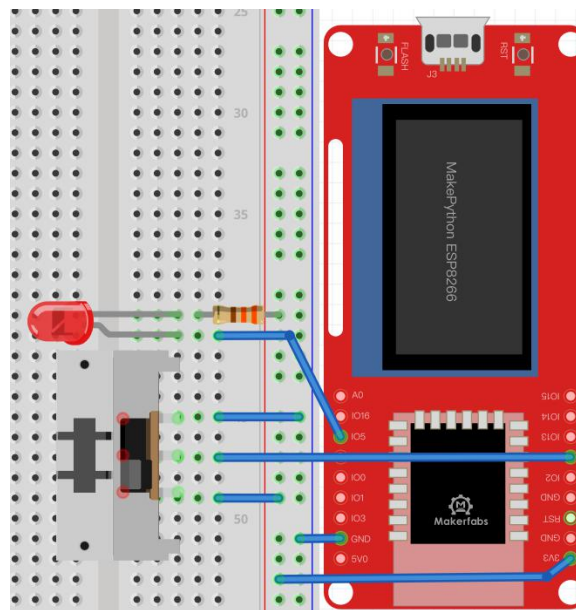
Material:

- 1*Button Module;
- 1* LED;
- resistance:1*330R;
- Jump wires;



Instructions: When the button is pressed, VCC is connected to OUT, and OUT pin outputs high level; when the key is released, GND is connected to OUT, and OUT pin outputs low level

Wiring: VCC foot connects board 3V3, GND connects board GND, OUT pin connects IO12:



Create a new **Button** file with the following code and comments:

```
from machine import Pin
import time

button=Pin(12,Pin.IN, pull=None)      #create Button object from pin12,Set Pin12 to input
led=Pin(5,Pin.OUT)                   #create LED object from pin5,Set Pin5 to output

try:
    while True:
        if(button.value() == 1): #Press the button, the value is 1, release the button, the value is 0
            led.value(0)         #turn on
        else:
            led.value(1)         #turn off
except KeyboardInterrupt:
    pass
```

Grammar explanation:

- `button=Pin(12,Pin.IN):`

Create a key object and set it to input mode

- `if...else:`

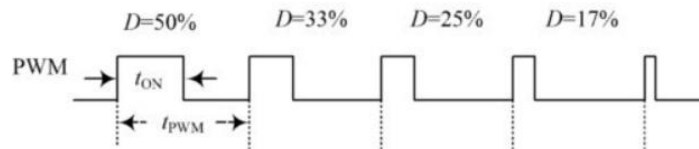
Statement judge, If true, execute the statement after the if. Otherwise, execute the statement after the else

Results:

Press the button, the LED light is will be on, while release the button, the LED light is off;

4. Lesson4: PWM Control

Pulse width modulation (PWM) is a method of obtaining artificial analog output on digital pins. It does this by quickly switching pins from low to high. There are two related parameters: switching frequency and duty cycle. Duty cycle is defined as the time a pin is at a high level compared to the length of a single cycle (low level to high level time). The maximum duty cycle is that the pulse is always at high level while the minimum duty cycle is always at low level



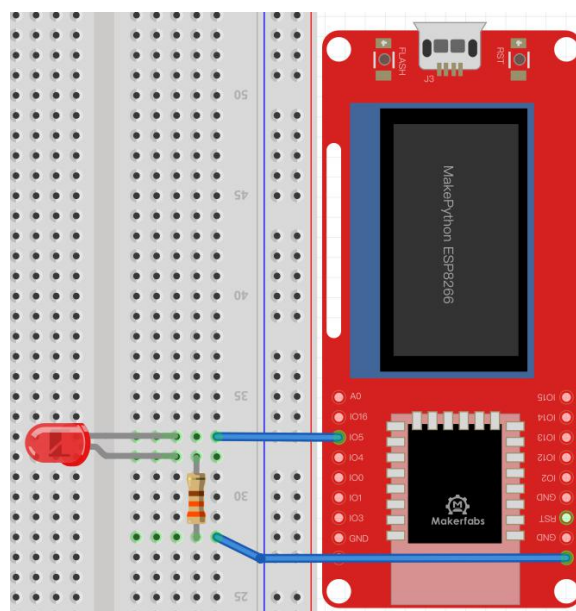
We will demonstrate how to use the ESP8266 board to generate a PWM signal. For example, by changing duty cycle to reduce the brightness of LED, control steering gear rotation Angle.

Material:

- 1*Servomotor;
- 1*LED, resistance;
- 1*330R;
- Breadboard and jump wires

Instructions: By adjusting the ratio of LED brightness to off in one cycle, the LED brightness can be adjusted. For example, the control cycle of PWM is 100ms, where 33ms is high level and 67ms is low level, and the duty cycle is $33/100=33\%$

Wiring: Connect the long LED pin to the end of the 330R resistor, the other end of the resistance is connected to 3.3V, the short pin of the LED lamp is connected to the IO5 of ESP8266. As follows:



Create a new **PWM** file with the following code and comments:

```
from machine import Pin, PWM
import time

frequency = 5000          #set frequency
led = PWM(Pin(5), frequency) #create PWM object from pin5,Set frequency

try:
    while True:
        for duty_cycle in range(0, 1024): #duty_cycle cycles between 0 and 1024
            led.duty(duty_cycle)          #duty cycle size of LED lights
            time.sleep_ms(2)              #delay of 2 ms
except KeyboardInterrupt:
    pass
```

Grammar explanation:

- `led = PWM(Pin(5), frequency):`

Create the PWM object and set the default frequency

- `range():`

The range() function creates a list of integers and is used in a for loop

- `for:`

the for loops can traverse any sequence of items, such as a list or a string

- `led.duty():`

The larger the `duty_cycle` value of the led, the brighter the led.

The experimental results:

The LED brightness goes from full bright to dark, then full bright again, and the cycle around, like a breath, which we called “breathing LED”

Next, we will deepen our understanding of PWM by controlling the steering gear

Servo motor is widely used in robot applications. It is an automatic control system composed of dc motor, reduction gear, sensor and control circuit, the rotation angle of the output shaft determined by the input PWM signal. Servo motors generally have a maximum rotation Angle (e.g. 180 degrees).The main difference between dc motor and ordinary dc motor is that dc motor turns in circles, and servo motor can only turn in a certain Angle, not in circles

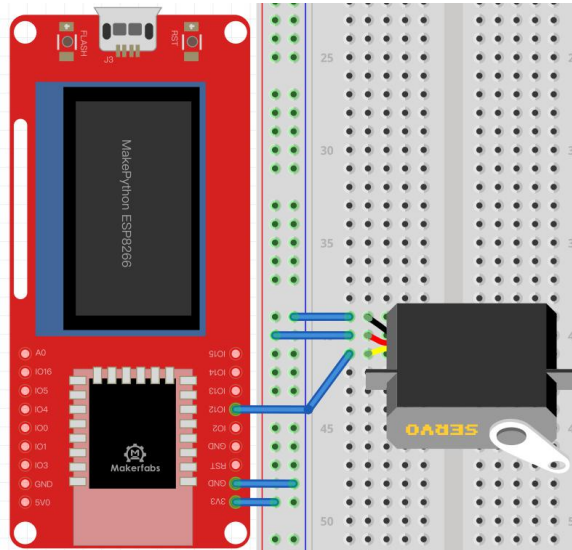
Module display:



Instructions: Orange line: Signal , Red line: Power , Brown line: GND

The way the servos work is to send them a fixed frequency square wave signal (usually 50Hz for analog servos, but digital ones may also accept up to 300Hz) : we can use the duty method to set the Angle, calling the **servo.duty ()** method to change the set servo angle

Wiring:The orange line is connected to IO12, the red line is connected to 3.3v, and the brown line is connected to GND:



Create a new **Servo_Demo** file with the following code and comments:

```
import machine
import time

p12 = machine.Pin(12)
servo = machine.PWM(p12,freq=50)

try:
    for i in range(0, 180):
        servo.duty(i)
        time.sleep_ms(10)
except KeyboardInterrupt:
    pass
```

Grammar explanation:

- `servo = machine.PWM(p12,freq=50):`

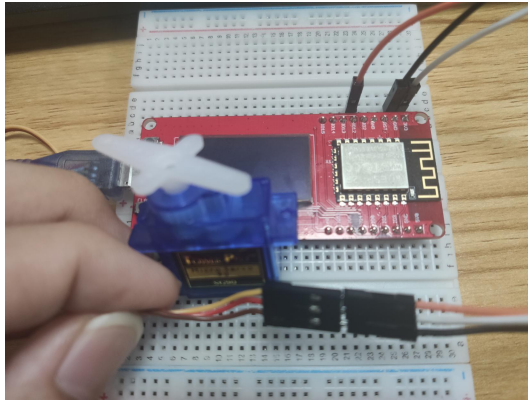
Create the PWM object and set the frequency to 50Hz

- `servo.duty(i):`

Adjust the duty cycle

The experimental results:

The servo motor keeps turning.



You can also sent the commands to the board to make the servo rotate to any position you want, which is much more convenient in robot application debugs:

```
>>>servo.duty(120)
```

```
Ready to download this file,please wait!  
..  
download ok  
exec(open('servo-demo.py').read(),globals())  
>>> servo.duty(120)  
>>> |
```

Then the servo will rotate to the position of 120 degree. You can adjust the position by sending commands

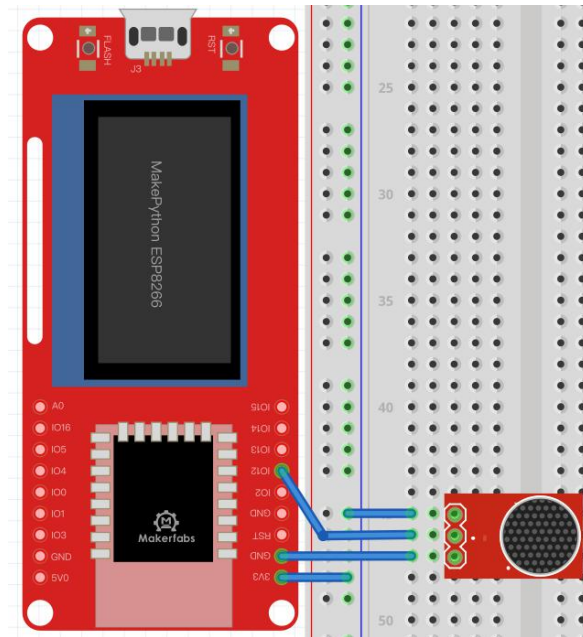
5. Lesson5: Voice Control

This experiment will use the buzzer and sound sensor module to do some experiments on sound.



Instructions: according to the driving mode is mainly divided into active buzzer and passive buzzer, active buzzer needs dc voltage can drive, passive buzzer needs a specific frequency of vibration signal to drive.The experiment use an active buzzer.

wiring: VCC is connected to 3.3v,GND is connected to GND, and I/O is connected to IO12:



Create a **Buzzer** file with code and comments:

```

from machine import Pin,PWM
import time

pwm=PWM(Pin(12))

def ambulanceSiren(pwm):
    pwm.freq(400)
    pwm.duty(512)
    time.sleep_ms(500)
    pwm.freq(800)
    time.sleep_ms(500)
    pwm.deinit()

try:
    while True:
        ambulanceSiren(pwm)
except KeyboardInterrupt:
    pass

```

Grammar explanation:

- Def:

Define your own functions, beginning with the def keyword, followed by the function identifier name and parentheses (), within which you can pass arguments and arguments.

- `pwm.freq(400):`

Set the frequency at 400Hz, different frequencies produce different sounds

The experimental results:

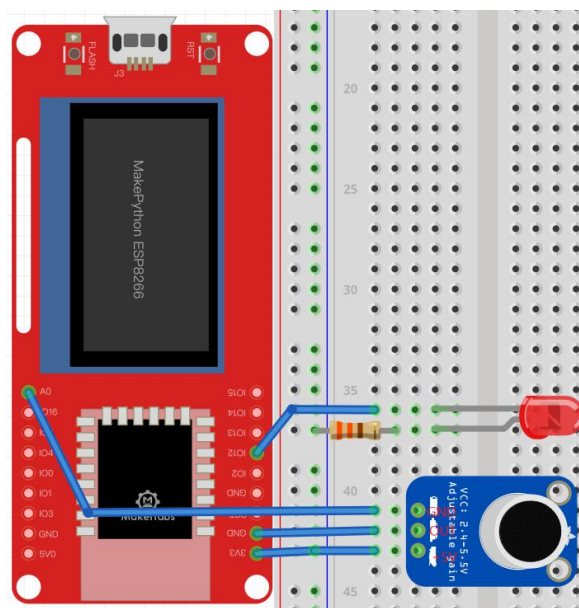
You can hear the sound of an ambulance whistle, but you can also modify `pwm.freq()` to simulate other sounds.

Next we make a sound control switch that controls the LED with sound



Instructions: the sound intensity of the surrounding environment can be detected. When the sound of the external environment fails to reach the set threshold, OUT outputs a high level; when the sound intensity of the environment reaches the set threshold, module OUT outputs a low level. The blue digital potentiometer on the module can be used to adjust the sensitivity.

Wiring: VCC is connected to 5V(3V3), GND is grounded, OUT is connected to A0, and LED is connected to IO12:



Create **Voice** files, code, and comments:

```
from machine import Pin,ADC
import time

led=Pin(12,Pin.OUT) #create LED object from pin12,Set Pin12 to output

try:
    while True:
        adc = ADC(0) #Create an ADC object on an ADC pin
        adcValue=adc.read() #ADC data acquisition
        time.sleep_ms(10)
        if(adcValue>512):
```

```
led.value(0)          #turn on
time.sleep(1)
else:
led.value(1)          #turn off
except KeyboardInterrupt:
pass
```

The experimental results:

When you clap your hands or snap your fingers, you'll notice that the light is on for 1 seconds.

6. Lesson6: OLED Display

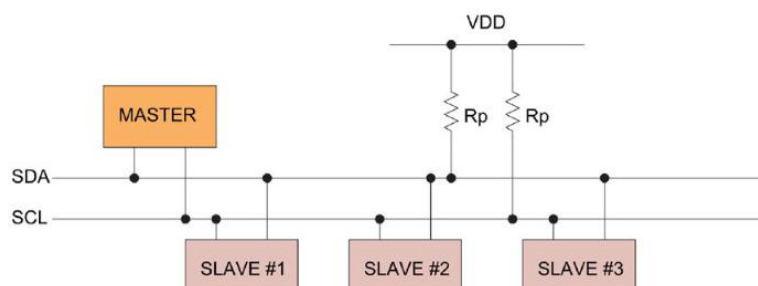
There an on-board OLED 1.3' OLED module on MakePython board, with 128x64 pixel..One pixel of a monochrome screen is a light-emitting diode. OLED is "self-illumination", the pixel itself is the light source, so the contrast is very high. OLED screens have I2C and SPI communication protocols, which are completely incompatible due to different protocols. In our lesson, the OLED is configured to compatible with I2C protocol

Material:

- MakePython ESP8266:



I2C communication: I2C is widely used for controller communicating with onboard components such as sensors/ displays. Data transmission can be completed by only two signal lines, respectively clock line SCL and signal line SDA. There is only one main device Master and several Slave devices on the I2C line. In order to ensure that both buses are at high level when idle, SDA and SCL must be connected with the pull resistor. The classical value of the pull resistor is 10K.




Download library function:

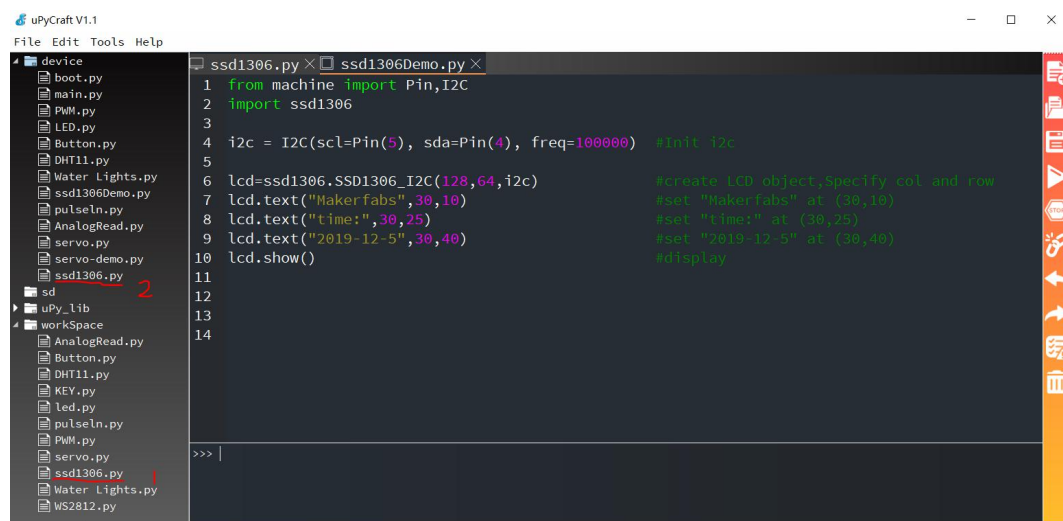
Since the OLED screen use the SSD1306 driver chip, we need to download the driver of SSD1306. You can go to the [github](https://www.makepython.com/makepython-esp8266-starter-kit.html) website to search and download the library of SSD1306 or click the following link:

<https://www.makepython.com/makepython-esp8266-starter-kit.html>

Load library function:

After downloading, save **ssd1306.py** to the **workSpace** file directory.

In the **workSpace** directory, click open the **ssd1306.py** file and click  run, and the library file can be loaded into the device directory. At this time, the library file of **ssd1306.py** has been successfully loaded into MakePython ESP8266, which can be called with the **import ssd1306** statement. Create a new **ssd1306demo.py** file to write the code. As shown in figure:



```
1 from machine import Pin,I2C
2 import ssd1306
3
4 i2c = I2C(scl=Pin(5), sda=Pin(4), freq=100000) #init i2c
5
6 lcd=ssd1306.SSD1306_I2C(128,64,i2c) #create LCD object,Specify col and row
7 lcd.text("Makerfabs",30,10) #set "Makerfabs" at (30,10)
8 lcd.text("time:",30,25) #set "time:" at (30,25)
9 lcd.text("2019-12-5",30,40) #set "2019-12-5" at (30,40)
10 lcd.show() #display
11
12
13
14
```

Create a new **ssd1306Demo** file, code and comments:

```
from machine import Pin,I2C
import ssd1306

i2c = I2C(scl=Pin(5), sda=Pin(4), freq=100000) #Init i2c

lcd=ssd1306.SSD1306_I2C(128,64,i2c) #create LCD object,Specify col and row
lcd.text("Makerfabs",30,10) #set "Makerfabs" at (30,10)
lcd.text("time:",30,25) #set "time:" at (30,25)
lcd.text("2019-12-5",30,40) #set "2019-12-18" at (30,40)
lcd.show() #display
```

Grammar explanation:

- I2C():

Initialize, configure the SCL and SDA pins, and set the frequency at 100000Hz.

- lcd.text():

Something to display, The following Numbers are the X and Y axes of the display

- `lcd.show();`

Turn on display function

The experimental results:

Save and click run, and you'll see `Makerfabs/time:/2019-12-5`; You can also make it display your own name, etc. Just use the `LCD.text()` statement to write what you want to display.

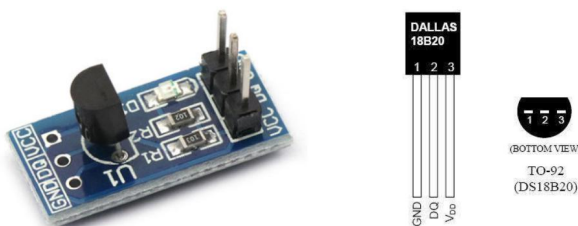


7. Lesson7: Temperature Monitor DS18B20

DS18B20 is a low-cost digital temperature sensor. Its measurement range is between -55°C and 125°C , with an inherent error of 1°C and an accuracy of 0.5°C between -10°C and 85°C , which can meet the daily temperature measurement needs.

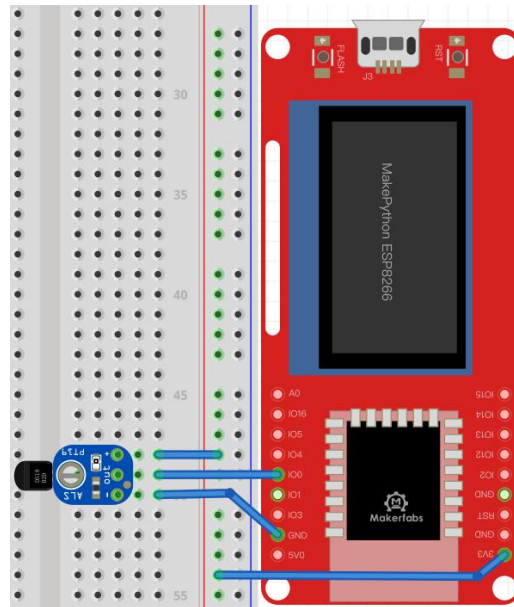
DS18B20 uses OneWire (single-wire) communication protocol, which only needs a signal line to complete the reading and writing of data. Power supply is also allowed to have two modes: independent power supply and data parasitic power supply. In the parasitic power supply mode, the power line is grounded, and the power is obtained from the data line, which can save a connection line. Here we show you how to read data using the OneWire protocol.

Module pictures:



Instructions: 1:GND, 2:Data pin, need to connect the pull resistor (connect a 10k resistor to 3.3v),3:VDD

Wiring: The GND pin is connected to GND, VCC pin is connected to 3v3, and the DQ pin is connected to IO0.



* if there is no `ssd1306.py` file in the device directory, please download `ssd1306.py` first. Refer to lesson 6
 Create a new **DS18B20Demo** file, code and comments:

```

from machine import Pin,I2C
import ssd1306
import time
import machine
import onewire, ds18x20

dat = machine.Pin(0)      # the device is on GPIO0
i2c = I2C(scl=Pin(5), sda=Pin(4), freq=100000)    #Init i2c
lcd=ssd1306.SSD1306_I2C(128,64,i2c)              #create LCD object,Specify col and row

ds = ds18x20.DS18X20(onewire.OneWire(dat))      # create the onewire object
roms = ds.scan()                               # scan for devices on the bus

try:
    while True:
        ds.convert_temp()
        time.sleep_ms(750) #The reading temperature needs at least 750ms
        for rom in roms:
            lcd.fill(0)
            lcd.text("temperatures:",10,16)
            lcd.text(str(ds.read_temp(rom)),24,40)
            lcd.show()
except KeyboardInterrupt:
    pass

```

Grammar explanation:

- `scan()`:

scan for devices on the bus

- `convert_temp():`

Start temperature reading

- `read_temp():`

Read the collected temperature

- `fill(n):`

Empty the screen when $n=0$, and fill the screen when $n>$ is 0

The experimental results:

After running, the temperature collected on the display screen appears, which is refreshed every 750ms



8. Lesson8: Digital LED WS2812

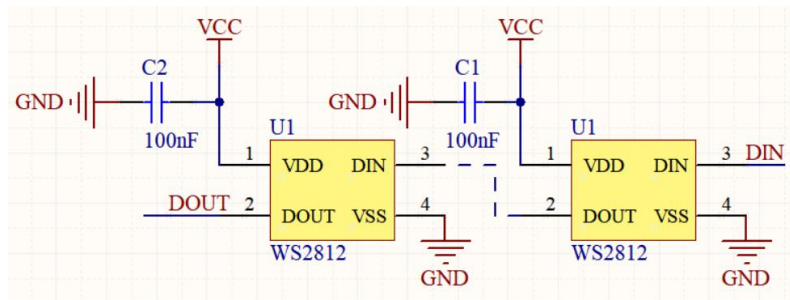
WS2812 is an integrated chip low-power RGB trichromatic lamp, chips and full-color legs wrapped together, only 4 pins, each one chip as a full-color "pixel", each pixel end, DIN client receive the data from the controller transfer to come over, every pixel of transmission, signal 24 bit to reduce, all the way.

This experiment will teach you how to make colorful LED light rings.

Module pictures:

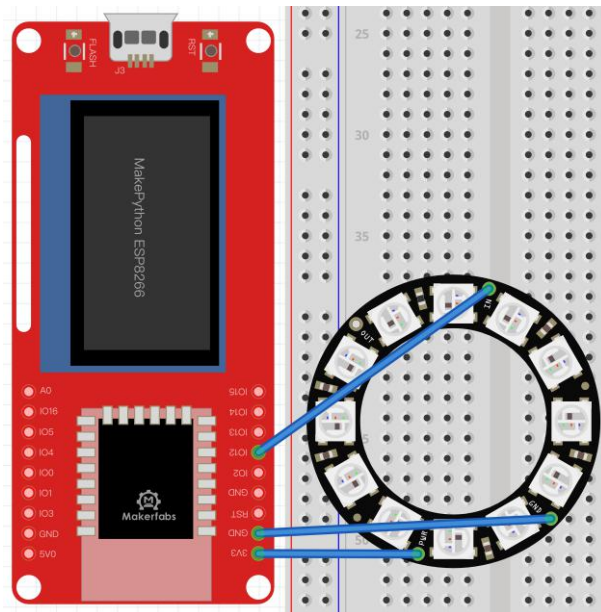


Schematic:



Wiring: VDD is connected to 3.3V/5V, VSS is connected to GND, DIN is connected to IO12 of the

board:



Create a new **ws2812Demo** file, code and comments:

```
import machine, neopixel
import time

n = 12 #Define LED quantity
np = neopixel.NeoPixel(machine.Pin(12), n) #Create the NeoPixe object

def demo(np):
    #n = np.n

    # Circular effect. One pixel runs through all strip positions, while the others are closed.
    for i in range(4 * n):
        for j in range(n):
            np[j] = (0, 0, 0)
            np[i % n] = (255, 255, 255)
            np.write()
            time.sleep_ms(25)

    #Rebound effect and set color (R,G,B), as well as wait time.
    #Wait time determines the speed of the bounce effect.
    for i in range(4 * n):
        for j in range(n):
            np[j] = (0, 0, 128)
            if (i // n) % 2 == 0:
                np[i % n] = (0, 0, 0)
            else:
                np[n - 1 - (i % n)] = (0, 0, 0)
            np.write()
```

```

        time.sleep_ms(60)
try:
    while True:
        demo(np)
except KeyboardInterrupt:
    Pass

```

Grammar explanation:

- `np = neopixel.NeoPixel(machine.Pin(12), n):`

Create the NeoPixel object from pin12, set LED quantity

- `np[i] = (r, g, b):`

r, g, b: red, green, and blue color channels are each divided into 256 degrees of brightness, with values ranging from 0 to 255, with 0 being the darkest and 255 being the brightest

- `"*":`

Multiply - multiply the two Numbers

- `"%":`

Mod - returns the remainder of division

- `"//":`

Take the integral part of the divisible - return quotient

- `np.write():`

Use the write() method to output the colours to the LED

The experimental results:

Running the code, you can see the brightest white light in the loop, followed by the half-bright blue light bouncing back and forth. You can make colored lights by changing the **r, g,** and **b** values of `np[i]` to get different colors and brightness.



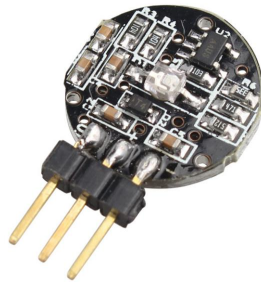
9. Lesson9: Pulse Sensor

The Pulse Sensor is a photoelectric reflex analog sensor for pulse and heart rate measurement. Wear it on finger, earlobe and so on, make use of the body tissue in the vascular pulse caused by different transmittance to measure pulse. The sensor filters and amplifies the photoelectric signal, and

finally outputs the simulated voltage value. Then the heart rate value can be obtained by simple calculation.

In this experiment, ADC will be learned through the Pulse Sensor module, and the results will be displayed on the OLED screen.

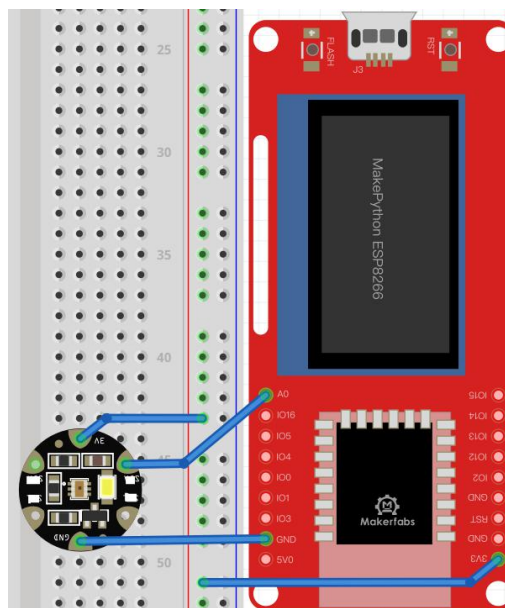
Pulse Sensor module:



Instructions: On the left is the s-pin of the signal output, in the middle is the positive power supply VCC (3.3v ~5V), and on the right is the negative power supply GND.

The special pin for ADC collection is IO0. The input voltage is 0V~ 1.0v and the measured value is 0~1024

Wiring: The s-pin is connected to IO0, the middle pin is connected to 3V3, and the "-" pin is connected to GND:



* if there is no `ssd1306.py` file in the device directory, please download `ssd1306.py` first. Refer to lesson 6

Create a new **pulse** file, code and comments:

```
#from machine import Pin,I2C,RTC
import machine
from micropython import const
import time
import ssd1306
import math
```

```

WIDTH = const(128)      #Set the screen width
HEIGHT = const(64)     #Set the screen high
pscl = machine.Pin(5, machine.Pin.OUT)
psda = machine.Pin(4, machine.Pin.OUT)
i2c = machine.I2C(scl=pscl, sda=psda)
oled = ssd1306.SSD1306_I2C(WIDTH, HEIGHT, i2c)
counttime=0
try:
    while True:
        adc = machine.ADC(0)      #Create an ADC object on an ADC pin
        adcValue=adc.read()      #ADC data acquisition
        oled.line(counttime,34,counttime,adcValue//16,1)  #Drew the heart rate
        oled.show()
        time.sleep_ms(1)
        counttime+=1

        if(counttime>127):
            counttime=0
            oled.fill(0)      #Clear the screen
            oled.show()
except KeyboardInterrupt:
    pass

```

Grammar explanation:

- counttime:

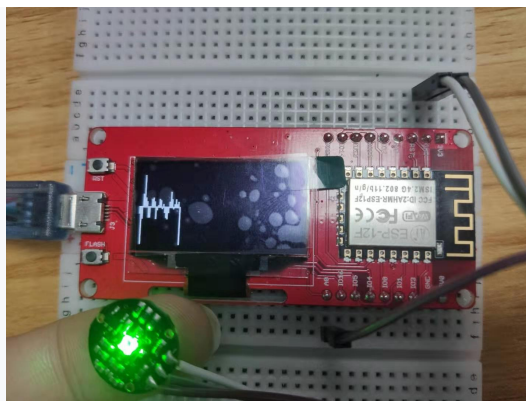
Cache x coordinates (x less than 128)

- line(x,y,x1,y1,c):

Line function,(x,y): starting point coordinate,(x1,y1): ending point coordinate,c: color

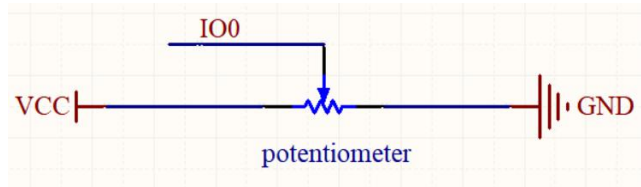
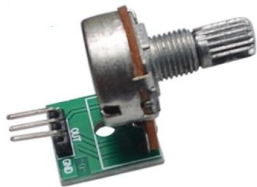
The experimental results:

Touch the side printed with the heart with your finger, the screen will display your heart rate beat line, the module contact instability or vibration, will affect the measurement data, please save the static measurement.



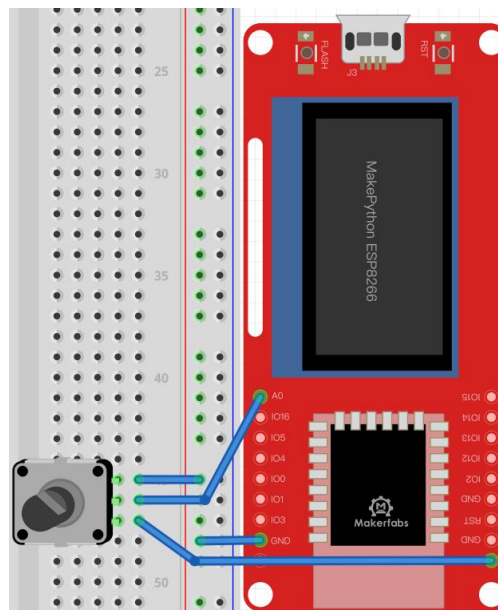
10. Lesson10: AnalogRead

ADC is an Analog/Digital Converter that converts Analog signals into Digital. In the front control LED on, PWM inside, we know the difference between digital signal and analog signal. The signals we use in everyday life, such as light intensity, sound waves, and battery voltages, are all analog values. If we want to measure the analog signal (voltage, light intensity, sound wave) through the single-chip microcomputer and express it by digital signal, then we need ADC analog digital signal converter



Instructions: Potentiometer is an adjustable resistor with three leading ends and resistance values that can be adjusted according to a certain variation law. A potentiometer usually consists of a resistor body and a movable brush. When the brush moves along the resistance body, the resistance value or voltage in relation to the displacement is obtained at the output end.

Wiring : The pins on the left and right sides are connected to 3.3V and GND of the plate respectively, the middle pin is connected to IO0:



* if there is no `ssd1306.py` file in the device directory, please download `ssd1306.py` first. Refer to lesson 6
Create a new `ssd1306_adc` file, code and comments:

```
#from machine import Pin,I2C,RTC
import machine
from micropython import const
import time
import ssd1306
import math
```

```

WIDTH = const(128)    #Set the screen width
HEIGHT = const(64)   #Set the screen high
pscl = machine.Pin(5, machine.Pin.OUT)
psda = machine.Pin(4, machine.Pin.OUT)
i2c = machine.I2C(scl=pscl, sda=psda)
oled = ssd1306.SSD1306_I2C(WIDTH, HEIGHT, i2c)

def circle(x,y,r,color,fill=0):    #A circular function
    if(fill==0):
        for i in range(x-r,x+r+1):
            oled.pixel(i,int(y-math.sqrt(r*r-(x-i)*(x-i))),color)
            oled.pixel(i,int(y+math.sqrt(r*r-(x-i)*(x-i))),color)
        for i in range(y-r,y+r+1):
            oled.pixel(int(x-math.sqrt(r*r-(y-i)*(y-i))),i,color)
            oled.pixel(int(x+math.sqrt(r*r-(y-i)*(y-i))),i,color)
    else:
        for i in range(x-r,x+r+1):
            a=int(math.sqrt(r*r-(x-i)*(x-i)))
            oled.vline(i,y-a,a*2,color)

        for i in range(y-r,y+r+1):
            a=int(math.sqrt(r*r-(y-i)*(y-i)))
            oled.hline(x-a,i,a*2,color)

try:
    while True:
        adc = machine.ADC(0)    #Create an ADC object on an ADC pin
        adcValue=adc.read()    #ADC data acquisition
        time.sleep_ms(10)
        oled.fill(0)
        circle(64,32,adcValue//16,1,1)
        oled.text(str(adcValue),100,0)
        oled.show()
except KeyboardInterrupt:
    pass

```

Grammar explanation:

- `adc0.read()`:

Read ADC sampled data

- `def circle()`:

Custom draw circle function that USES `sqrt()` function to calculate the radius of the circle

- `math.sqrt(r)`:

Returns the square root of the number

- `pixel(x,y,c)`:

Draw the point at (x,y)

- `hline(x,y,w,c):`

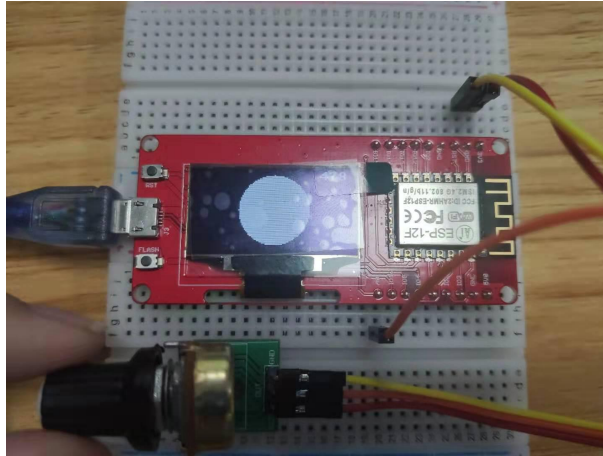
Draw a horizontal line, starting at (x,y), length w

- `vline(x,y,w,c):`

Draw a vertical line, starting at (x,y), with a height of w

The experimental results:

By rotating the potentiometer, the circle on the OLED display becomes larger or smaller, and the ADC value collected is displayed in the upper right corner, ranging from 0 to 1024.



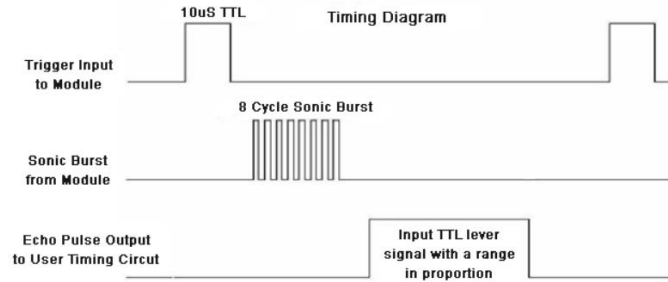
11. Lesson11: Ultrasonic Ranging

The ultrasonic module is for obstacle & distance measurement. It has stable performance, accurate measurement distance and high precision. The module includes ultrasonic transmitter, receiver and control circuit. Application: robot obstacle avoidance, object ranging, etc

Ultrasonic module:

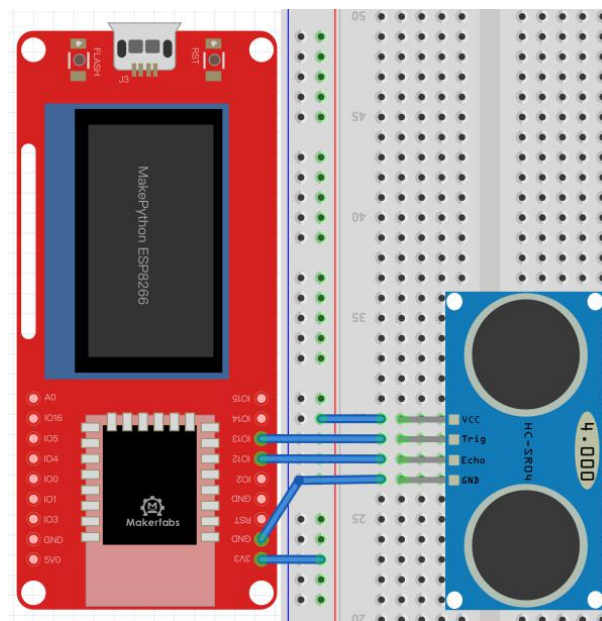


Sequence diagram:



Ranging principle: to module 1 at least 10 us high level, began after launch eight modules receive the high level of 40 KHZ sound waves, echo the feet will be changed from 0 to 1, MCU start timing, when the ultrasonic module receives the returned acoustic echo from 1 to 0, MCU stop timing, this time is the total time range, in a voice the speed of 340 m/SEC, in addition to 2 is distance.

Wiring: VCC is connected to 5V, GND is connected, Trig is connected to IO13, and Echo is connected to IO12:



Library function download link:

<https://www.makerfabs.com/makepython-esp8266-starter-kit.html>

As before, place the **hcsr04.py** file in the workSpace directory, open it, click run, and load it into the device directory.

* if there is no **ssd1306.py** file in the device directory, please download **ssd1306.py** first. Refer to lesson 6

Create a new **hc_sr04** file, code and comments:

```
from hcsr04 import HCSR04
from machine import Pin,I2C
import ssd1306

i2c = I2C(scl=Pin(5), sda=Pin(4), freq=100000)      #Init i2c
lcd=ssd1306.SSD1306_I2C(128,64,i2c)
```

```

sensor = HCSR04(trigger_pin=13, echo_pin=12,echo_timeout_us=1000000)

try:
    while True:
        distance = sensor.distance_cm()
        if(distance == sensor.distance_cm()):
            lcd.fill(0)
            lcd.text("Distance:",30,20)
            lcd.text(str(distance),30,40)
            lcd.show()
except KeyboardInterrupt:
    pass

```

Grammar explanation:

- HCSR04():

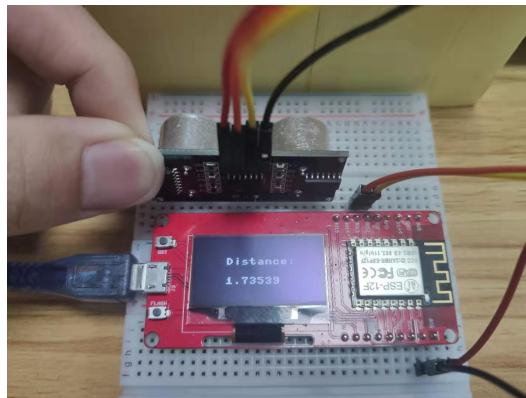
Set IO port and timeout reminder,

- sensor.distance_cm():

Returns the result of the test distance.

The experimental results:

Point the module at objects in different directions and the OLED displays the distance.



Expand:

Calling the corresponding library is very convenient, but if you can't find the right library or do not have this library, you need to write the module driver and corresponding procedures, we use ultrasonic module to do experiments, write the driver to achieve its function.

First understand the working principle of the module, look at the sequence diagram, for better understanding. You can review how this module works. Step 1: you need to give the Trig pin a high level of 10us, step 2: calculate the time when the Echo pin is in the high level, and step 3: calculate the distance according to the time.

Create a new **HC-SR04Demo** file, **Code and comments:**

```

from machine import Pin,I2C
import ssd1306
import machine

```

```

import time
i2c = I2C(scl=Pin(5), sda=Pin(4), freq=100000)    #Init i2c
lcd = ssd1306.SSD1306_I2C(128, 64, i2c)

trig = Pin(13,Pin.OUT, pull=None)
echo = Pin(12, Pin.IN, pull=None)
trig.value(0)
echo.value(0)

def send_pulse_and_wait(echo_timeout_us=500*2*30):
    trig.value(0) # Stabilize the sensor
    time.sleep_us(5)
    trig.value(1)
    # Send a 10us pulse.
    time.sleep_us(10)
    trig.value(0)
    try:
        pulse_time = machine.time_pulse_us(echo, 1, echo_timeout_us)
        return pulse_time
    except OSError as ex:
        if ex.args[0] == 110: # 110 = ETIMEDOUT
            raise OSError('Out of range')
        raise ex

def distance_cm():
    pulse_time = send_pulse_and_wait()
    cms = (pulse_time / 2) / 29.1
    return cms

def main():
    try:
        while True:
            distance = distance_cm()
            print(distance)
            lcd.fill(0)
            lcd.text("Distance:",30,20)
            lcd.text(str(distance),30,40)
            lcd.show()
    except KeyboardInterrupt:
        pass

main()

```

Grammar explanation:

- `time.ticks_us()`:

Returns an incrementing millisecond counter with any reference point that ends after some value (not specified). This value should be considered opaque and applies only to ticks_diff().

- time.ticks_diff(t2,t1):

Measure the period between successive calls to ticks_ms() and ticks_us(). Calculate the time from t1 to t2

- pass:

Empty statement, do nothing, used as a placeholder statement

The experimental results:

As before, point the module at objects in different directions and the OLED displays the distance.

12. Lesson12: WiFi

MakePython ESP8266 devices have built-in Wifi, which enables us to access it via Wifi, or connect to your home Wifi network. In this lesson, we will learn how to access MakePython with WebREPL(read-evaluate -print-loop), to control the MakePython pins, and the files uploading/downloading, that users can remote control/upload MakePython, without the need of a USB cable, and also how to make the MakePython be a web-server, with socket communication.

1. WiFi connection

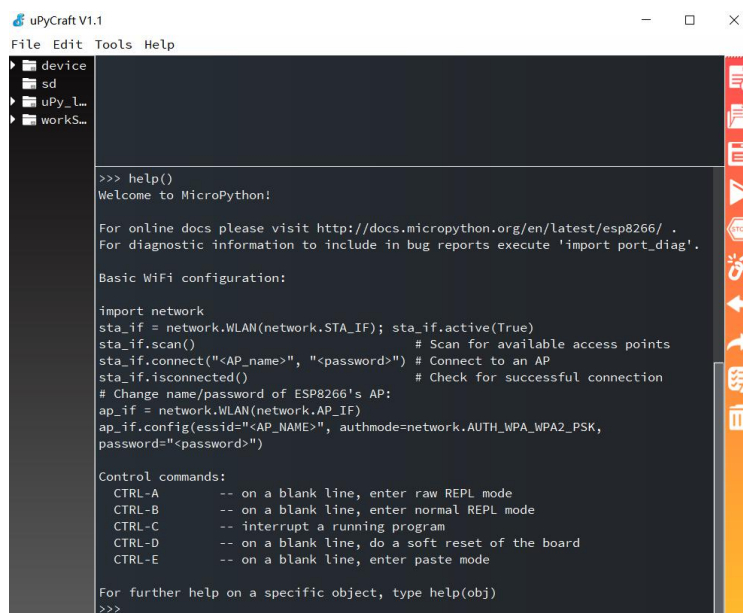
Enter **help()** in MicroPython Shell/terminal, press enter key, and the printed message will prompt you how to set **STA mode** and **AP mode**:

- **STA Mode:**

Each terminal connected to a wireless network can be called a site.

- **AP Mode:**

A wireless access point is the creator of a wireless network and the central node of the network.



```
uPyCraft V1.1
File Edit Tools Help
└─ device
  └─ sd
  └─ uPy_L...
  └─ workS...

>>> help()
Welcome to MicroPython!

For online docs please visit http://docs.micropython.org/en/latest/esp8266/ .
For diagnostic information to include in bug reports execute 'import port_diag'.

Basic WiFi configuration:

import network
sta_if = network.WLAN(network.STA_IF); sta_if.active(True)
sta_if.scan() # Scan for available access points
sta_if.connect("<AP_name>", "<password>") # Connect to an AP
sta_if.isconnected() # Check for successful connection
# Change name/password of ESP8266's AP:
ap_if = network.WLAN(network.AP_IF)
ap_if.config(essid="<AP_NAME>", authmode=network.AUTH_WPA_WPA2_PSK,
password="<password>")

Control commands:
CTRL-A -- on a blank line, enter raw REPL mode
CTRL-B -- on a blank line, enter normal REPL mode
CTRL-C -- interrupt a running program
CTRL-D -- on a blank line, do a soft reset of the board
CTRL-E -- on a blank line, enter paste mode

For further help on a specific object, type help(obj)
>>>
```

You can enter the following code one by one in the MicroPython Shell/terminal to connect:

- Connect to Internet(STA):

```
>>> import network
>>> wlan=network.WLAN(network.STA_IF) #create access-point interface
>>> wlan.active(True) #activate the interface
>>> wlan.scan() #Scan access point
>>> wlan.connect('ap_name','password') #Connect to AP (local WIFI and password)
>>> wlan.isconnected() #Check that the workstation is connected to the AP
>>> wlan.ifconfig() #Get the IP/netmask/gw/DNS address of the interface
```

- #Set up an AP:

```
>>> import network
>>> ap=network.WLAN(network.AP_IF) # create access-point interface
>>> ap.active(True) # activate the interface
>>> ap.config(essid='MKF-AP') # set the ESSID of the access point
>>> ap.ifconfig()
```

Grammar explanation:

- wlan.active(True):

The activation interface will display:#5 ets_task(4020f4d8, 28, 3fff9e30, 10)

- wlan.scan():

Scan the access point and display the network around you

- wlan.connect('ap_name','password'):

Change 'ap_name' and 'password' to your local network name and password to connect

- wlan.isconnected():

If the connection is successful, it will return True, if the connection is unsuccessful, it will return False. You need to check whether the network is correct

- wlan.ifconfig():

After the connection is successful, the address information of the interface is printed

- ap.config(essid='MKF-AP'):

Set AP_name, the password defaults to micropython, or you can replace this code with:ap.config(essid='mkf-ap ',authmode=AUTH_WPA_WPA2_PSK,password='12345678') to set the password to 12345678, or whatever.

Or you can set the connection to WiFi by calling the library provided by us. Here is the download link of the library:

<https://www.makefabs.com/makepython-esp8266-starter-kit.html>

Click to download the **connectwifi.py** file, place it in the **workSpace** directory, open the file and change the **SSID** and **PASSWORD** to local WIF and password.

For example, my WIFI name and password are "Makerfabs" and "20160704", changed to:

```
SSID = "Makerfabs"
PASSWORD = "20160704"
```

```

1 # main.py
2 import network
3 import webrepl
4 import time
5
6 AUTH_OPEN = 0
7 AUTH_WEP = 1
8 AUTH_WPA_PSK = 2
9 AUTH_WPA2_PSK = 3
10 AUTH_WPA_WPA2_PSK = 4
11
12 SSID = "Makerfabs" #Local network name
13 PASSWORD = "20160704" #Local network password
14
15 =def do_connect(ssid,psw):
16     import network
17     import time

```

After saving and clicking run, you can see **network config**, followed by the **IP/netmask/gw/DNS** address of the interface:

```

exec(open('network.py').read(),globals())
#5 ets_task(4020f510, 29, 3fff8fc8, 10)
#6 ets_task(4020f4d8, 28, 3fff9e70, 10)
Local MAC:84:F3:EB:DB:D5:B7
connecting to network...TP-LINK_401
network config: ('192.168.1.100', '255.255.255.0', '192.168.1.1', '192.168.1.1')
>>>

```

* In the library there you can also open the AP mode

2. WebREPL

Before opening WebREPL, we need to enter the following command in the **MicroPython Shell/terminal** to set it up and press enter:

```

>>>import webrepl
>>>import webrepl_setup

```

WebREPL is not turned on by default, follow the prompt to enter: **"E"** (open), you need to set the password here 4-9 characters(in the example I use "12345"), after two consecutive input, confirm WebREPL open successfully, input: **y** to restart the board.

```

>>> import webrepl
>>> import webrepl_setup
WebREPL daemon auto-start status: disabled

Would you like to (E)nable or (D)isable it running on boot?
(Empty line to quit)
> E
To enable WebREPL, you must set password for it
New password (4-9 chars): 12345
Confirm password: 12345
Changes will be activated after reboot
Would you like to reboot now? (y/n) y
>>>


```

The following figure shows that the restart was successful:

```

MicroPython v1.11-8-g48dcbbe60 on 2019-05-29; ESP module with ESP8266
Type "help()" for more information.
>>>

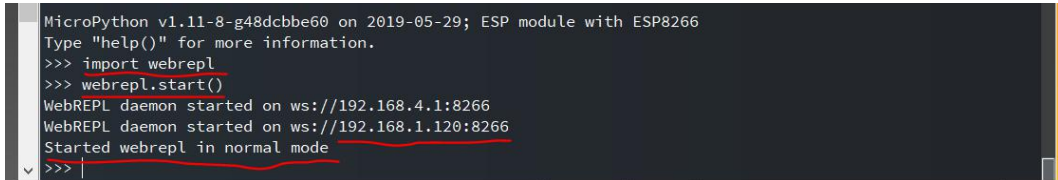
```

**Note: after setting the password, the device directory will automatically generate a webrepl_cfg.py file to save your password. Maybe you didn't refresh it, so you didn't see it. You can try to disconnect it, then click  reconnect, and it will appear.*

Then you can enter the following 2 commands to start the WebREPL:

```
>>>import webrepl
>>>webrepl.start()
```

Then you will see IP address: **ws:// 192.168.1.120-8266**



```
MicroPython v1.11-8-g48dcbbe60 on 2019-05-29; ESP module with ESP8266
Type "help()" for more information.
>>> import webrepl
>>> webrepl.start()
WebREPL daemon started on ws://192.168.4.1:8266
WebREPL daemon started on ws://192.168.1.120:8266
Started webrepl in normal mode
>>>
```

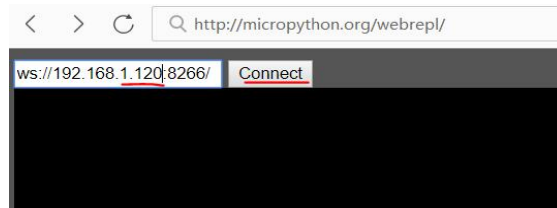
Open the webrepl address link:

<http://micropython.org/webrepl/>

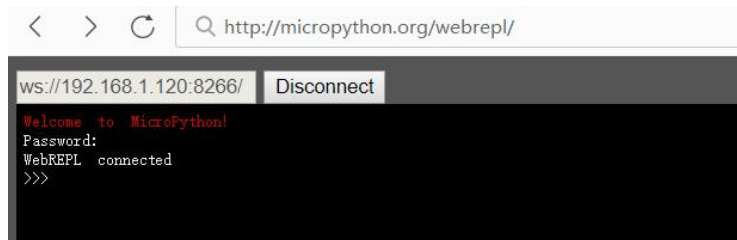
Or click the link to download the local version:

<https://codeload.github.com/micropython/webrepl/zip/master>

Open WebREPL and modify the address to the previously obtained IP address: **ws:// 192.168.1.120-8266**, click connect :



Enter the password you set before and press enter to connect to WebREPL, on which we can send various commands or programs:



By Now, the WebREPL ready to work. You can commit data translation wirelessly, without the USB connection.

Example 1:

Remember how to turn on an LED light? Now you can type the commands via WebREPL to control the LED On/Off:


```

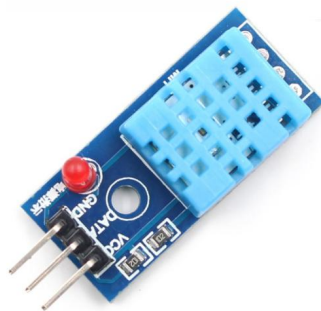
< > ↻ http://micropython.org/webrepl/
ws://192.168.1.120:8266/ Disconnect
Welcome to MicroPython!
Password:
WebREPL connected
>>> from machine import Pin
>>> led = Pin(4, Pin.OUT)
>>> led.value(1)
>>> led.value(0)
>>> █

```

Example 2:

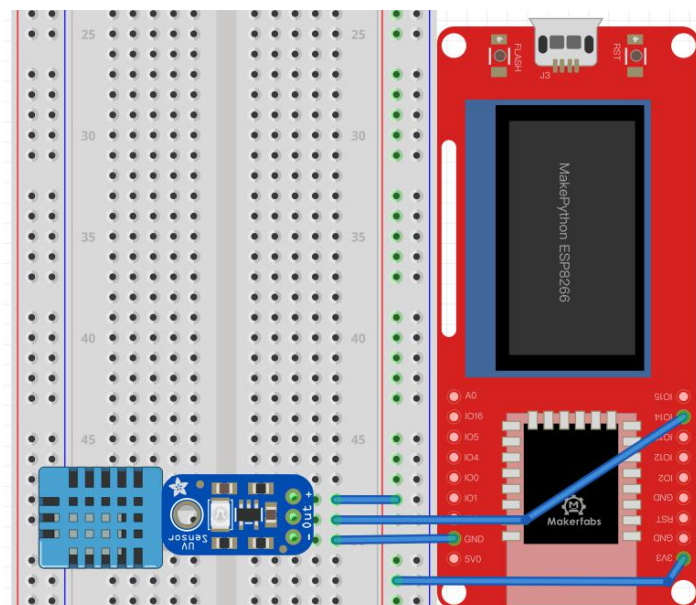
We use the DHT11 module to do an experiment of temperature and humidity measurement and show it through WebREPL

DHT11 module:



Instructions: DHT11 digital temperature and humidity sensor is sensor containing calibrated digital signal output. It applies special digital module acquisition technology and temperature and humidity sensing technology. The sensor consists of a resistive moisture sensor and an NTC temperature sensor. Its precision humidity $\pm 5\%RH$, temperature $\pm 2^{\circ}C$, range humidity 20-90%RH, temperature 0~50 $^{\circ}C$. VCC power positive pole : 3V~ 5.5v, GND: power negative ground, DATA: serial DATA pin;

Wiring: VCC is connected to 3.3v, and DATA is connected to IO14:



Create a new DHT11 file, code and comments:

```
from machine import Pin
import dht
import time

p14=Pin(14, Pin.IN)
d=dht.DHT11(p14)

while True:
    d.measure()          #Measurement of temperature and humidity
    t=d.temperature()   #Read Celsius temperature
    h=d.humidity()      #Read relative humidity
    print("Temperature=", t, 'C', 'Humidity=', h, '%')
    time.sleep(1)       #Delay of 1 second
```

Grammar explanation:

- `measure()`:

Measurement of temperature and humidity

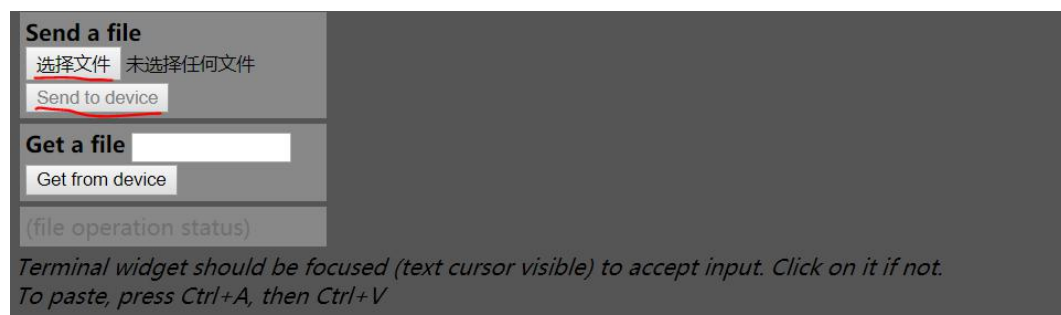
- `temperature()`:

Read Celsius temperature

- `humidity()`:

Read relative humidity

We can upload files through WebREPL and show the effects of temperature and humidity in WebREPL. In the WebREPL, Click **select file** to find the `dht11.py` file stored in the **workSpace** directory, and click **Send** to device:



After sending, enter the command **import os** and **os.listdir()** to view the file directory, which adds a `dht11.py` file to indicate that the upload was successful:

```
>>>import os
>>>os.listdir()
```

Commit the built-in statement of **exec** and execute the file `dht11.py`. Code:

```
>>>exec(open('DHT11.py').read(),globals())
```

```
ws://192.168.1.120:8266/ Disconnect
>>> import os
>>> os.listdir()
['boot.py', 'connectWiFi.py', 'network.py', 'webrepl_cfg.py', 'DHT11.py']
>>> exec(open('DHT11.py').read(),globals())
Temperature= 26 C Humidity= 36 %
Temperature= 26 C Humidity= 34 %
Temperature= 26 C Humidity= 36 %
```

3. Socket communication

Socket communication is the basis of Internet communication. It is the basic operation unit of network communication that supports TCP/IP protocol. To establish Socket communication requires a server side and a client side. This routine will use Python ESP8266 as the client and computer browser as the server side. Both sides will use TCP protocol to transmit and receive data from each other.

Example_1: Socket Communication LED Remote control

In this example, we will make the MakePython as a server with LED, so the customer can assess the LED control remotely with any computer, as he/she get the right IP address.

The **Socket_LED** source code:

```
#webserver.py
import network
import webrepl
import time
from machine import Pin
try:
    import usocket as socket
except:
    import socket

AUTH_OPEN = 0
AUTH_WEP = 1
AUTH_WPA_PSK = 2
AUTH_WPA2_PSK = 3
AUTH_WPA_WPA2_PSK = 4

SSID = "Makerfabs"          #Modify here with SSID
PASSWORD = "20160704"      #Modify here with PWD
led = Pin(5, Pin.OUT)

def web_page():
    html = """<html><head><meta name="viewport" content="width=device-width, initial-scale=1"></head>
<body><h1>Makerfabs Web Server</h1><a href="!?"led=on!"><button>ON</button></a>&nbsp;
<a href="!?"led=off!"><button>OFF</button></a></body></html>"""
```

```

return html

def do_connect(ssid,psw):
    import network
    import time
    #ap = network.WLAN(network.AP_IF)
    #ap.active(True)
    #ap.config(essid='MKF-AP',authmode=AUTH_WPA_WPA2_PSK,password='12345678')
    ap = network.WLAN(network.AP_IF)
    ap.active(False)

    wlan = network.WLAN(network.STA_IF)
    wlan.active(True)
    s = wlan.config("mac")
    mac = ("%02x:%02x:%02x:%02x:%02x:%02x").upper() % (s[0],s[1],s[2],s[3],s[4],s[5])
    print("Local MAC:"+mac) #get mac
    wlan.connect(ssid, psw)
    if not wlan.isconnected():
        print('connecting to network...' + ssid)
        wlan.connect(ssid, psw)

    start = time.ticks_ms()      # get millisecond counter
    while not wlan.isconnected():
        time.sleep(1)           # sleep for 1 second
        if time.ticks_ms()-start > 20000:
            print("connect timeout!")
            break

    if wlan.isconnected():
        print('network config:', wlan.ifconfig())
    return wlan

    #import webrepl
    #webrepl.start()

def connect():
    do_connect(SSID,PASSWORD)

def app():
    connect()
    s = socket.socket(socket.AF_INET, socket.SOCK_STREAM)
    s.bind(('', 80))
    s.listen(5)
    while True:
        conn, addr = s.accept()

```

```

print('Got a connection from %s' % str(addr))
request = conn.recv(1024)
request = str(request)
print('Content = %s' % request)
led_on = request.find('/?led=on')
led_off = request.find('/?led=off')
if led_on == 6:
    print('LED ON')
    led.value(0)
if led_off == 6:
    print('LED OFF')
    led.value(1)
response = web_page()
conn.send('HTTP/1.1 200 OK\n')
conn.send('Content-Type: text/html\n')
conn.send('Connection: close\n\n')
conn.sendall(response)
conn.close()

```

app()

Code download link:

<https://www.makerfabs.com/makepython-esp8266-starter-kit.html>

Grammar explanation:

- `web_page()`:

Create a simple web interface

- `s = socket.socket(socket.AF_INET, socket.SOCK_STREAM):`

Create the socket object, AF_INET->IPV4, SOCK_STREAM->TCP

- `s.bind(address):`

Bindings for service roles

- `s.listen(i):`

Listen, for service roles, i: number of allowed connections, must be greater than 0

- `s.accept():`

Accept the connection for the service role

- `conn.recv():`

Receive data

- `conn.send():`

Send data

- `conn.close():`

Close data connection

The experimental results:

Change SSID and Password to local network name and Password. The LED wiring is the same as Lesson1. When connecting to the router, you can see the IP address printed out of the serial port:

```
local MAC:CC:50:E3:4A:D8:5B
connecting to network...TP-LINK 401
network config: ('192.168.1.126', '255.255.255.0', '192.168.1.1', '192.168.1.1')
```

Enter the IP address printed from the serial port in any browser, with any computer in the same WIFI, to control the LED on/off:



Example_2: Socket Communication Remote Monitoring

In addition to sending command and control LED lights, it can also receive measurement data. The DHT11 module is still used in this experiment. With the Socket communication, the MakyPython can be also a server to detect environment and report to the Internet for sharing. In this example, the MakePython be a temperature& humidity server, so any PC could assess it to get the related info.

Socket_DHT11 Sample code :

```
#main.py
import network
import webrepl
import dht
import time
from machine import Pin

try:
    import usocket as socket
except:
    import socket

AUTH_OPEN = 0
AUTH_WEP = 1
AUTH_WPA_PSK = 2
AUTH_WPA2_PSK = 3
AUTH_WPA_WPA2_PSK = 4

SSID = "xxx"           #Modify here with SSID
PASSWORD = "xxx"      #Modify here with PWD

sensor = dht.DHT11(Pin(14))
```

```

def read_sensor():
    global temp, temp_percentage, hum
    temp = temp_percentage = hum = 0
    try:
        sensor.measure()
        temp = sensor.temperature()
        hum = sensor.humidity()
        print(temp)
        print(hum)
        if (isinstance(temp, float) and isinstance(hum, float)) or (isinstance(temp, int) and isinstance(hum, int)):
            msg = (b'{0:3.1f},{1:3.1f}'.format(temp, hum))
            temp_percentage = (temp+6)/(40+6)*(100)
            # uncomment for Fahrenheit
            #temp = temp * (9/5) + 32.0
            #temp_percentage = (temp-21)/(104-21)*(100)
            hum = round(hum, 2)
            return(msg)
        else:
            return('Invalid sensor readings.')
```

except OSError as e:

```

        return('Failed to read sensor.')
```

```

def web_page():
    html = """<html><head><meta name="viewport" content="width=device-width, initial-scale=1">
<style>body {padding: 20px; margin: auto; width: 50%; text-align: center;}
.progress {background-color: #F5F5F5;} .progress.vertical {position: relative;
width: 25%; height: 60%; display: inline-block; margin: 20px;}
.progress.vertical > .progress-bar {width: 100% !important;position: absolute;bottom: 0;}
.progress-bar {background: linear-gradient(to top, #f5af19 0%, #f12711 100%);}
.progress-bar-hum {background: linear-gradient(to top, #9CECFB 0%, #65C7F7 50%, #0052D4 100%);}
p {position: absolute; font-size: 1.5rem; top: 50%; left: 50%; transform: translate(-50%, -50%); z-index:
5;}</style></head>
<body><h1>Makerfabs DHT Sensor</h1><div class="progress vertical">
<p>"""+str(temp)+"""C</p>
<div role="progressbar" style="height: """+str(temp_percentage)+"""%; "
class="progress-bar"></div></div><div class="progress vertical">
<p>"""+str(hum)+"""%</p>
<div role="progressbar" style="height: """+str(hum)+"""%; " class="progress-bar
progress-bar-hum"></div></div></body></html>"""
    return html

def do_connect(ssid, psw):
    import network
    import time
```

```

#ap = network.WLAN(network.AP_IF)
#ap.active(True)
#ap.config(essid='MKF-AP',authmode=AUTH_WPA_WPA2_PSK,password='12345678')
ap = network.WLAN(network.AP_IF)
ap.active(False)

wlan = network.WLAN(network.STA_IF)
wlan.active(True)
s = wlan.config("mac")
mac = ("%02x:%02x:%02x:%02x:%02x:%02x").upper() %(s[0],s[1],s[2],s[3],s[4],s[5])
print(" Local MAC:"+mac) #get mac
wlan.connect(ssid, psw)
if not wlan.isconnected():
    print('connecting to network...' + ssid)
    wlan.connect(ssid, psw)
start = time.ticks_ms() # get millisecond counter
while not wlan.isconnected():
    time.sleep(1) # sleep for 1 second
    if time.ticks_ms()-start > 20000:
        print("connect timeout!")
        break
if wlan.isconnected():
    print('network config:', wlan.ifconfig())
return wlan

def connect():
    do_connect(SSID,PASSWORD)

def app():
    connect()
    s = socket.socket(socket.AF_INET, socket.SOCK_STREAM)
    s.bind(("", 80))
    s.listen(5)
    while True:
        conn, addr = s.accept()
        print('Got a connection from %s' % str(addr))
        request = conn.recv(1024)
        print('Content = %s' % str(request))
        sensor_readings = read_sensor()
        print(sensor_readings)
        response = web_page()
        conn.send('HTTP/1.1 200 OK\n')
        conn.send('Content-Type: text/html\n')

```



```
conn.send('Connection: close\n\n')
conn.sendall(response)
conn.close()

app()
#read_sensor()
```

Code download link:

<https://www.makerfabs.com/makepython-esp8266-starter-kit.html>

Please refer to the previous examples for code comments and DHT11 wiring. It will not be repeated here.

The experimental results:

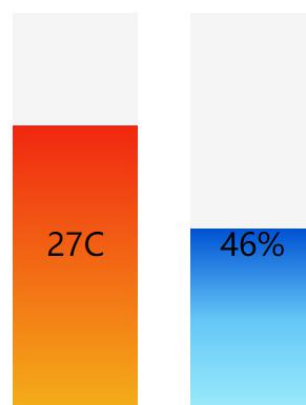
Modify **SSID** and **PASSWORD**, restart. If the program runs and connects to the router, the serial port can be seen to print out the IP address:

```
local MAC:CC:50:E3:4A:D8:5B
connecting to network... TP-LINK 401
network config: ('192.168.1.126', '255.255.255.0', '192.168.1.1', '192.168.1.1')
```

Open your IP with your classmates& colleagues, any computer in the WIFI could access this temperature& humidity monitor now, by entering the IP address in any browser:



Makerfabs DHT Sensor



***note:** some browsers are not supported, this example was tested using the Chrome browser

III. Troubleshooting

We've discovered some common problems and error messages that occur with uPyCraft IDE. Usually restarting your ESP with the on-board RST button fixes your problem. Or pressing the uPyCraft IDE "Stop" button and repeating your desired action. In case it doesn't work for you, read these next common errors and discover how to solve them

Error #1: You get the following message:

```
>>> Select Serial Port could not open port 'COM4': FileNotFoundError(2, 'The system cannot find the file specified.', None, 2)|
```

Or an equivalent message:

```
>>> could not open port 'COM4': PermissionError(13, 'A device attached to the system is not functioning.', None, 31)|
```

Unplug, and plug back your ESP board. Then, double-check that you've selected the right serial port in the Tools > Serial menu. Then, click the "Connect/disconnect" button to establish a serial communication. You should now be able to upload a new script or re-run new code.

This error might also mean that you have your serial port being used in another program (like a serial terminal or in the Arduino IDE). Double-check that you've closed all the programs that might be establishing a serial communication with your ESP board. Then, unplug and plug back your ESP board. Finally, restart the uPyCraft IDE – try to select the serial port in the Tools > Serial menu.

Error #2: Trouble uploading a new script.

```
>>> already in download model,please wait.|
```

Press the "Stop" button in uPyCraft IDE (1 or 2 times) to make sure any code that was running stops. After that, press the "Download and run" button to upload the new script to your ESP board.

Error #3: After uploading a new script, if you see the following message:

```
>>>
Ready to download this file,please wait!
...
download ok
os.listdir('.')
Traceback (most recent call last):
File "<stdin>", line 1, in <module>
NameError: name 'os' isn't defined
```

Or this message:

```
>>>
Ready to download this file,please wait!
...
download ok
os.listdir('.')
OSError: [Errno 98]
```

It means the new file was uploaded to your board successfully. You can notice that it printed the “download ok” message. Press the ESP on-board “EN/RST” button to restart your board and re-run the new uploaded script from the beginning.

Error #4: Problem restarting your ESP board, running a new script or opening the serial port:

```
>>>
Brownout detector was triggered
```

The “Brownout detector was triggered” error message means that there’s some sort of hardware problem. It’s often related to one of the following issues:

- Poor quality USB cable;
- USB cable is too long;
- Board with some defect (bad solder joints);
- Bad computer USB port;
- Or not enough power provided by the computer USB port

Solution: try a different shorter USB cable (with data wires), try a different computer USB port or use a USB hub with an external power supply.

Important: if you keep having constant problems or weird error messages, we recommend re-flashing your ESP board with the latest version of MicroPython firmware: Flash/Upload MicroPython Firmware to ESP8266.(The next chapter will have specific tutorials)

Error #5: When I try to open a serial communication with the ESP32/ESP8266 in uPyCraft IDE, sometimes it prompts the “Burn Firmware” window asking to re-flash the MicroPython firmware.

Basically, we think this is what’s happening: when you’re running a script in your board, sometimes it’s busy running that script and performing the tasks. So, you need to try opening the COM port multiple times or restart the ESP to catch it available to establish the serial communication with uPyCraft IDE.

If you’re running a script that uses Wi-Fi, deep sleep, or it’s doing multiple tasks, I recommend trying 3 or 4 times to establish the communication. If you can’t, I recommend re-flash the ESP with MicroPython firmware.

IV. Flash/Upload MicroPython Firmware to ESP8266

This chapter shows how to flash MicroPython firmware to ESP8266 boards using the uPyCraft IDE software. It works on Windows, Linux, and Mac OS X. Note the MakePython is programmed Micropython by default, that you do not need to do this before the experiments. This is just for Micropython updating.

To download the latest version of MicroPython firmware for the ESP8266, go to the <http://micropython.org/download#esp8266> and scroll all the way down to the ESP8266 section.

You should see a similar web page (see figure below) with the latest link to download the ESP8266 .bin file – for example: esp8266-20180511-v1.9.4.bin.

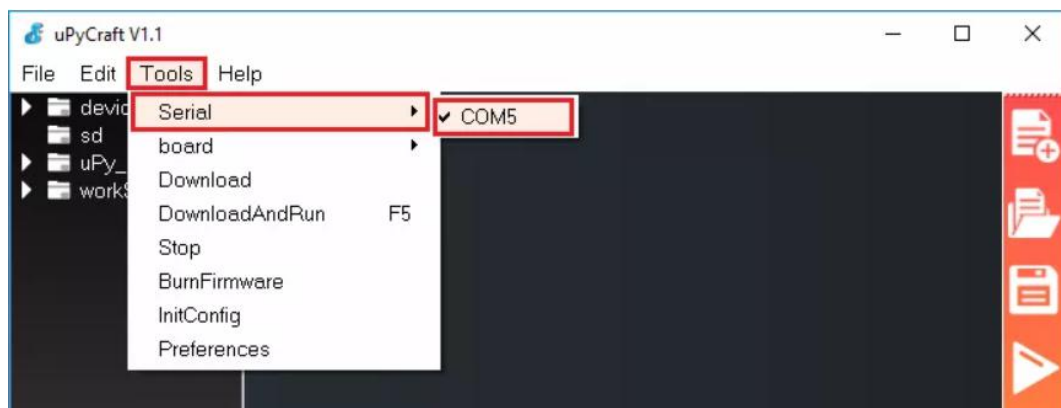
Firmware for ESP8266 boards

The following files are stable firmware for the ESP8266. Program your board using the esptool.py program as described in the tutorial.

- [esp8266-20180511-v1.9.4.bin](#) (elf, map) (latest)
- [esp8266-20171101-v1.9.3.bin](#) (elf, map)
- [esp8266-20170823-v1.9.2.bin](#) (elf, map)

Selecting Serial Port

Go to Tools > Serial and select your ESP8266 COM port (in our case it's COM5).



Important: if you plug your ESP8266 board to your computer, but you can't find the ESP8266 Port available in your uPyCraft IDE, it might be one of these two problems: 1. USB drivers missing or 2. USB cable without data wires.

You can download the CP2102 drivers through the following link:

<https://www.silabs.com/products/development-tools/software/usb-to-uart-b ridge-vcp-drivers>

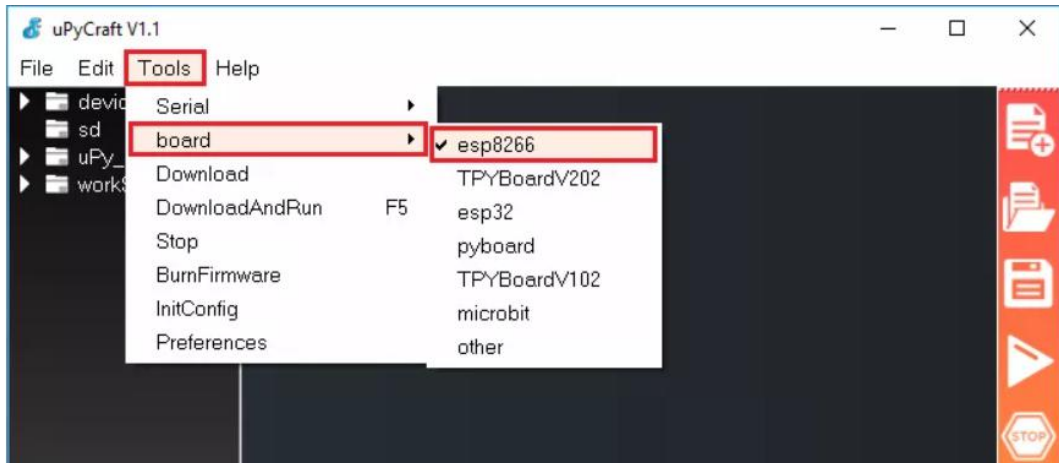
After they are installed, restart the uPyCraft IDE and you should see the COM port in the Tools menu.

If you have the drivers installed, but you can't see your device, double-check that you're using a USB cable with data wires.

USB cables from powerbanks often don't have data wires (they are charge only). So, your computer will never establish a serial communication with your ESP8266. Using a proper USB cable should solve your problem.

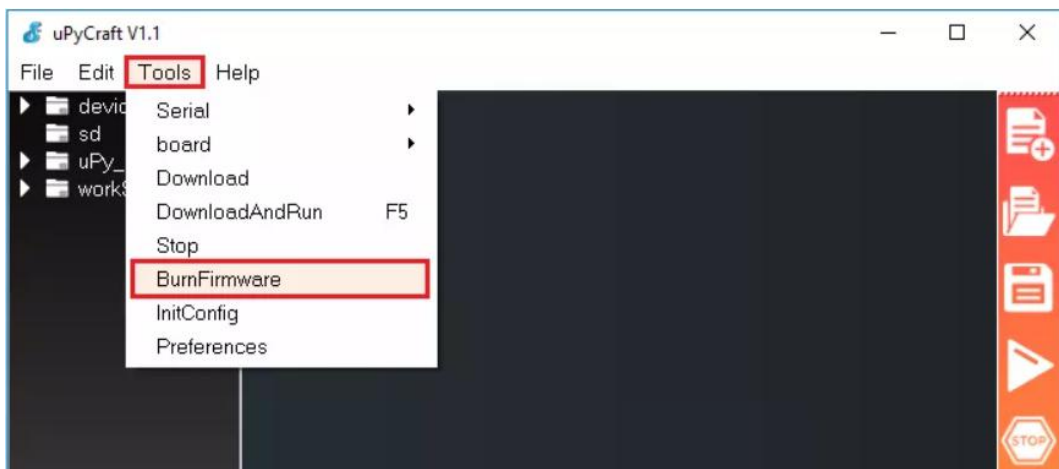
Selecting the Board

Go to Tools > Board. For this tutorial, we assume that you're using the ESP8266, so make sure you select the "esp8266" option:



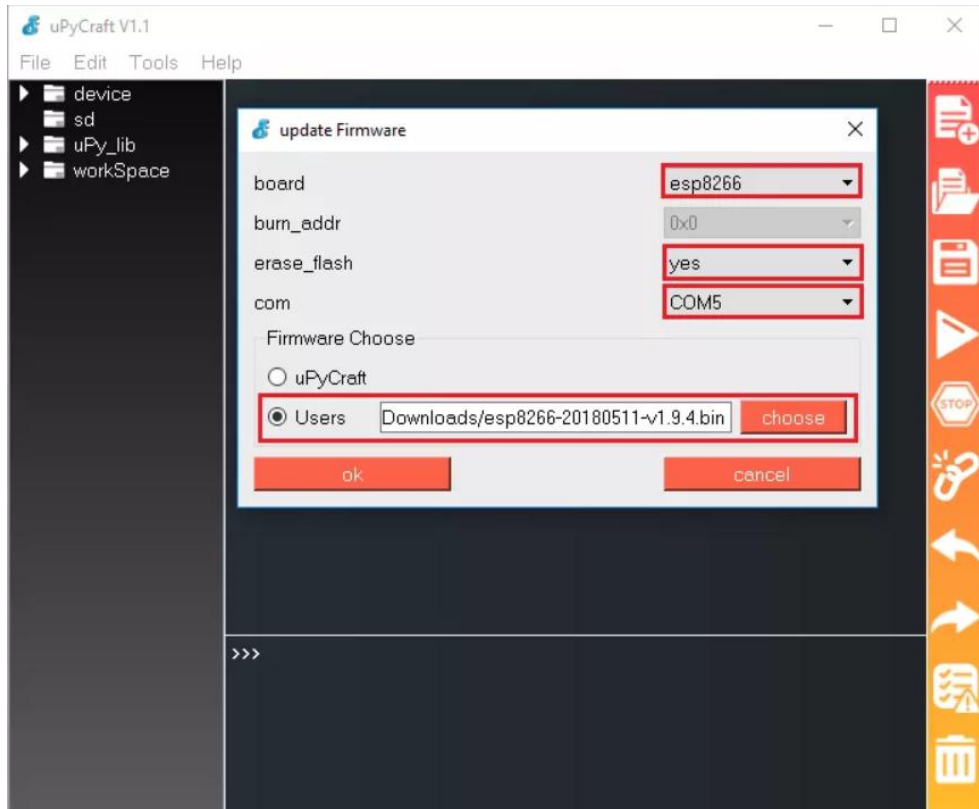
Flashing/Uploading MicroPython Firmware

Finally, go to Tools > BurnFirmware menu to flash your ESP8266 with MicroPython.

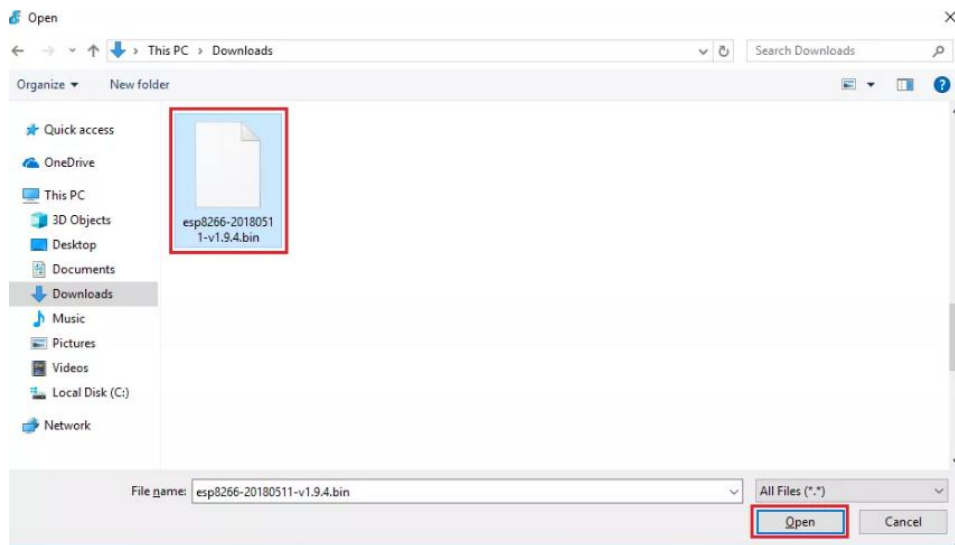


Select all these options to flash the ESP8266 board:

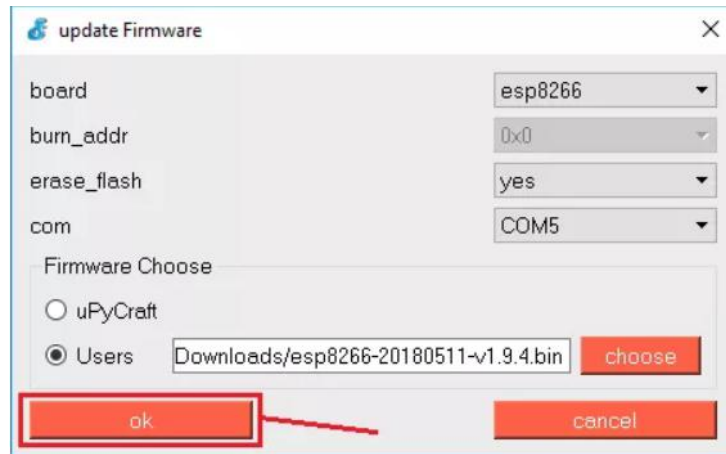
- board: esp8266
- burn_addr: 0x0
- erase_flash: yes
- com: COMX (in our case it's COM5)
- Firmware: Select "Users" and choose the ESP8266 .bin file downloaded earlier



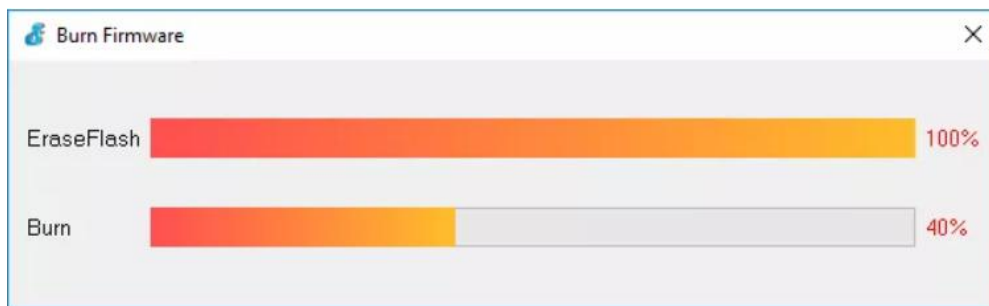
After pressing the “Choose” button, navigate to your Downloads folder and select the ESP8266 .bin file:



Having all the settings selected, hold-down the “FLASH” button in your ESP8266 board. While holding down the “FLASH”, click the “ok” button in the burn firmware window:



When the “EraseFlash” process begins, you can release the “FLASH” button. After a few seconds, the firmware will be flashed into your ESP8266 board.



***Note:** if the “EraseFlash” bar doesn’t move and you see an error message saying “erase false.”, it means that your ESP8266 wasn’t in flashing mode. You need to repeat all the steps described earlier and hold the “FLASH” button again to ensure that your ESP8266 goes into flashing mode.

fab service for brilliant ideas

Description:

This MakePython ESP8266 Kits includes the basic components and guidance for MicroPython starters. With the 12 experiments in this guide, you will be able to make simple electronic projects with MicroPython on ESP8266, and the basic knowledge& usage of IOT projects.

About Makerfabs

Makerfabs is open hardware facilitator based on Shenzhen, China, We make open hardware projects and help our customers project prototyping& small batch production, includes PCBA/ Molding/ OEM. Contact service@makerfabs.com for more info.