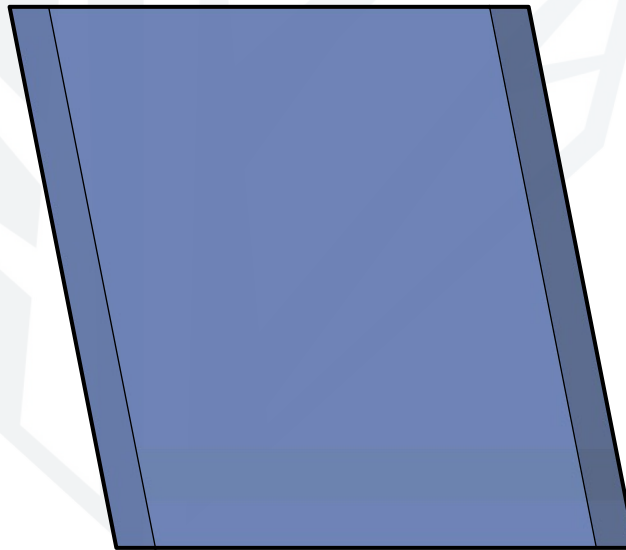
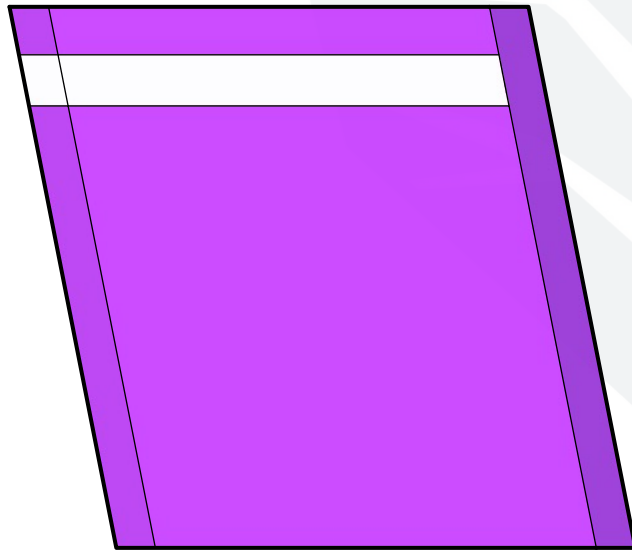
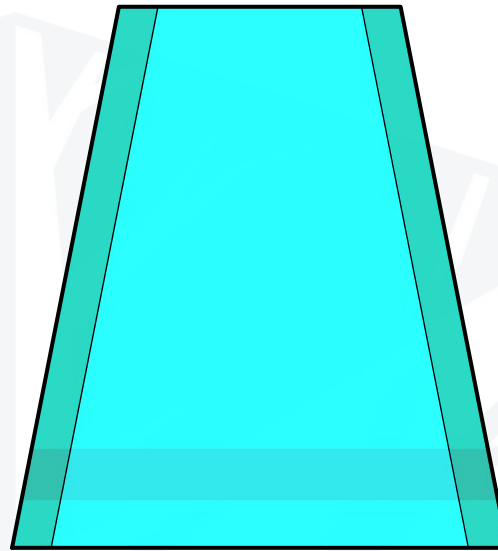
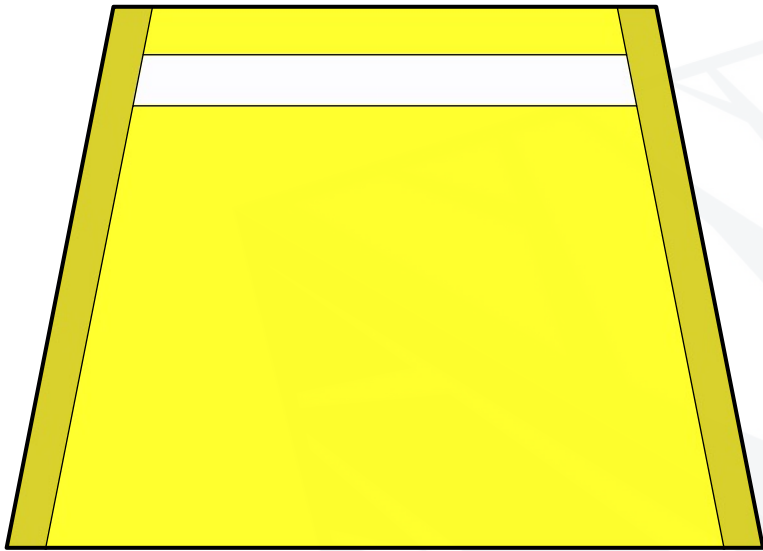
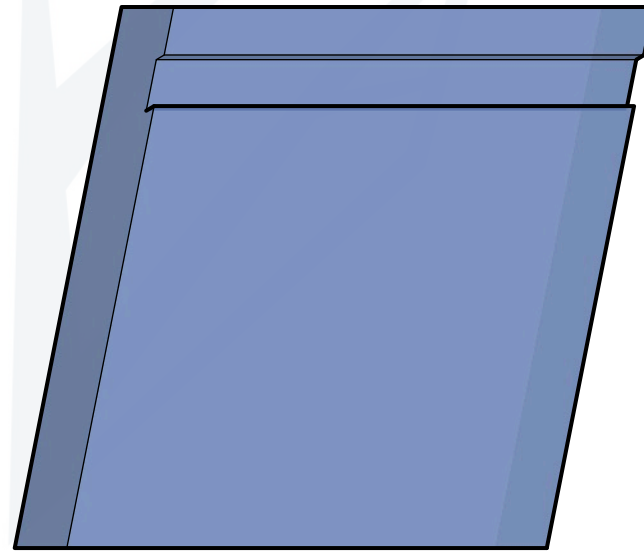
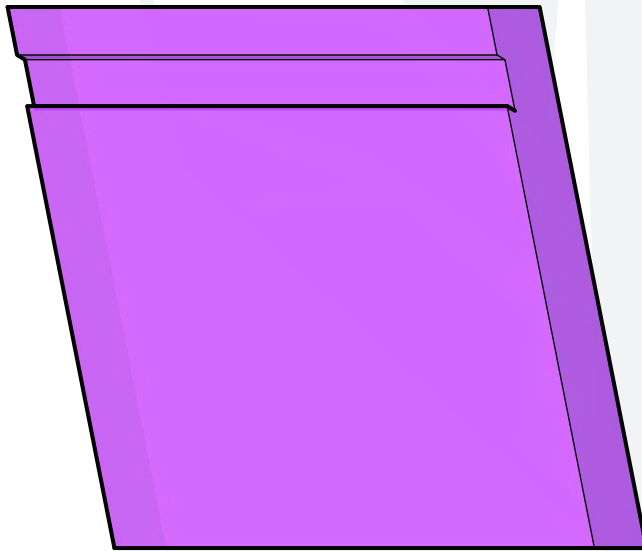
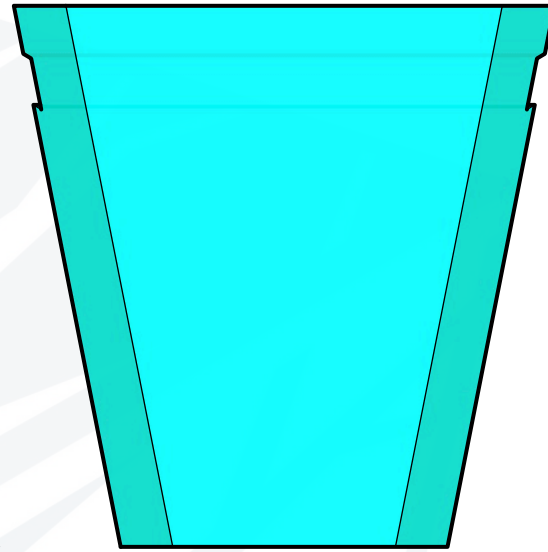
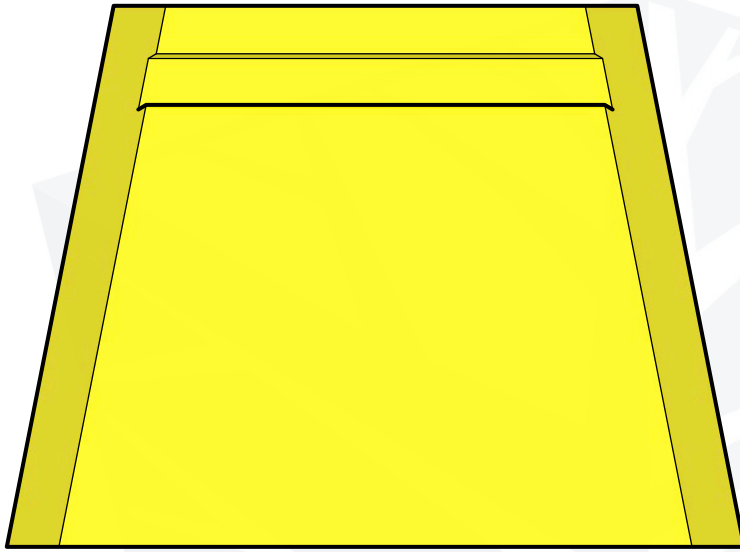


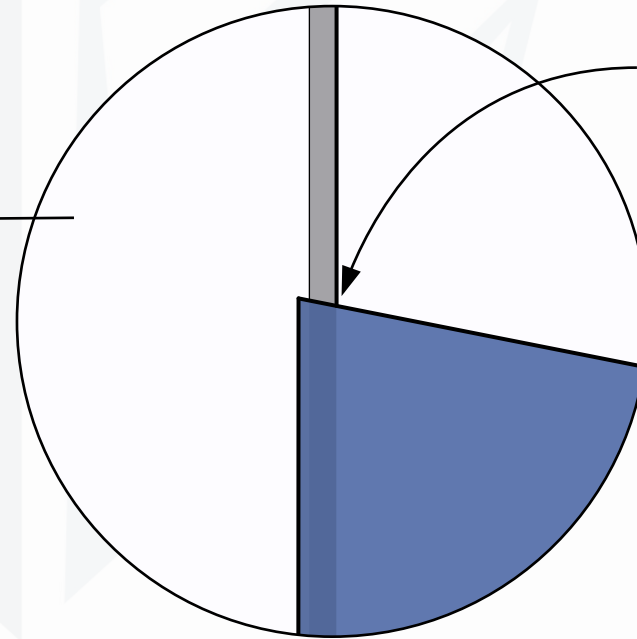
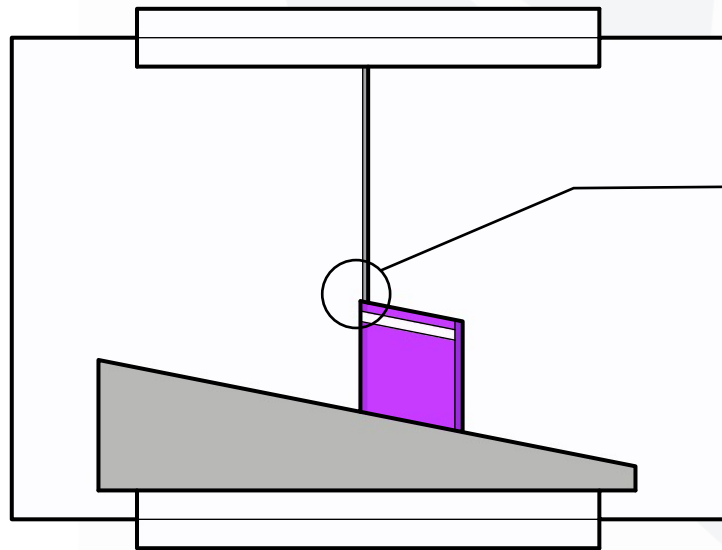
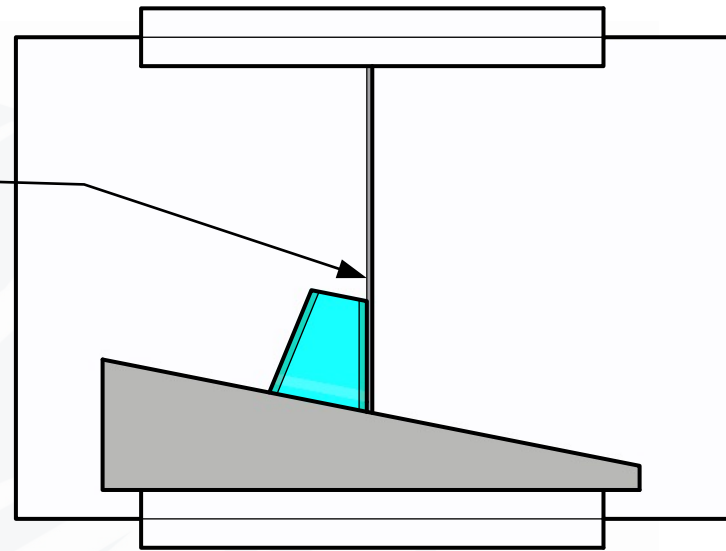
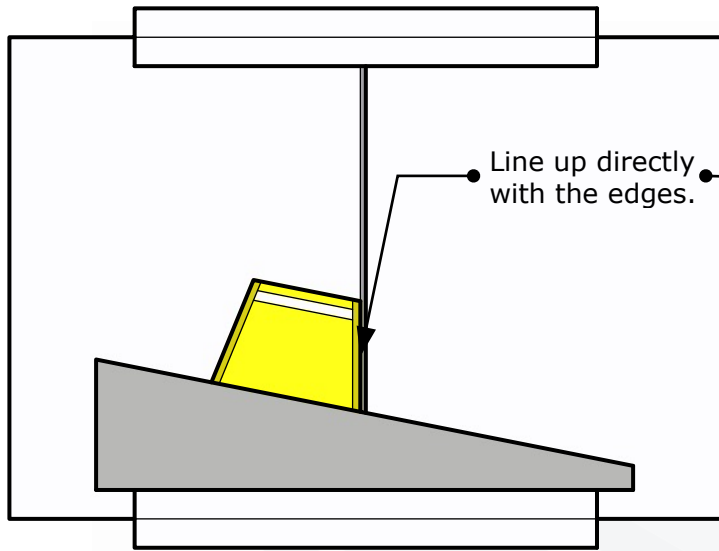
Examples



Full scale guides - 3/8"



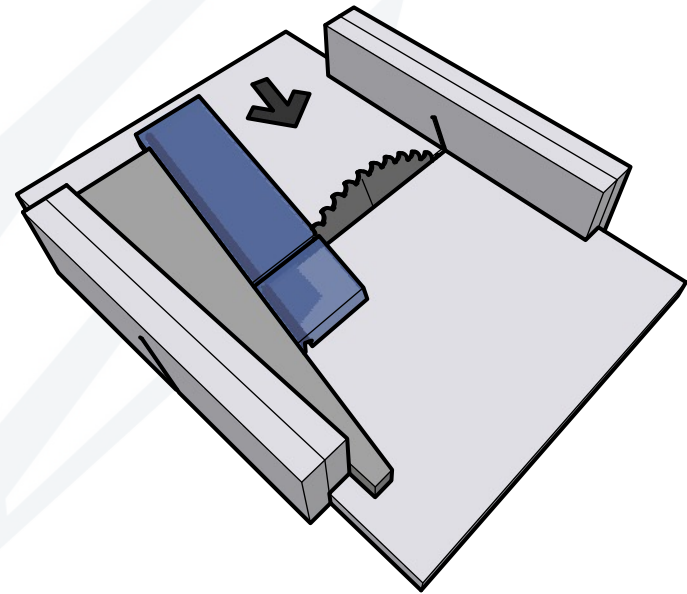
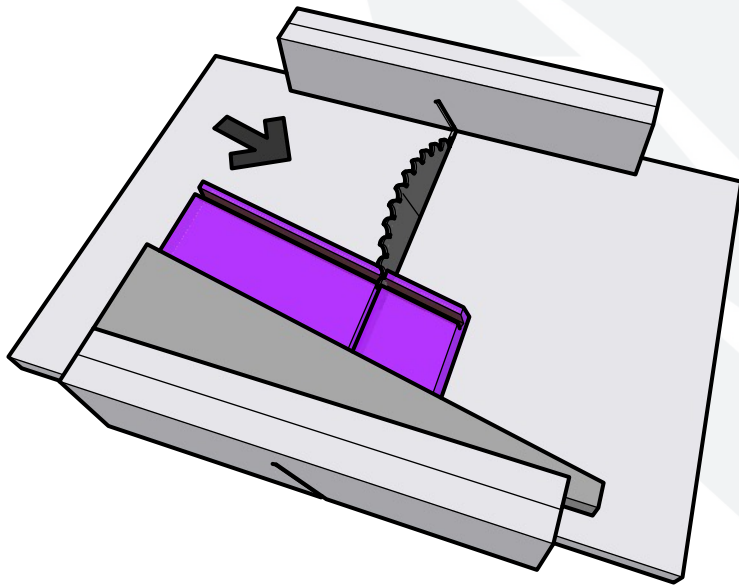
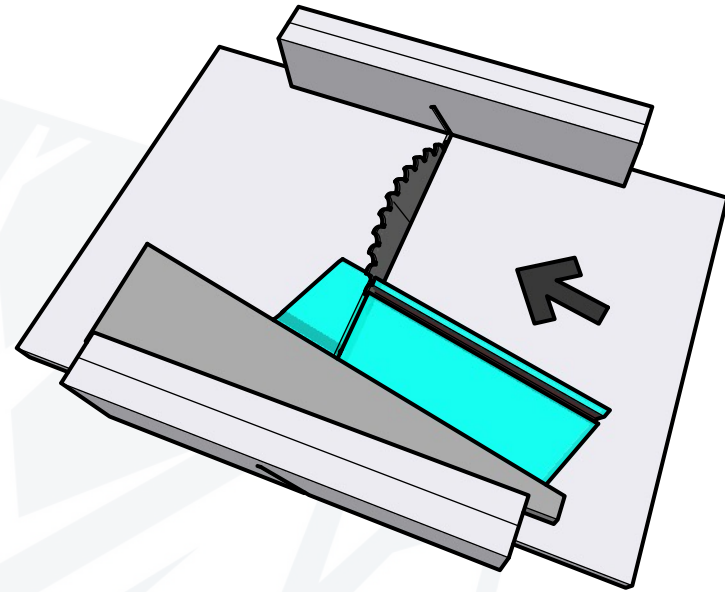
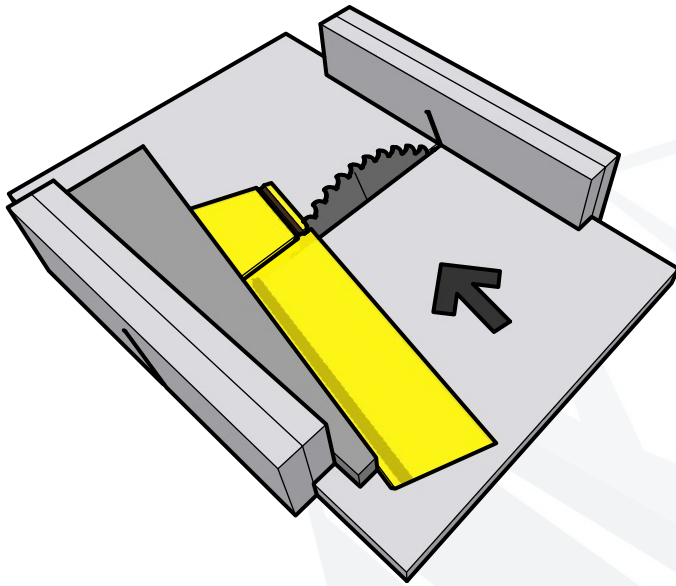
Full scale guides - 1/2"



You can use the blue or purple print out, but note that the inner edge on the guide is where you will line up with the sled cut line, because of the way these pieces overlap from the top view.

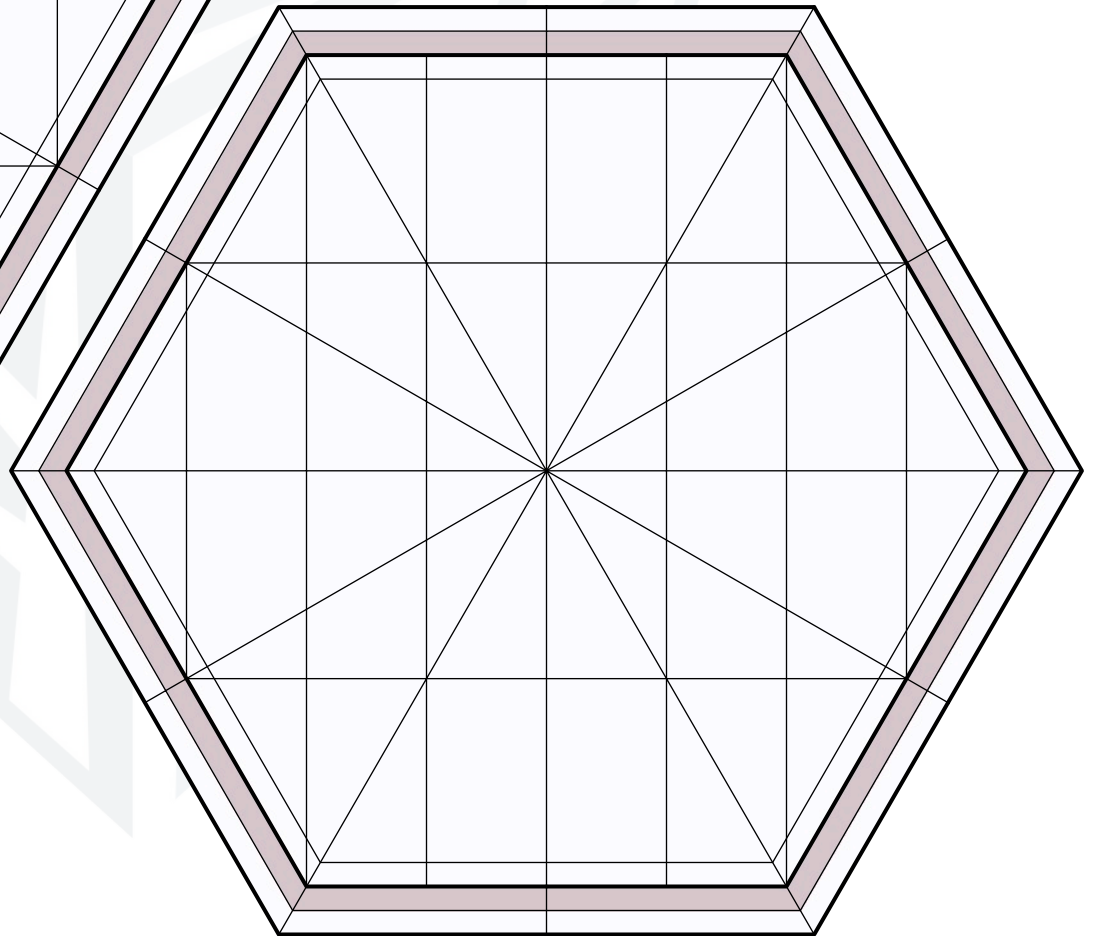
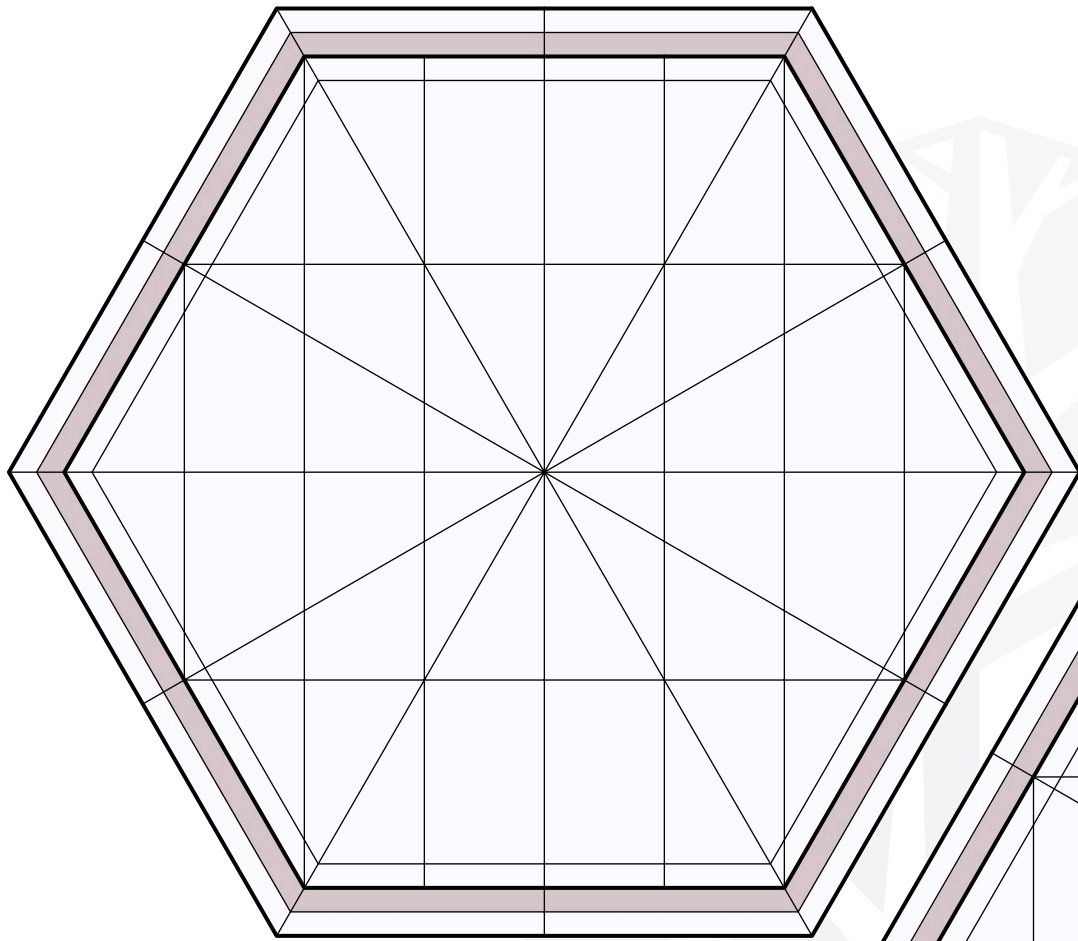


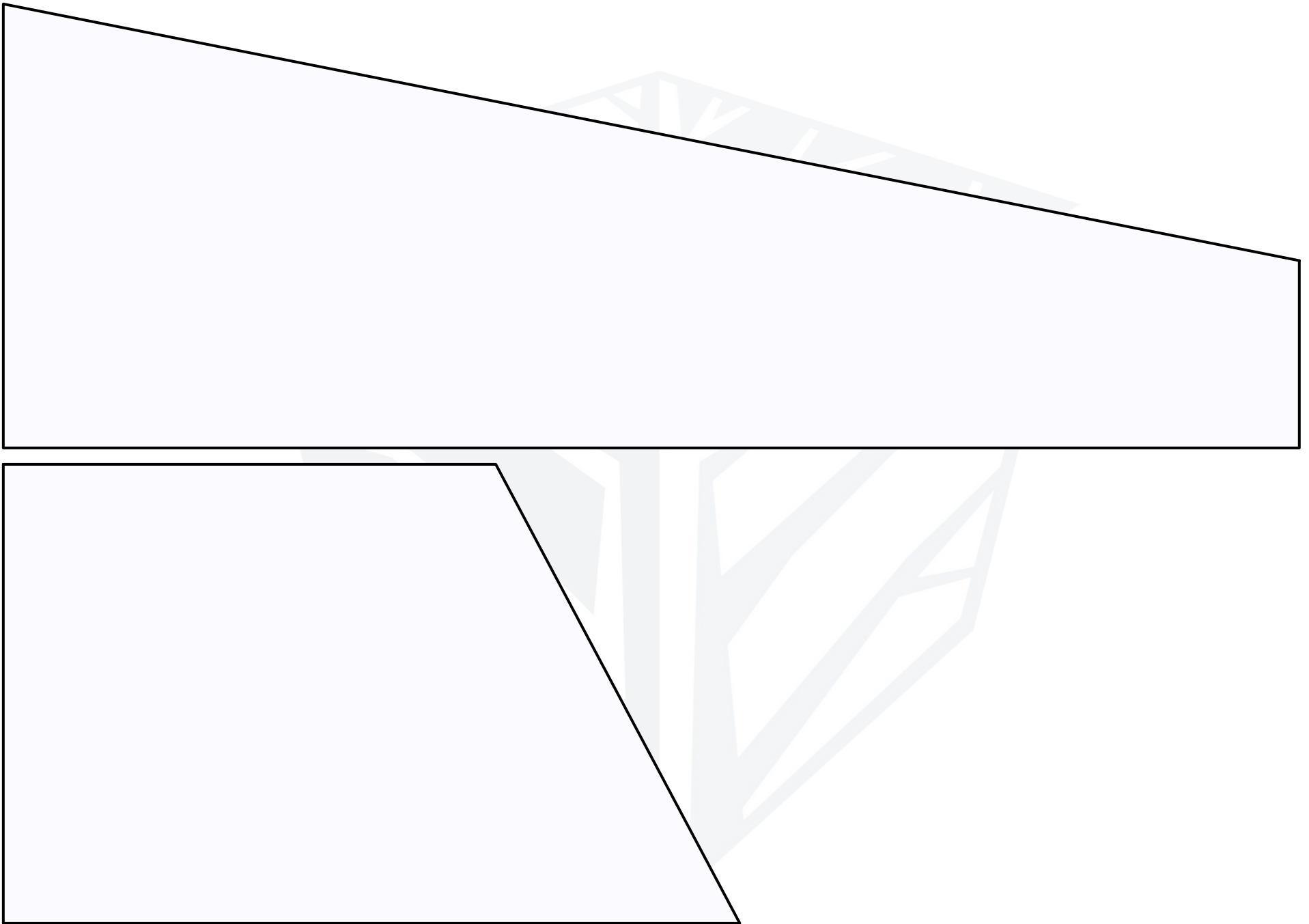
## Guide placement



## Cutting sequence







11.2 and 28 degree references

