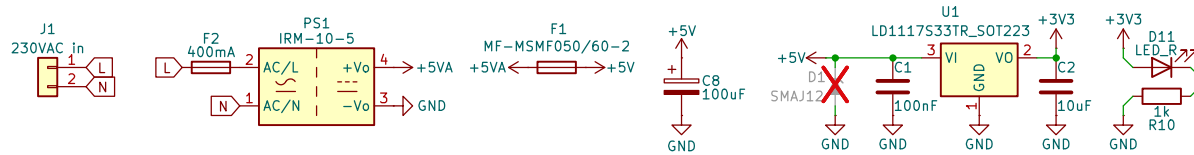
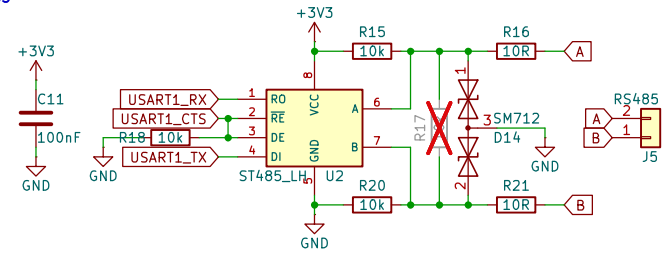


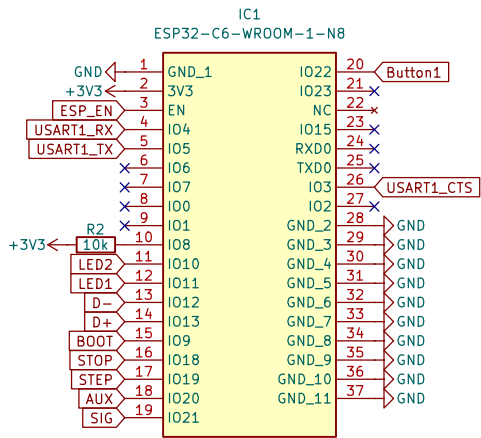
Power supply



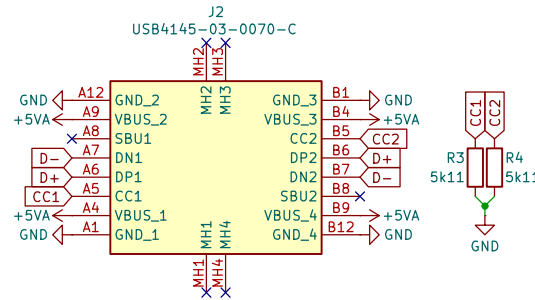
RS485



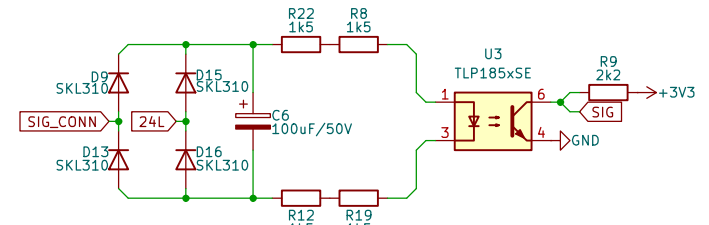
CPU



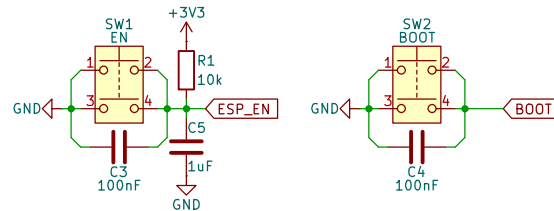
USB-C 2.0



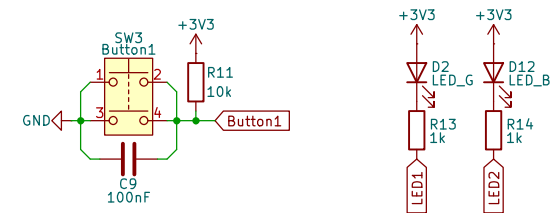
Gate signal IN



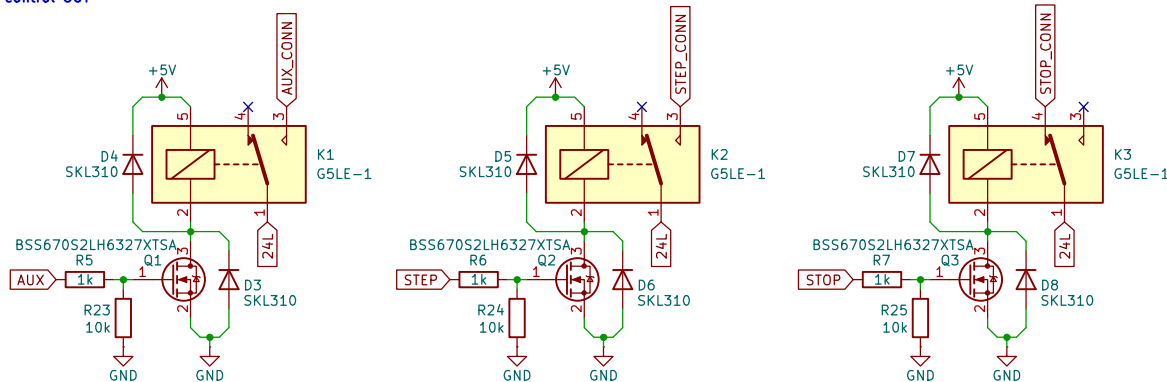
CPU reset & boot mode



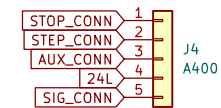
Physical UI



Gate control OUT



Gate A400 control unit connector



WiFi/RS485 unit for Nice mindy A400 gate control unit

ViktorNimshaus

Sheet: /

File: GateSmartifier.kicad_sch

Title: GateSmartifier

Size: A4 Date: 2024-09-19

KiCad E.D.A. 8.0.4

Rev: V1

Id: 1/1