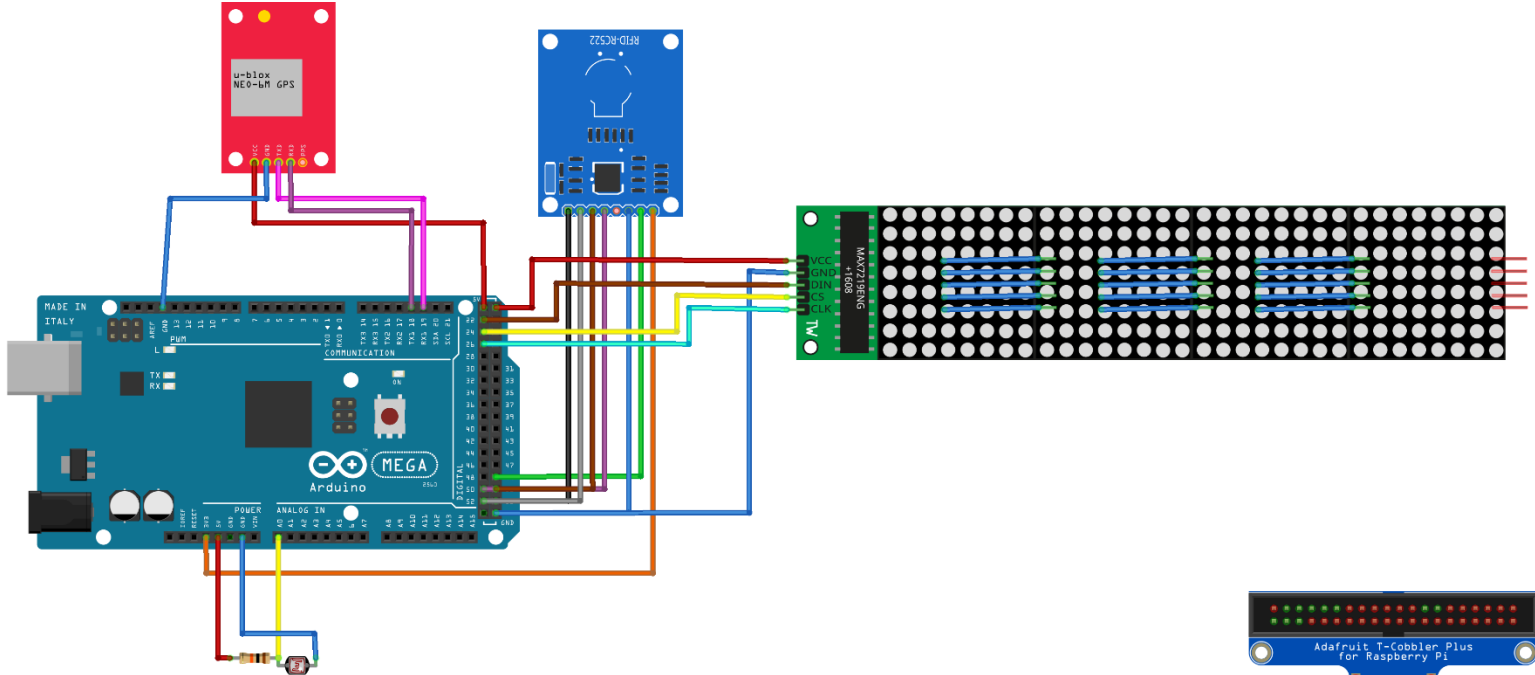


Breadboard

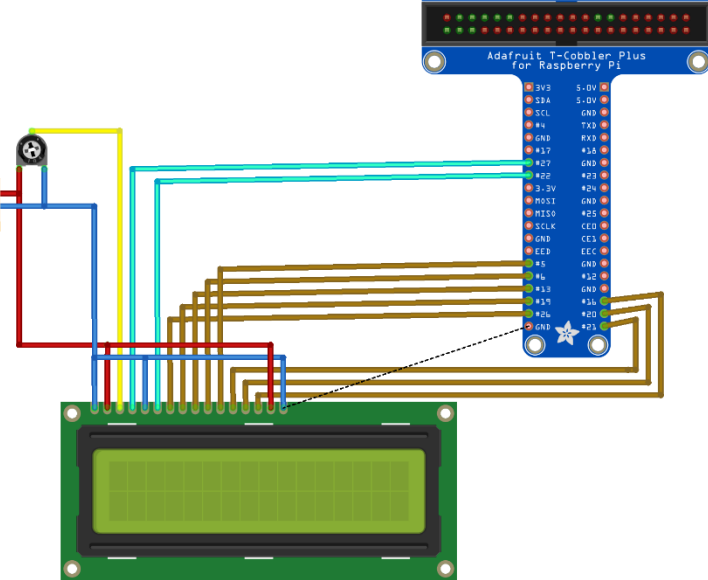
Dragino Lora Shield

Uses the following pins:
 D2, D9, D10, D11, D12, D13
 ICSP CLK-MOSI-MISO

Unused pins:
 D0, D1, D3, D4, D5, SCL, SDA, AREF
 Analog pins



5V voeding



Schema

- * The Dragino LoRa shield is a shield. I've looked up the used/unused pins on their Wiki.
- * Every dot matrix has it's own MAX7219 driver. They are soldered together as one long 4-in-1 dot matrix.
- * The GPS module is a newer version (NEO-7M, but it has the same lay-out as the NEO-6M)

Dragino Lora Shield

Uses the following pins:
D2, D9, D10, D11, D12, D13
ICSP CLK-MOSI-MISO

Unused pins:
D0, D1, D3, D4, D5, SCL, SDA, AREF
Analog pins

