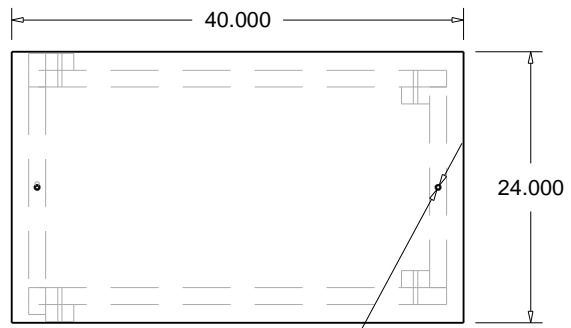
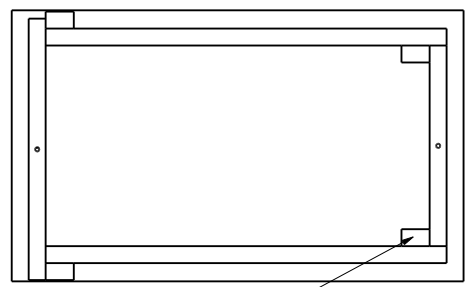
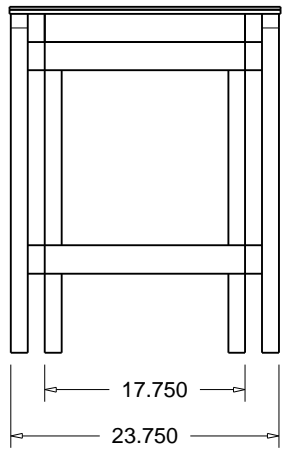
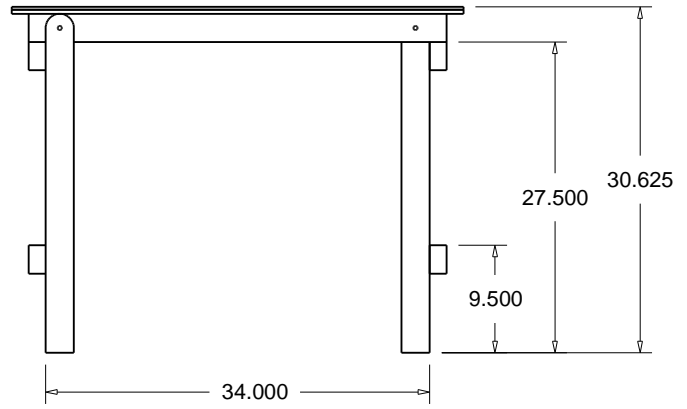
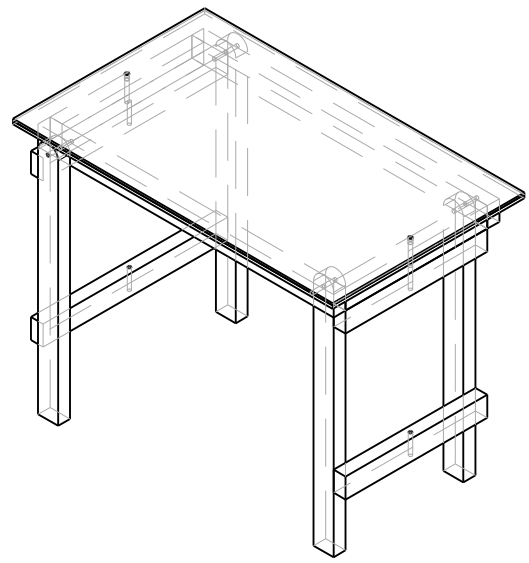


Rev.	Description	Date	Author



2x Ø.375 THRU. DRILLED AT ASSEMBLY TO ENSURE ALIGNMENT



OPTIONAL: REDUCE LEG LENGTH BY 2.5" AND MOUNT BED CASTERS

- REQUIRED HARDWARE (NOT SHOWN):
- (2) 3/8" X 6"L CARRIAGE BOLT
  - (4) 3/8" X 3.5" CARRIAGE BOLT
  - (4) 3/8" NUTS
  - (2) 3/8" BUTTERFLY NUTS
  - (6) 3/8" SPLIT WASHERS



Part Name: Folding Desk

Supplier:	Tolerances:	Part #:
Material: WOOD	0.X 0.050	
	0.XX 0.010	
	0.XXX 0.004	