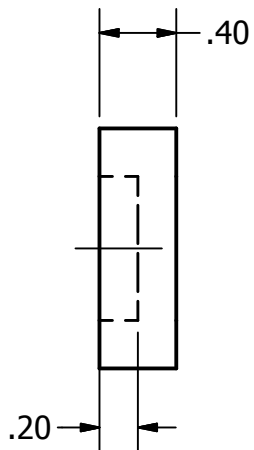
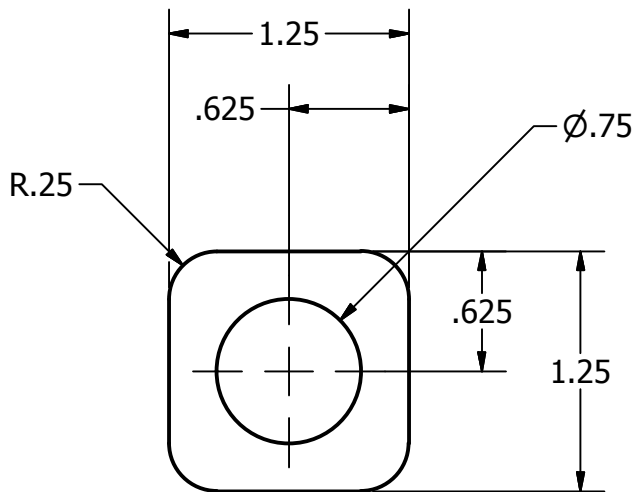
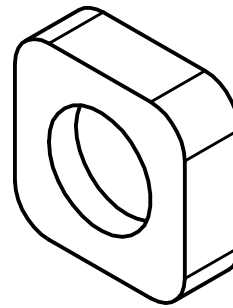


2

1



DRAWN	9/4/2014	TITLE <b>Feet</b>		
CHECKED				
QA				
MFG				
APPROVED				
		SIZE	DWG NO	REV
		<b>A</b>	<b>Feet_Drawing</b>	
		SCALE		SHEET 1 OF 1

2

1

PRODUCED BY AN AUTODESK EDUCATIONAL PRODUCT

PRODUCED BY AN AUTODESK EDUCATIONAL PRODUCT

B

B

A

A