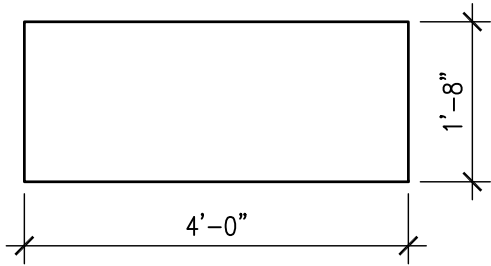
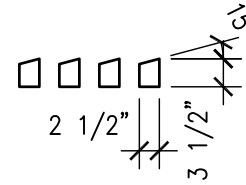


MATERIAL CUT LIST

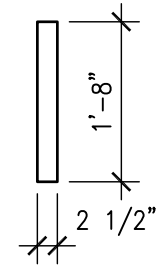
SCALE: 1/2" = 1'-0"



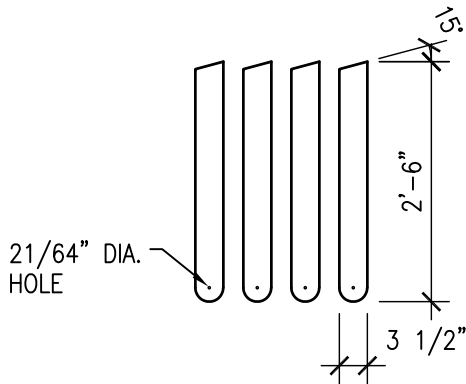
1 TOP
3/4" PLYWOOD
3/4" x 20" x 48" LONG



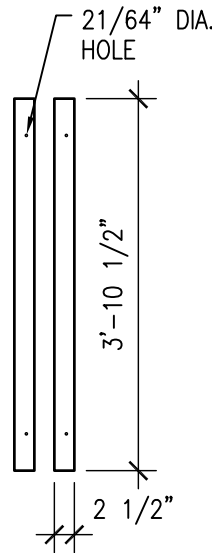
4 STOP BLOCKS
2x4
1 1/2" x 2 1/2" x 3 1/2" LONG



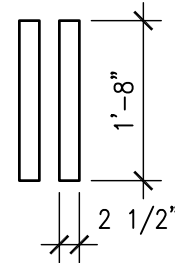
1 LEG BRACE
1x3
1 1/2" x 2 1/2" x 20" LONG



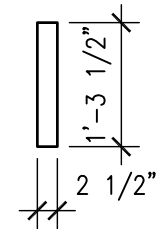
4 LEGS
2x4
1 1/2" x 3 1/2" x 30" LONG



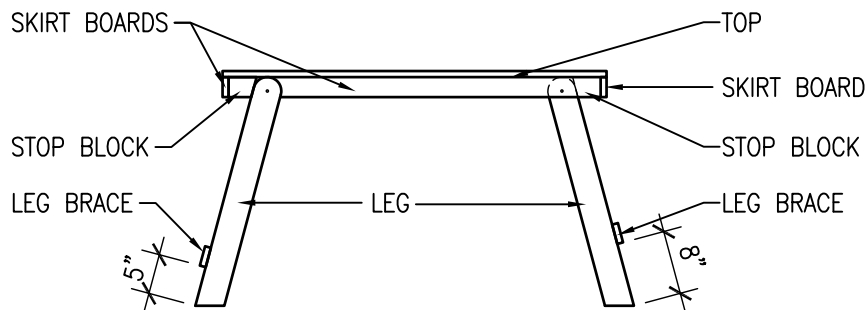
2 SKIRT BOARDS
1x3
3/4" x 2 1/2" x 46 1/2" LONG



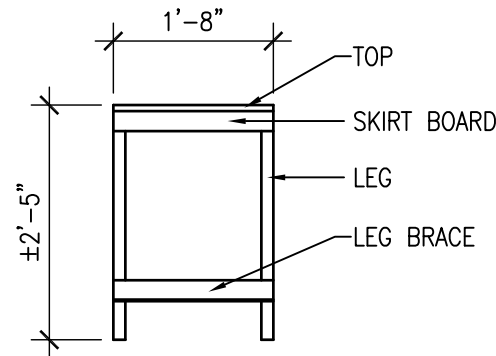
2 SKIRT BOARDS
1x3
3/4" x 2 1/2" x 20" LONG



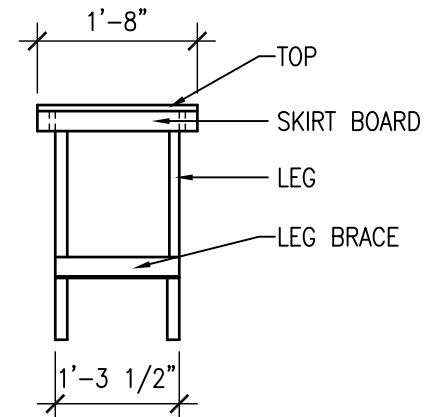
1 LEG BRACE
1x3
1 1/2" x 2 1/2" x 15 1/2" LONG



ELEVATION - SIDE



ELEVATION - LEFT



ELEVATION - RIGHT