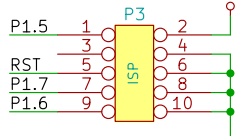
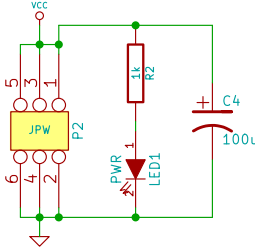


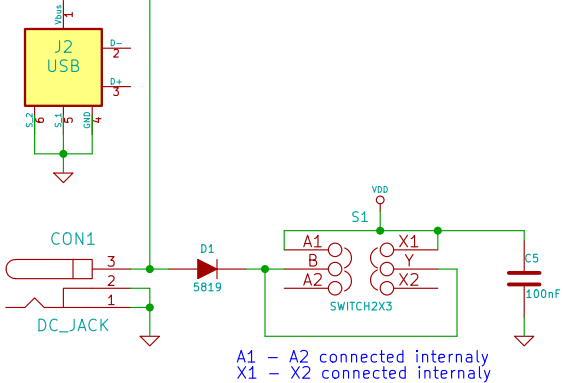
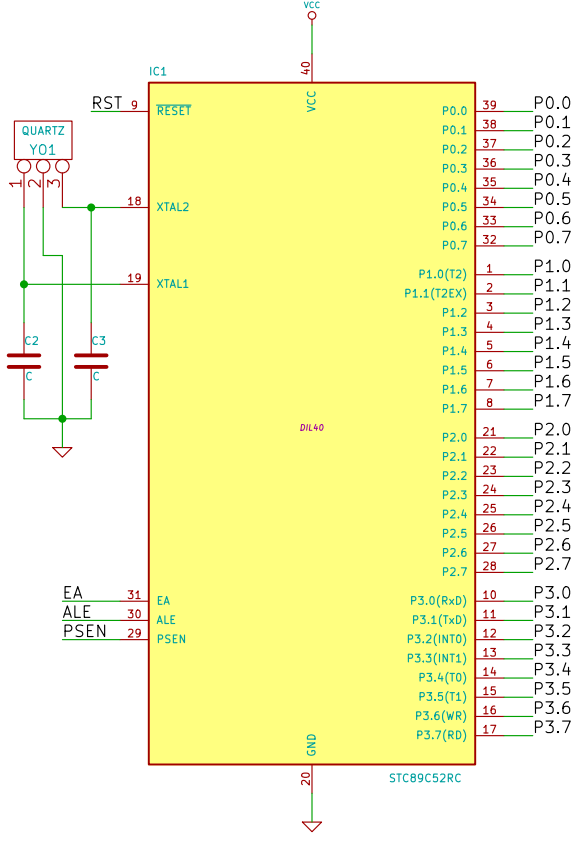
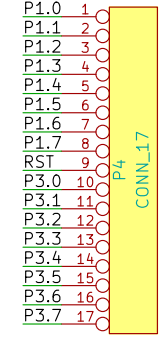
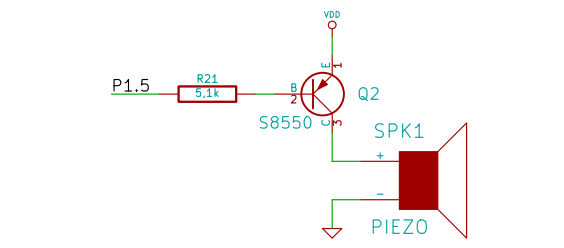
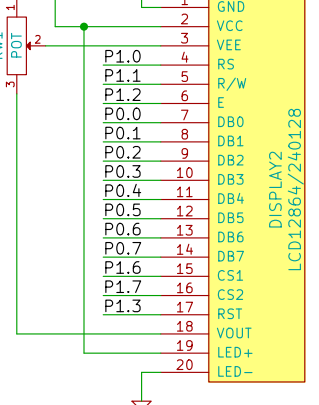
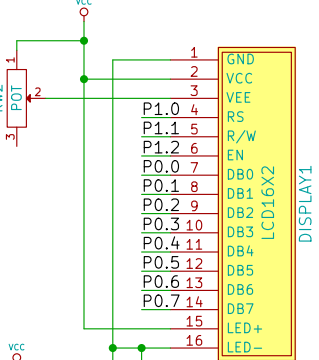
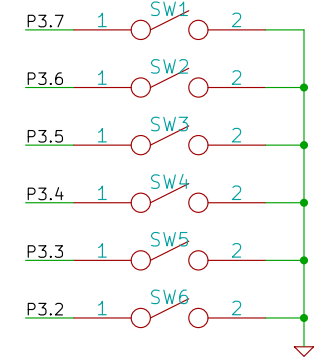
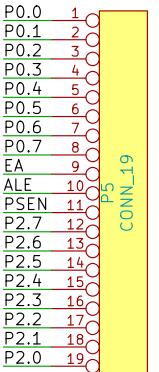
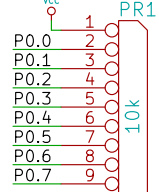
RELAY



STC89C52/ATmega162/ATmega8515



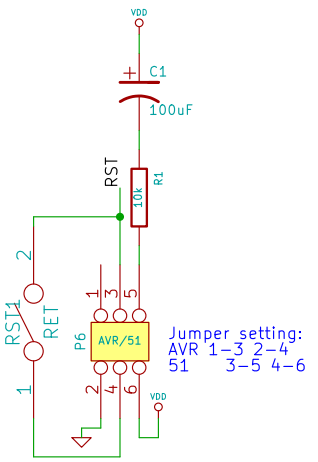
Pull-up resistors for P0



A1 - A2 connected internally
X1 - X2 connected internally

Correlation 8051 / AVR ports

P0.0-P0.7 = PA0-PA7
P1.0-P1.7 = PB0-PB7
P2.0-P2.7 = PC0-PC7
P3.0-P3.7 = PD0-PD7



Jumper setting:
AVR 1-3 2-4
51 3-5 4-6

