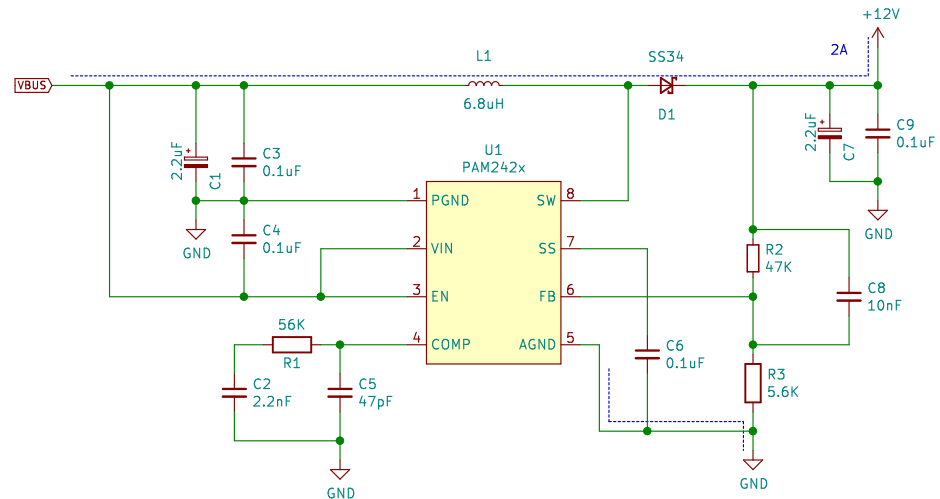
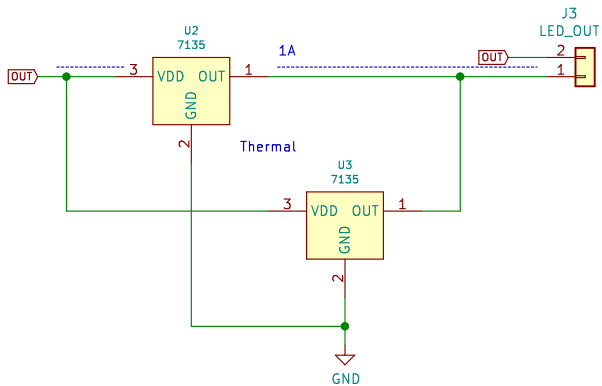


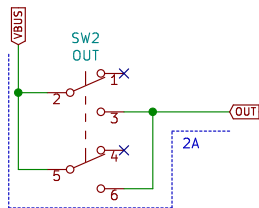
USB



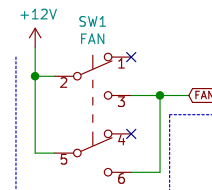
BOOST Converter



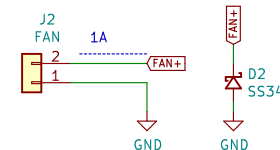
LED Driver



Switch 2



Switch 1



IdeaZero Designs

Sheet: /
File: Fan_Controller.sch

Title: Fan Controller

Size: A4 Date: 2023-01-30
KiCad E.D.A. kicad (5.1.7)-1

Rev: v1.0
Id: 1/1