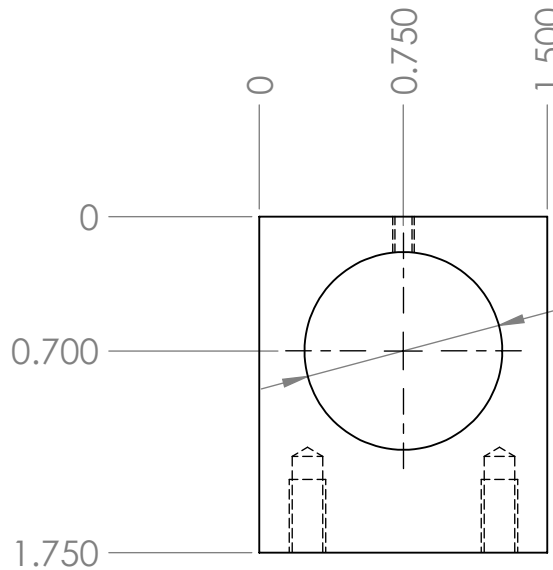
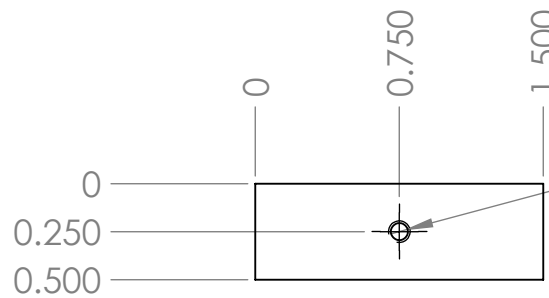
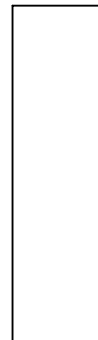


#10-32  $\nabla$  0.250 2PL

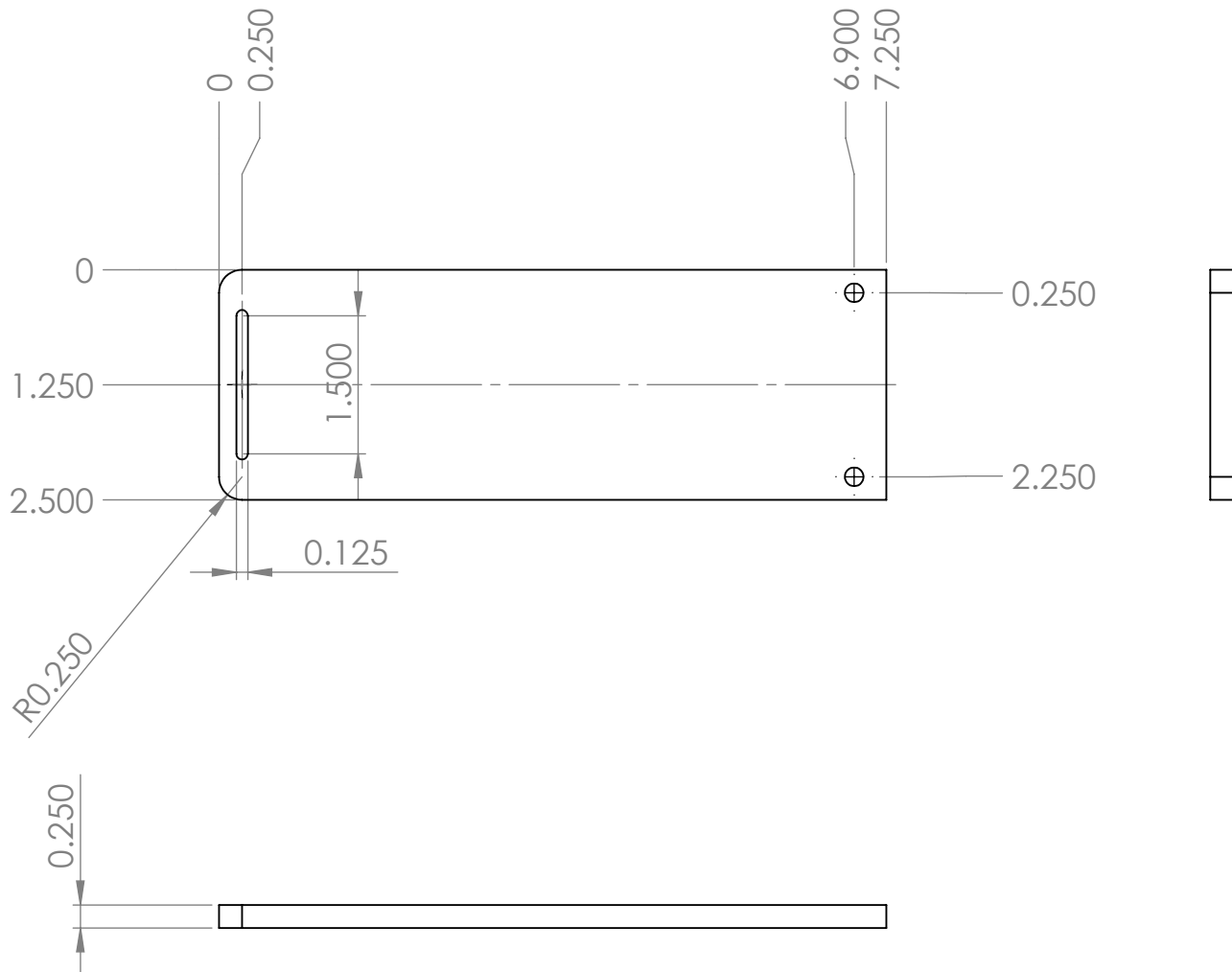


$\varnothing$  1.030 THRU

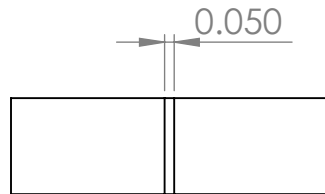
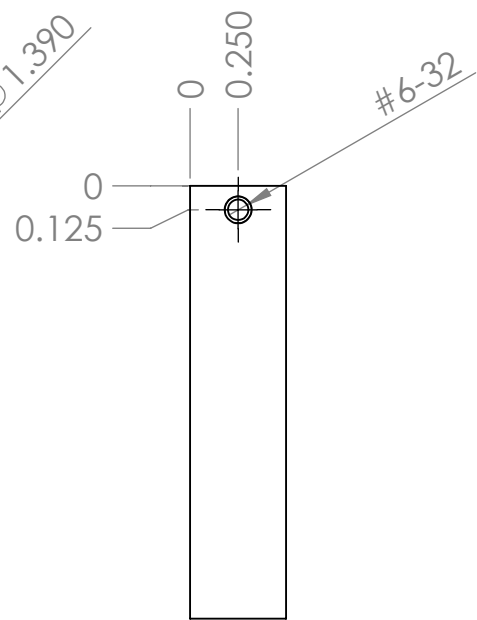
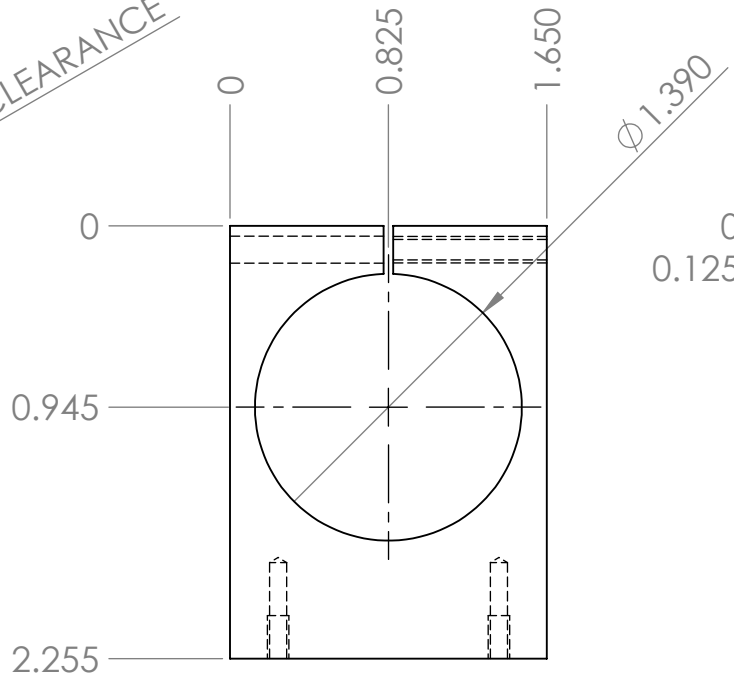
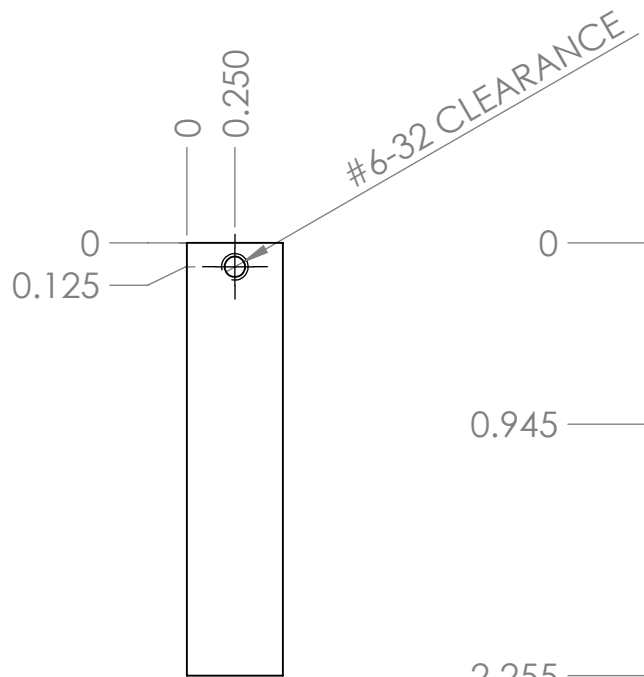
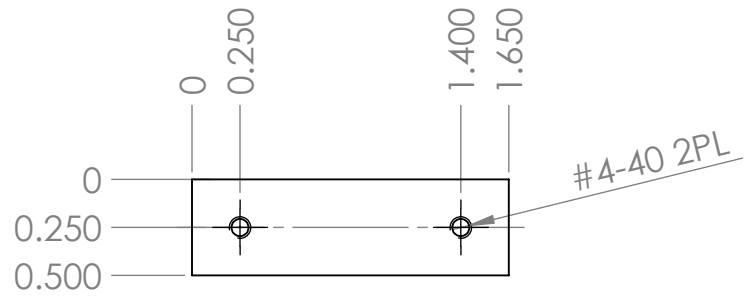


#4-40

Material: Aluminum	TITLE: LED Mount	
QTY: 1	DWG. NO. A004_LED-Mount	
SCALE: 1:1	REV: 4	SHEET 1 OF 1



Material: Aluminum	TITLE: Adapter Bracket	
QTY: 1	DWG. NO. A004_Adapter_Holder2	
SCALE: 1:5	REV: 1	SHEET 1 OF 1



Material: Aluminum	TITLE: Adapter mount	
QTY: 1	DWG. NO. A004_Adapter_Holder	
SCALE: 1:1	REV: 3	SHEET 1 OF 1

5

4

3

2

1