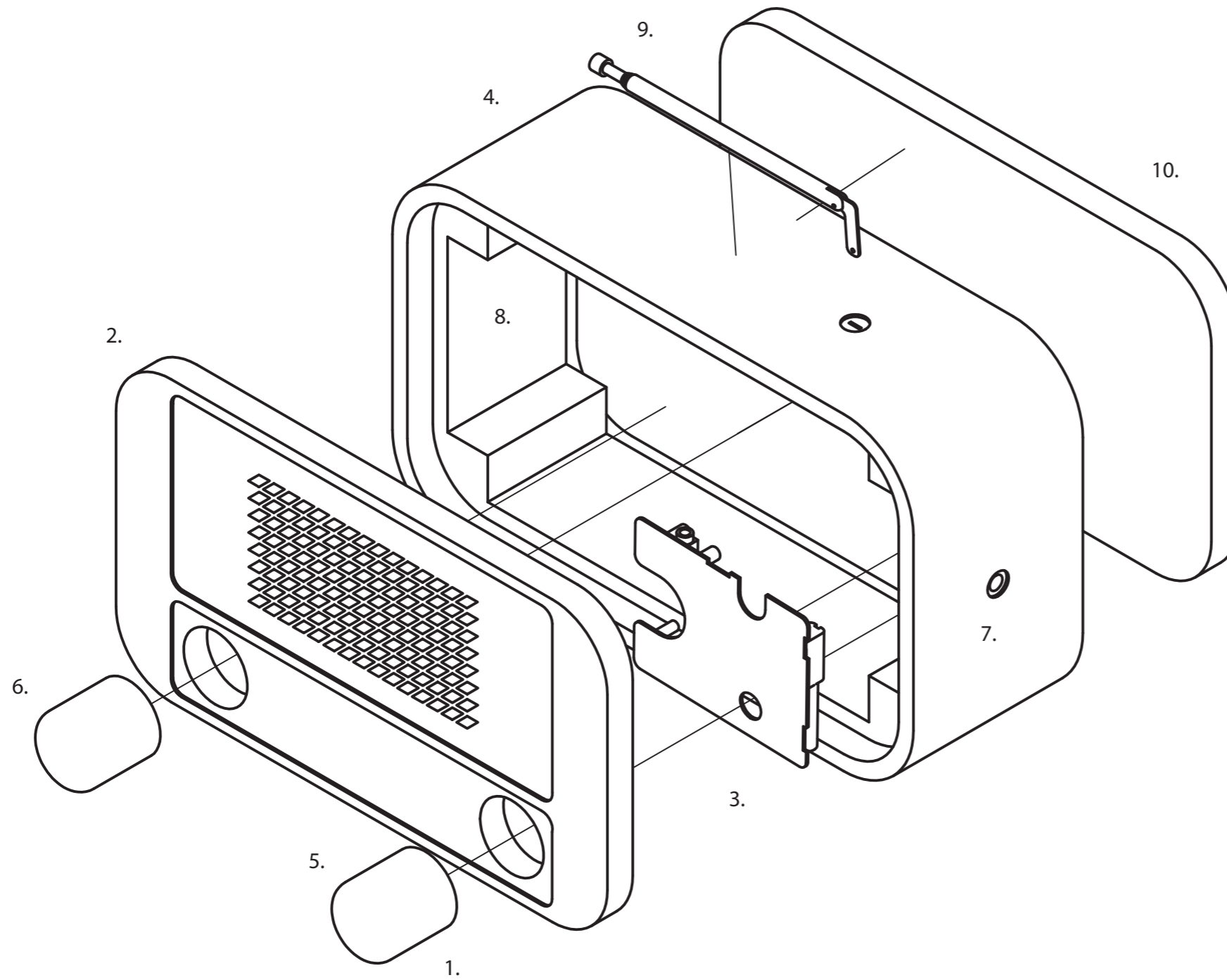


The Box Radio - exploded drawing



Parts list:

1. Knob
2. Front panel
3. Circuit Board
4. Radio Body
5. Tuner
6. On/Off volume dial
7. Headphone jack
8. Am/Fm switch
9. Aerial
10. Back panel

Manufacturing processes:

1. The knob is turned on the lathe.
2. The front panel is drilled then laser cut.
3. The circuit board has been extended.
4. The radio body is made from 4 sides which are routed then glued to 4 corners which have been drilled together.
5. The tuner is stuck into the tuning knob.
6. The On/off and volume control is stuck into the other knob.
7. The headphone jack is pushed into the slot.
8. The Am/Fm switch is stuck with glue into its slot.
9. The aerial is fitted then soldered to the circuit board.
10. the back panel is laser cut and milled.
11. Battery pack fits in the battery compartment at the back of the radio body.
12. The speaker is stuck to the back of the front panel.