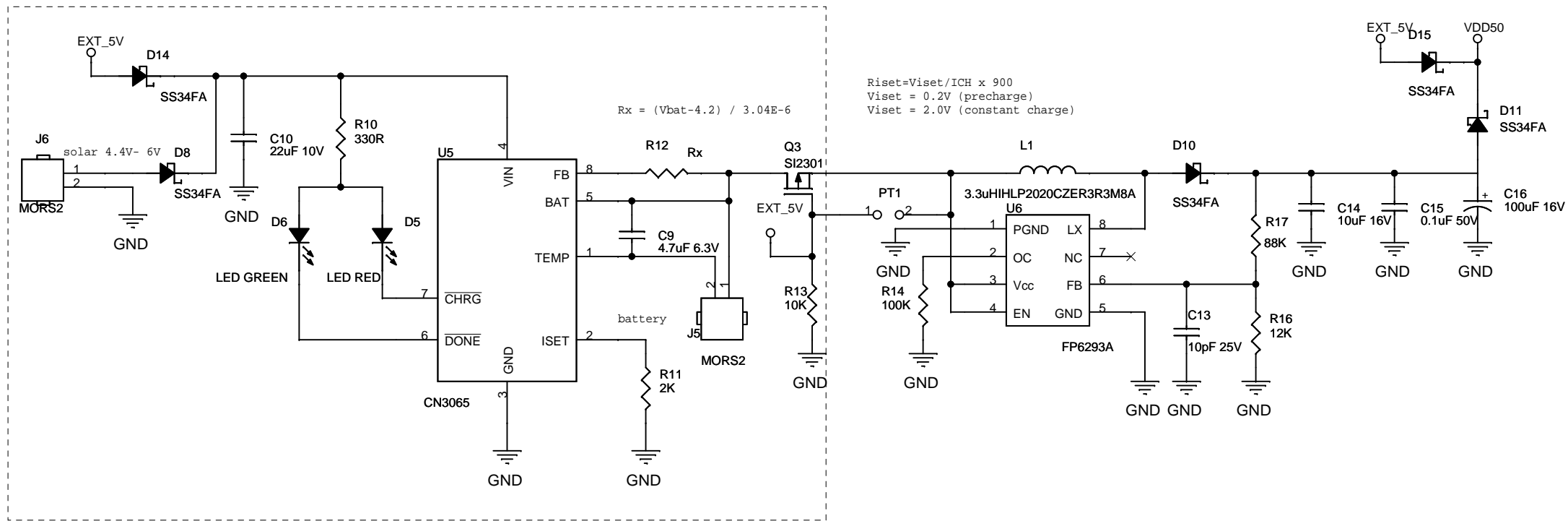
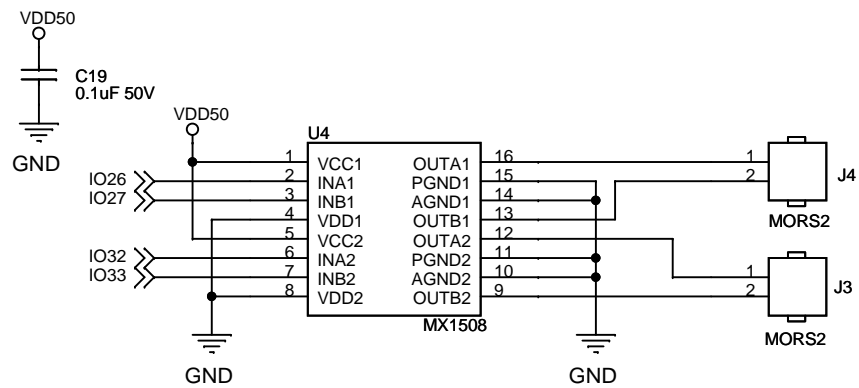


| | | |
|-------|---------------------------|--------------|
| Title | | |
| ESP32 | | |
| Size | Document Number | Rev |
| A4 | <Doc> | A |
| Date: | Monday, February 13, 2023 | Sheet 1 of 1 |



| | | |
|-------|---------------------------|--------------|
| Title | | |
| ESP32 | | |
| Size | Document Number | Rev |
| A4 | <Doc> | A |
| Date: | Monday, February 13, 2023 | Sheet 1 of 1 |