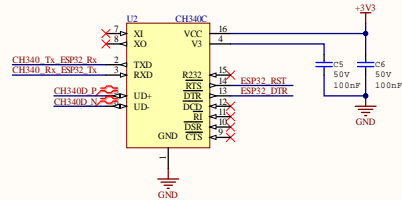
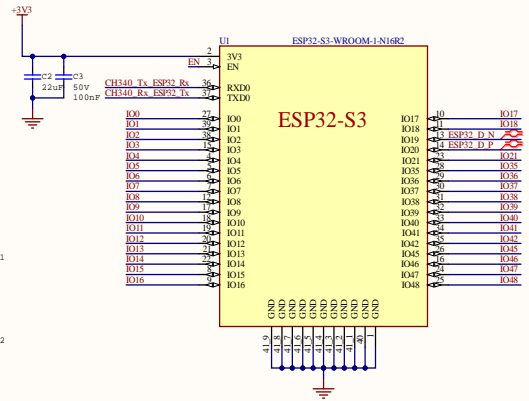


ESP32-S3 Development Board Module

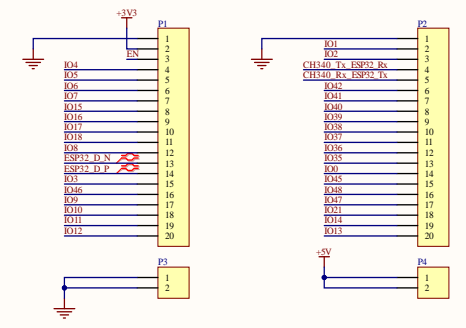
UART To USB



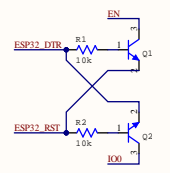
MCU



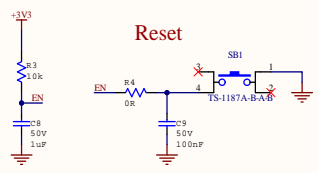
Output Connectors



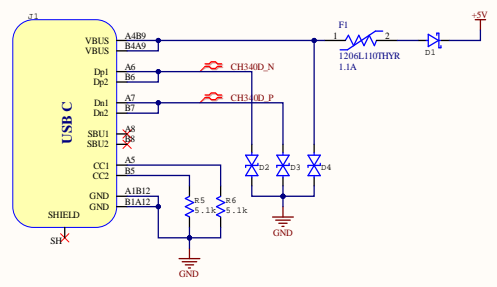
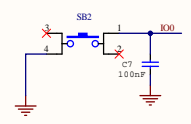
Auto-Program



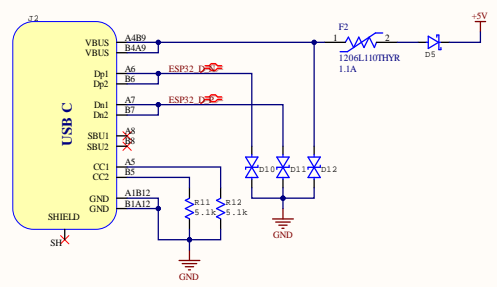
Reset



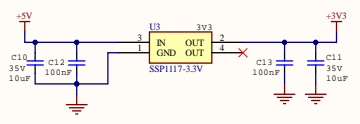
BOOT



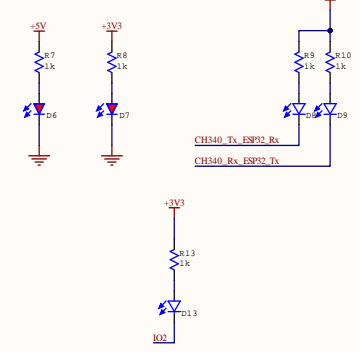
Internal USB



3V3 LDO



LEDs Indicators



Title	ESP32-S3 Development Board Module		
Size	Number	1	Revision
C			A
Date:	12/13/2023	Sheet of	1
File:	D:\Altium Designer Projects_ESP32-S3 Development Board Module\ESP32-S3.Dwg		