

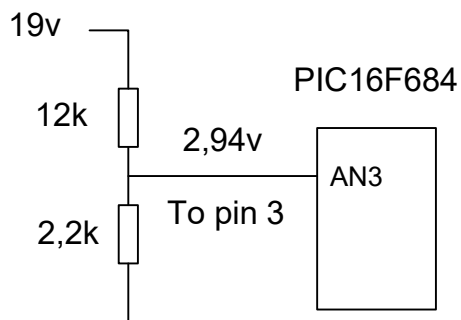
Dyson DC16 electronics mod to work with 18v battery

1. Microcontroller reading battery voltage through voltage divider at pin 3 analog input (AN3). Resistor 2,2k must be replaced with 2,7k.

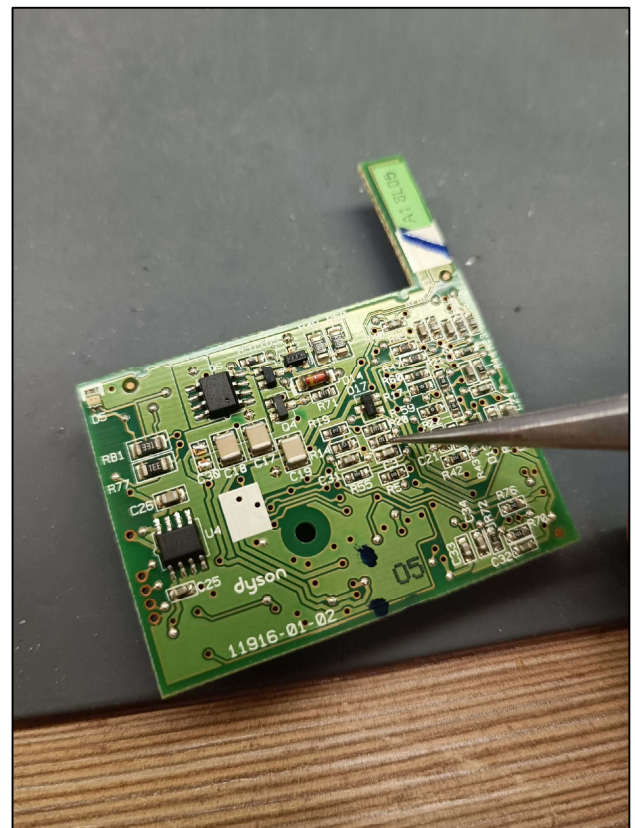
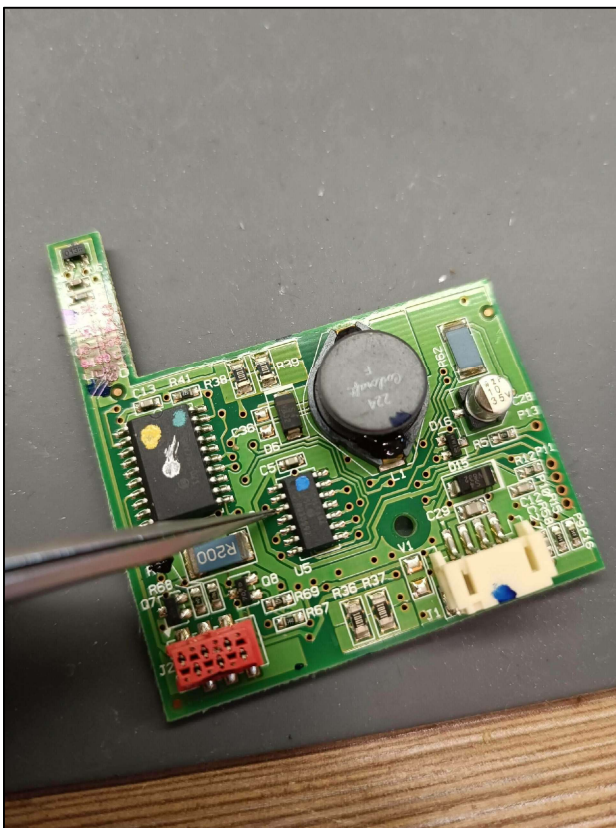
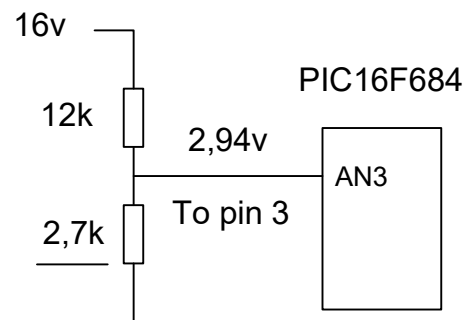
Dyson battery 6 cell
21,6v nominal
25,2v fully charged
19v stop starting motor
17v shutdown motor

Tool battery 5 cell
18v nominal
21v fully charged
16v stop starting motor
14v shutdown motor

From battery



From battery



2. Thermistor (10k) must be removed from the dyson battery and connect direct to white connector or just connect 10k resistor insted of original thermistor.