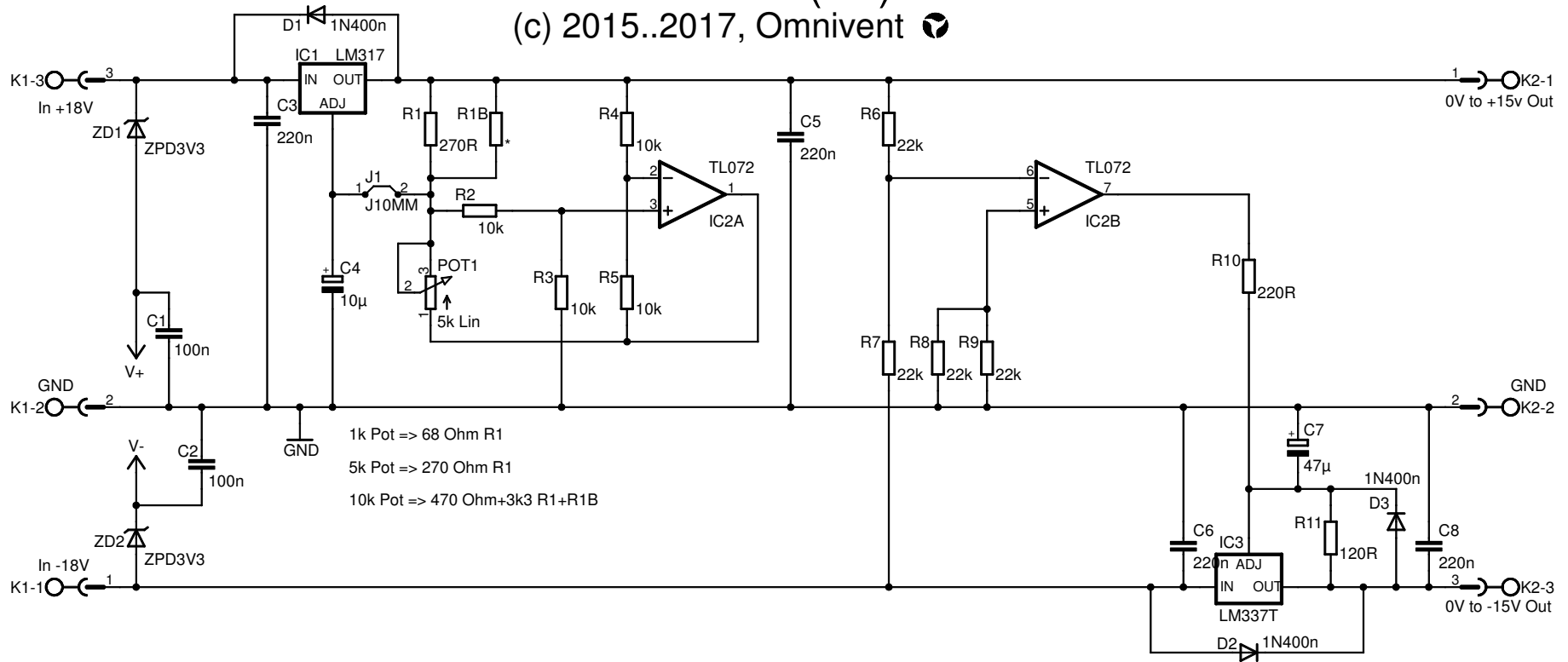



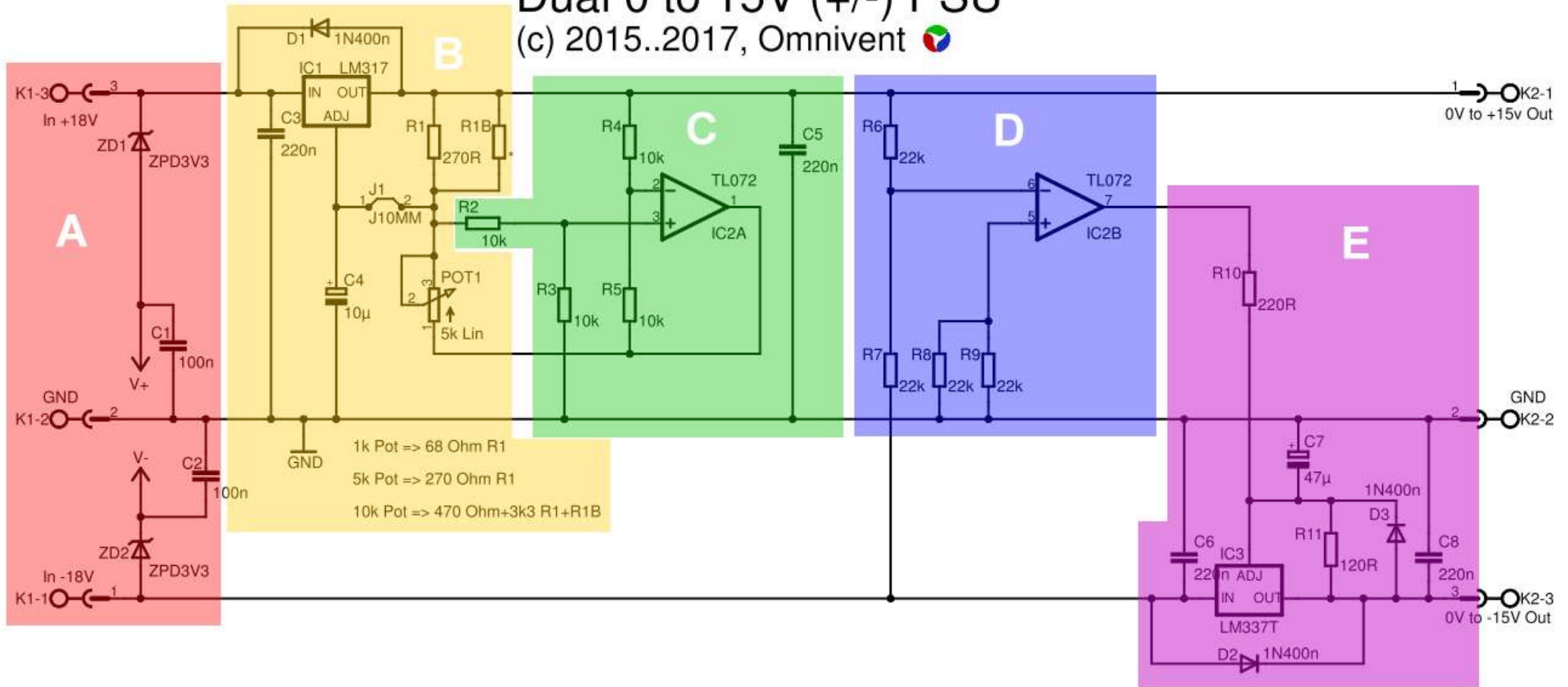
Dual 0 to 15V (+/-) PSU

(c) 2015..2017, Omnivent



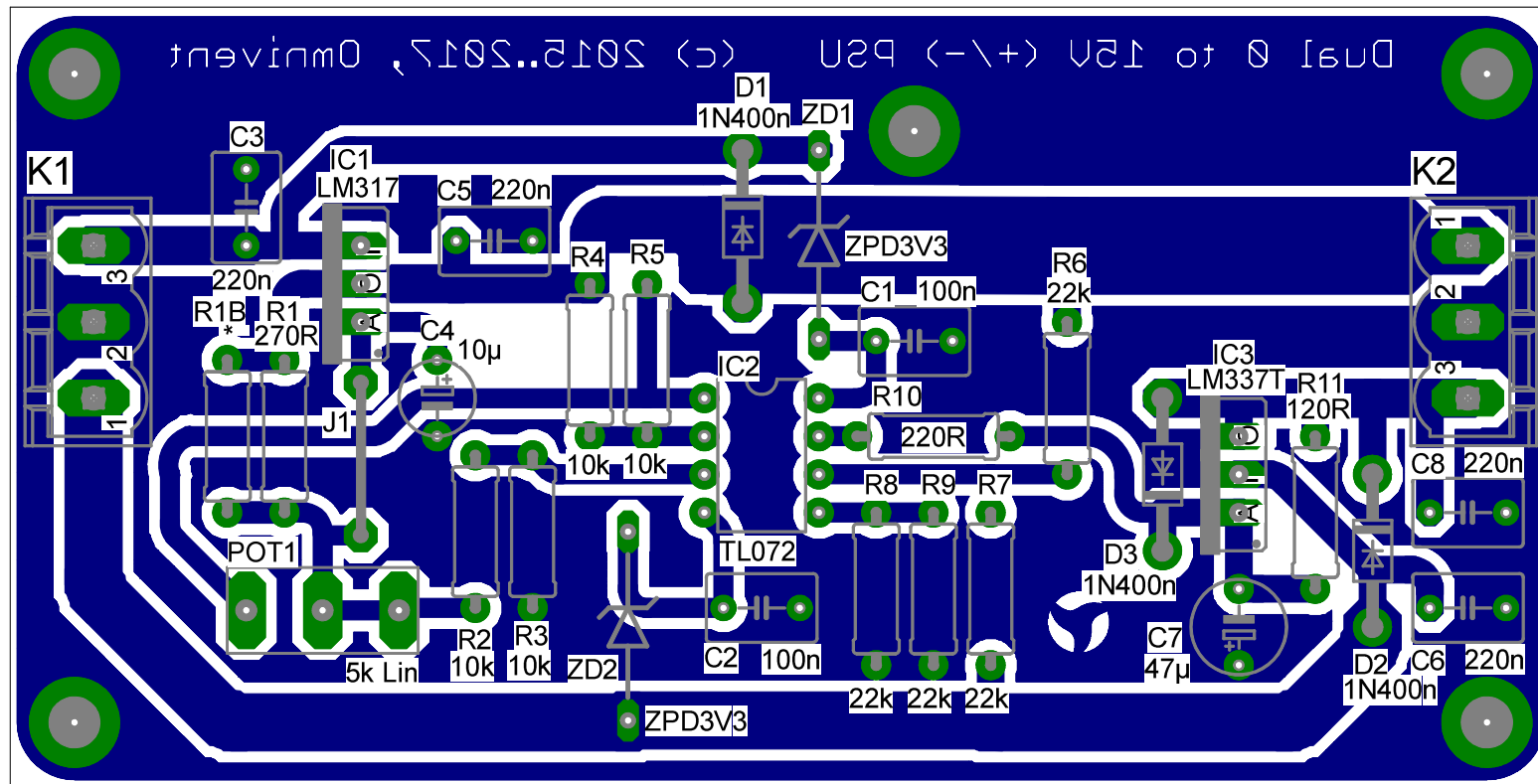
Dual 0 to 15V (+/-) PSU

(c) 2015..2017, Omnivent 

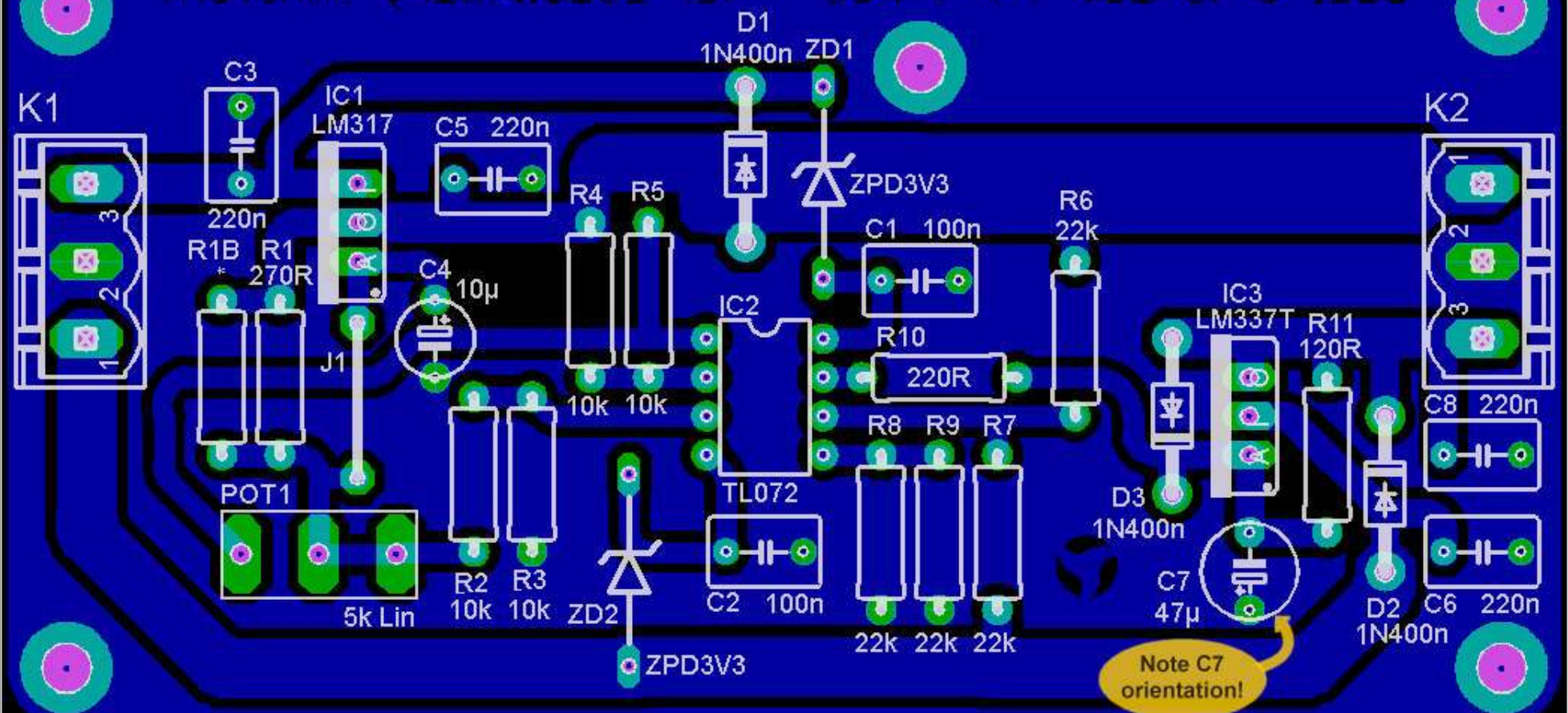


Dual 0 to 15V (+/-) PSU

(c) 2015..2017, Omnivent



BU21 07 9 1500 (+) 029 (-) 5015.2195 (S) 01951111



Note C7 orientation!

