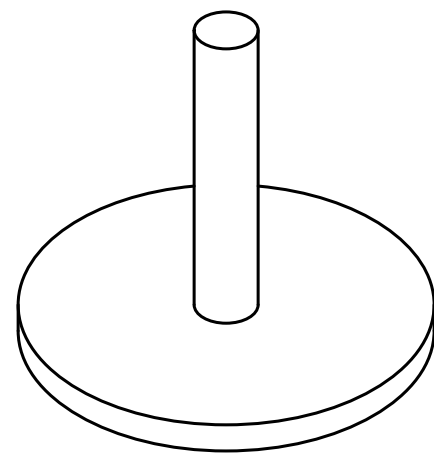
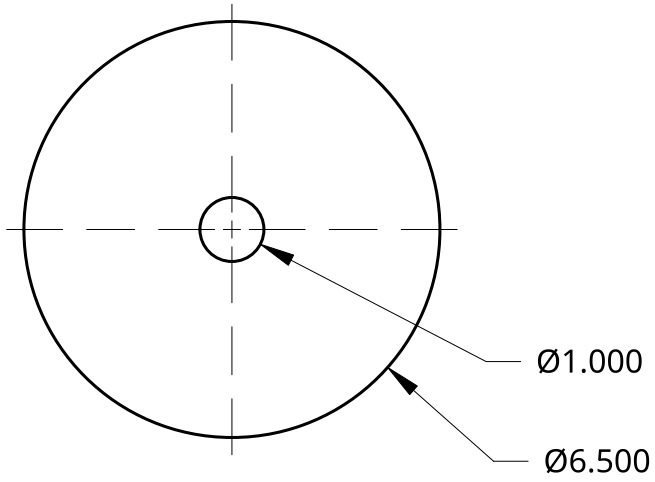


2

1

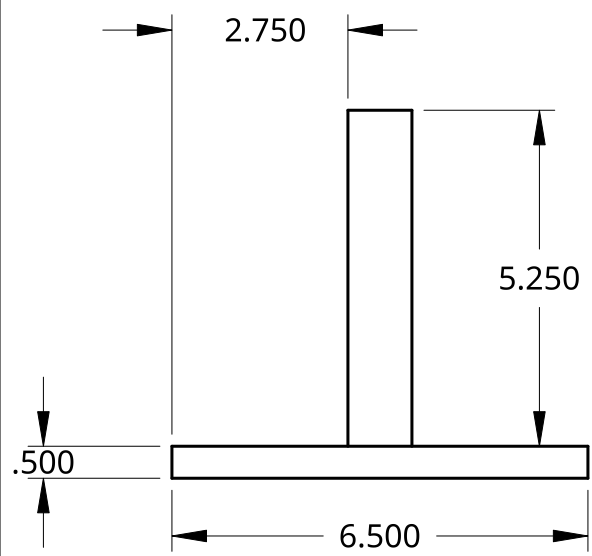
B

B



A

A



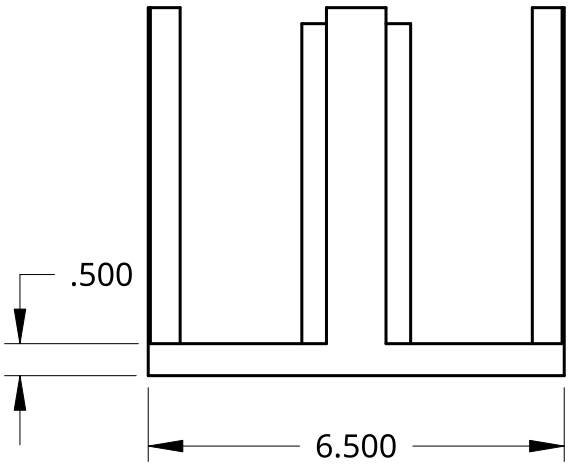
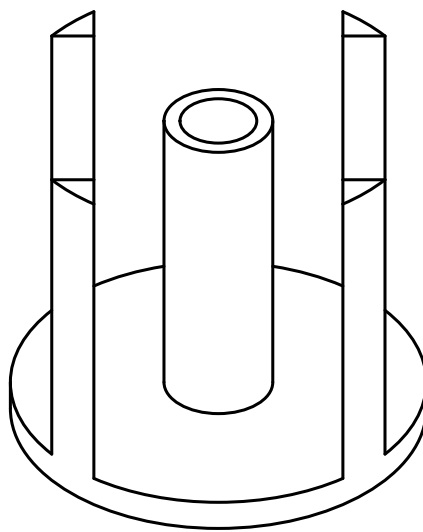
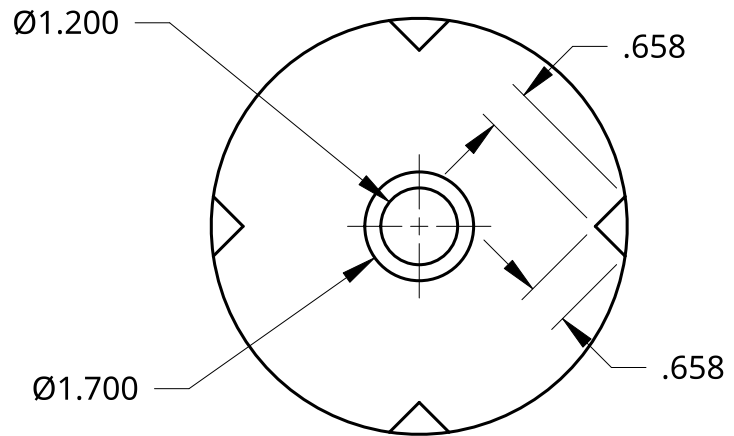
2

1

UNLESS OTHERWISE SPECIFIED, DIMENSIONS ARE IN INCHES .XX = ±.0- .XXX = ±.00- .XXXX = ±.000- SURFACE FINISH		NAME	DATE		
	DRAWN	Madeline Kempton	01/06/2023	TITLE	
	CHECKED				
	APPROVED				
DO NOT SCALE DRAWING				SIZE A	
BREAK ALL SHARP EDGES AND REMOVE BURRS				DWG NO.	REV.
THIRD ANGLE PROJECTION	MATERIAL	FINISH		SCALE 1:3	WEIGHT
				SHEET	1 of 5

2

1



B

B

A

A

2

1

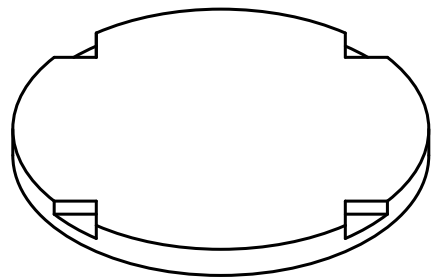
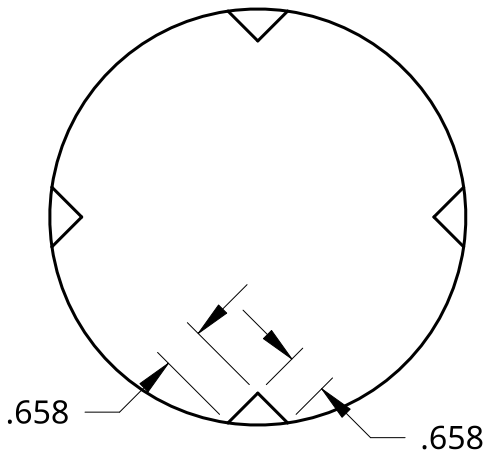
DWG NO.	SIZE A	SCALE 1:3	SHEET 2 of 5	REV.
---------	--------	-----------	--------------	------

2

1

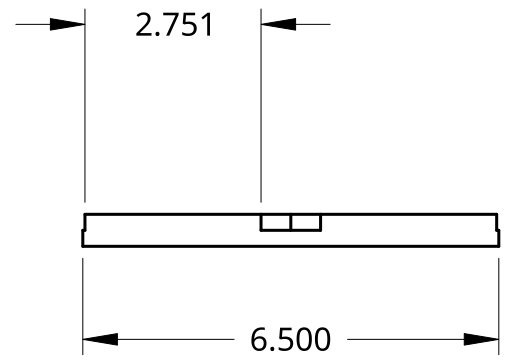
B

B



A

A



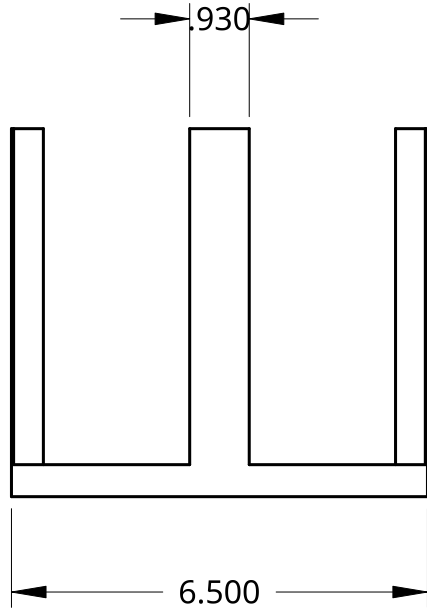
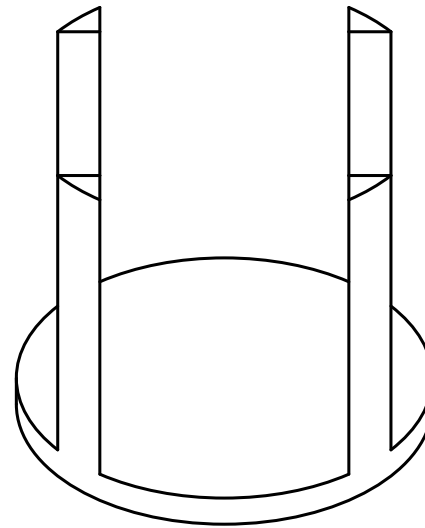
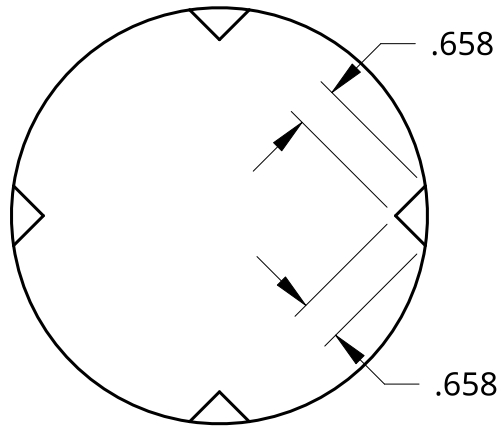
2

1

DWG NO.	SIZE A	SCALE 1:3	SHEET 3 of 5	REV.
---------	--------	-----------	--------------	------

2

1



DWG NO.	SIZE A	SCALE 1:3	SHEET 4 of 5	REV.
---------	--------	-----------	--------------	------

2

1

B

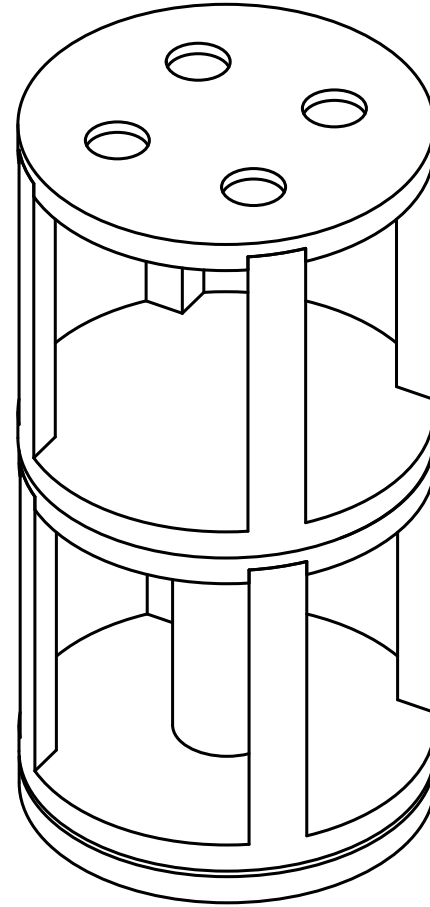
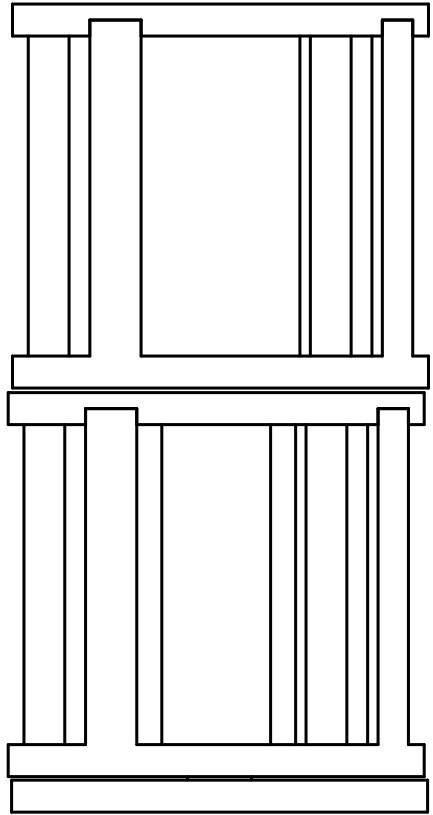
B

A

A

2

1



B

B

A

A

2

1