

Notes:

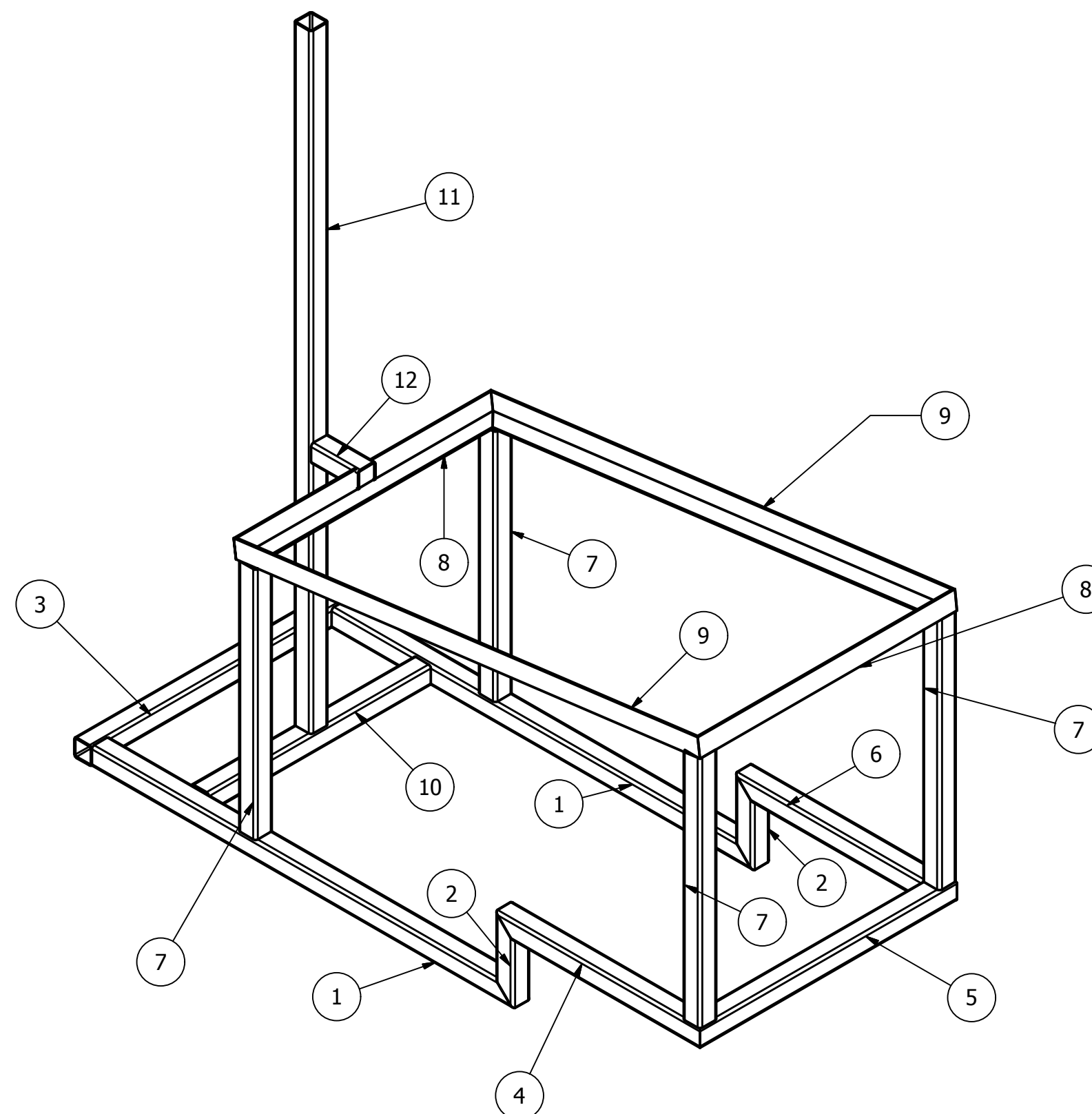
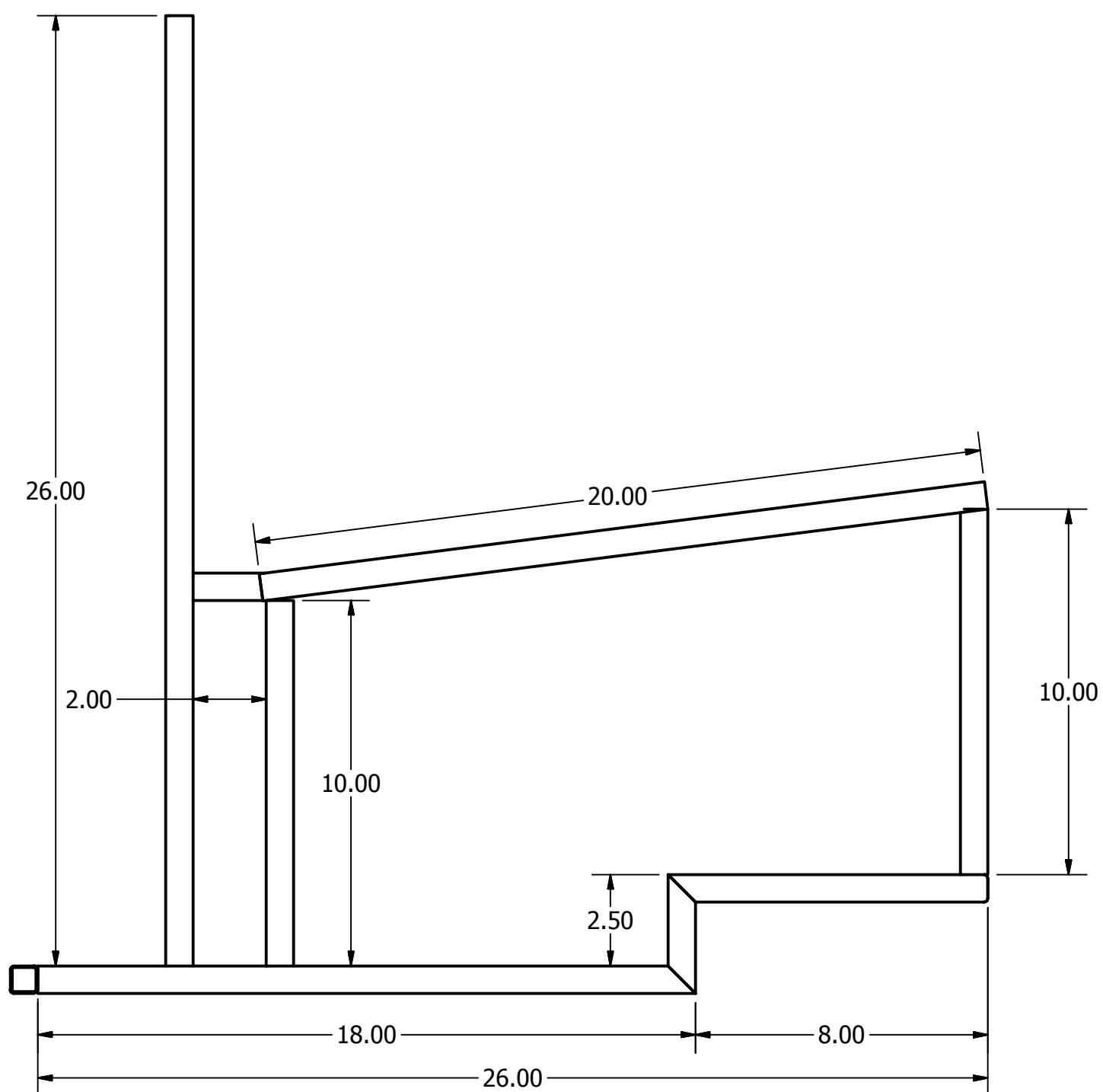
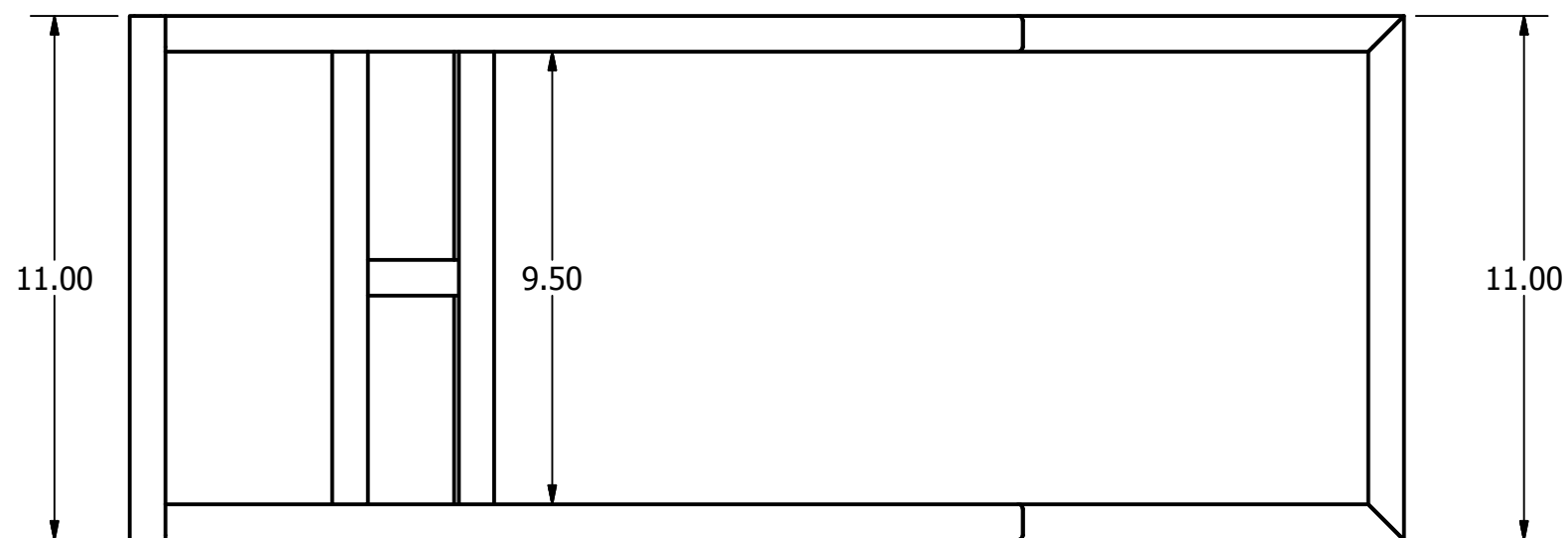
Tube is 0.75" square.

Lock wheels are mounted 2.5" back from the front of the cart.

Rear wheels are mounted flush with the rear and 0.25" down from the top of the square tube.

Mesh not shown.

PARTS LIST			
ITEM	QTY	PART NUMBER	DESCRIPTION
1	2	Square_18.75	
2	2	Small_Angled	
3	1	Rear_Horizontal	
4	1	Front_Angled_Right	
5	1	Front_Across	
6	1	Front_Angled_Left	
7	4	Vertical_10	
8	2	L_11	
9	2	L_20	
10	1	Cross_Brace	
11	1	Tank_Holder	
12	1	Tank_Holder_Vertical_Support	



DRAWN UZARSKI DESIGNS	9/29/2015	UZARSKI DESIGNS		
CHECKED		TITLE		
QA		WELDING CART		
MFG		SIZE	DWG NO	REV
APPROVED		C	Parts List	
		SCALE	SHEET 1 OF 1	