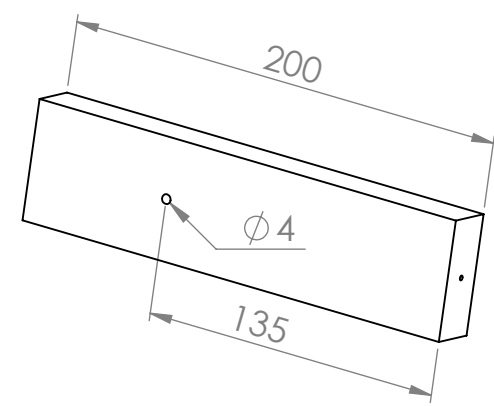
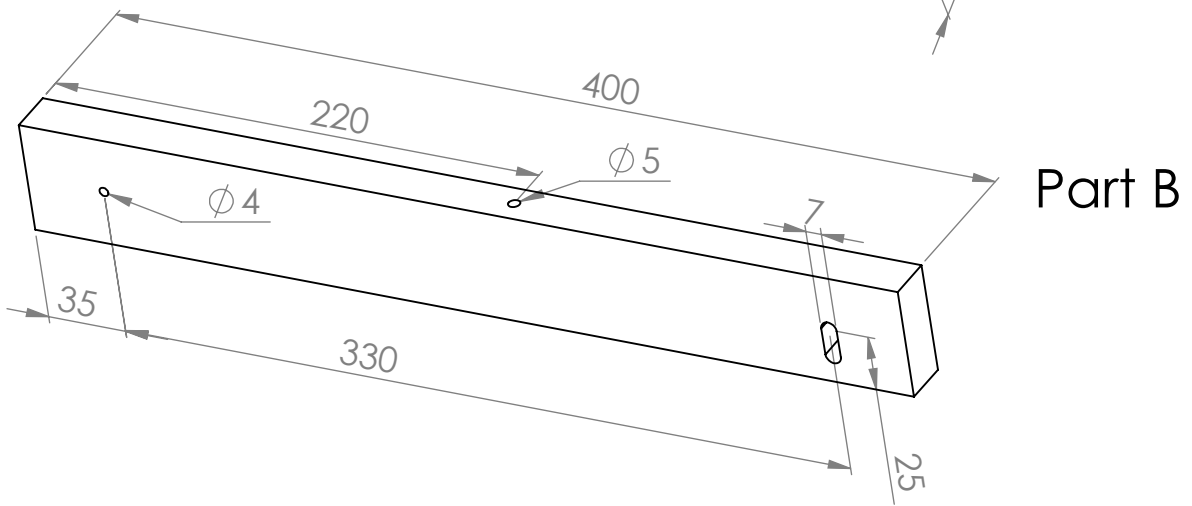


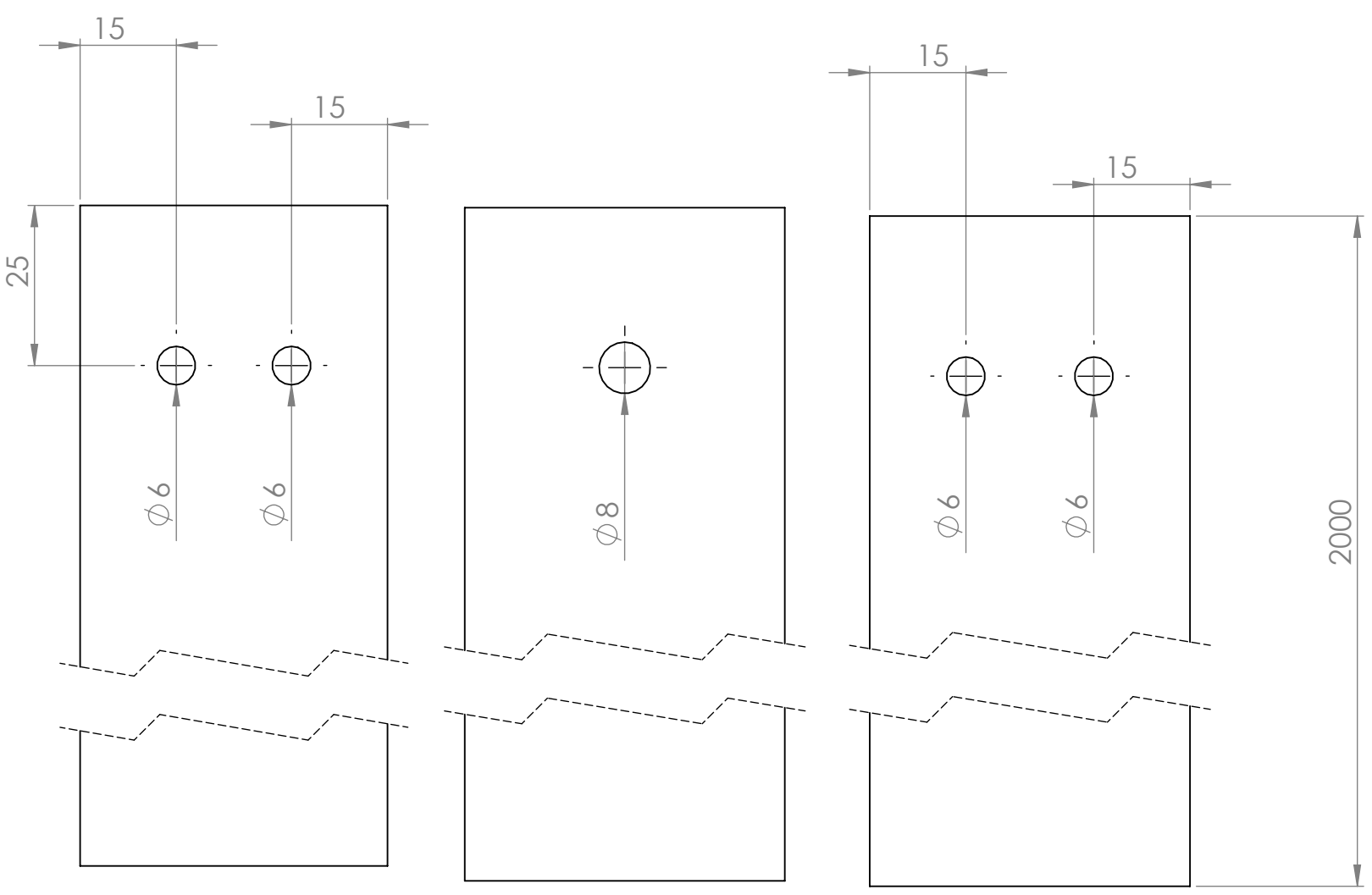
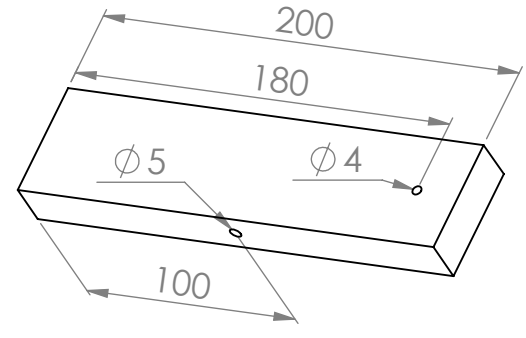
Part C



material: wood, 50x20mm  
 Holes without dimensions are position markers for screw



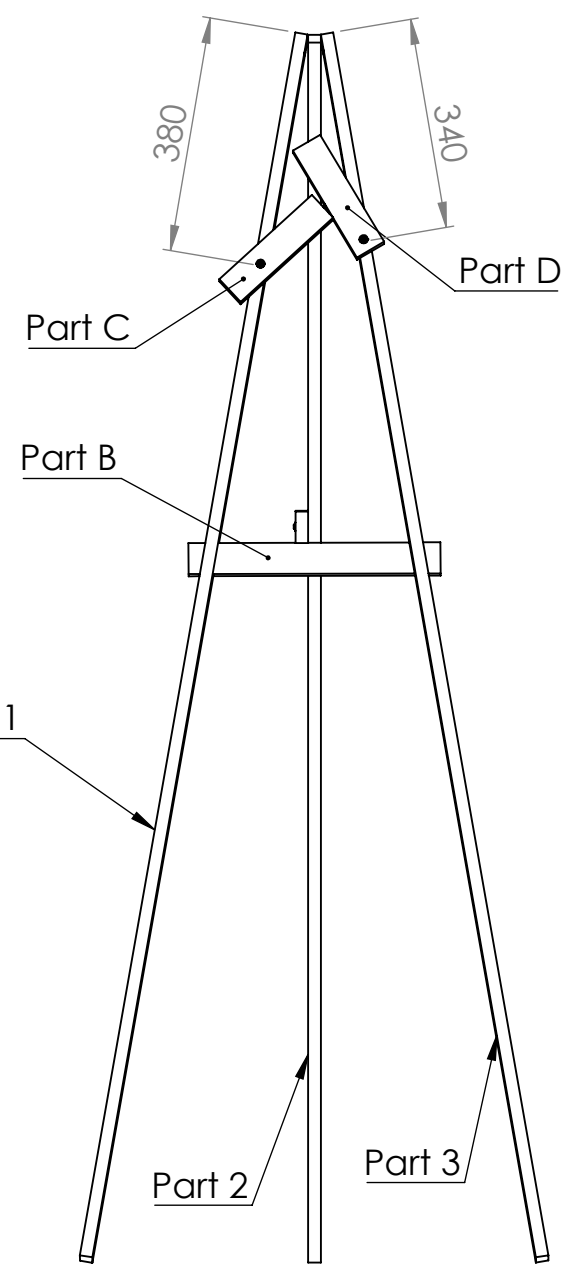
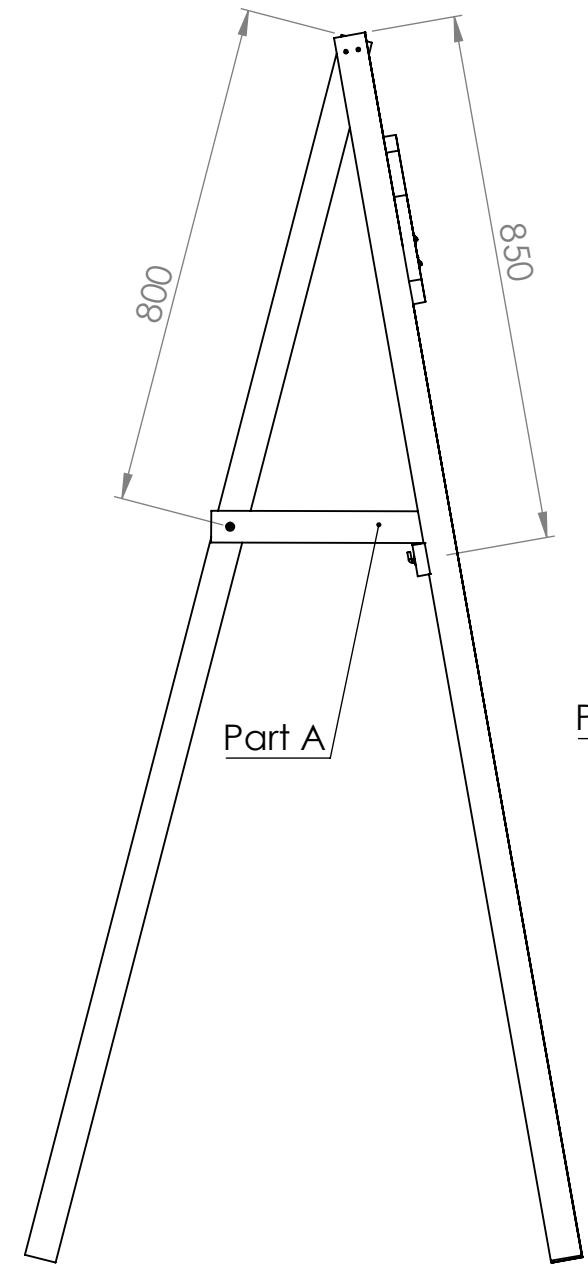
Part D



Part 1

Part 2

Part 3



Part A

Part 1

Part B

Part 2

Part 3