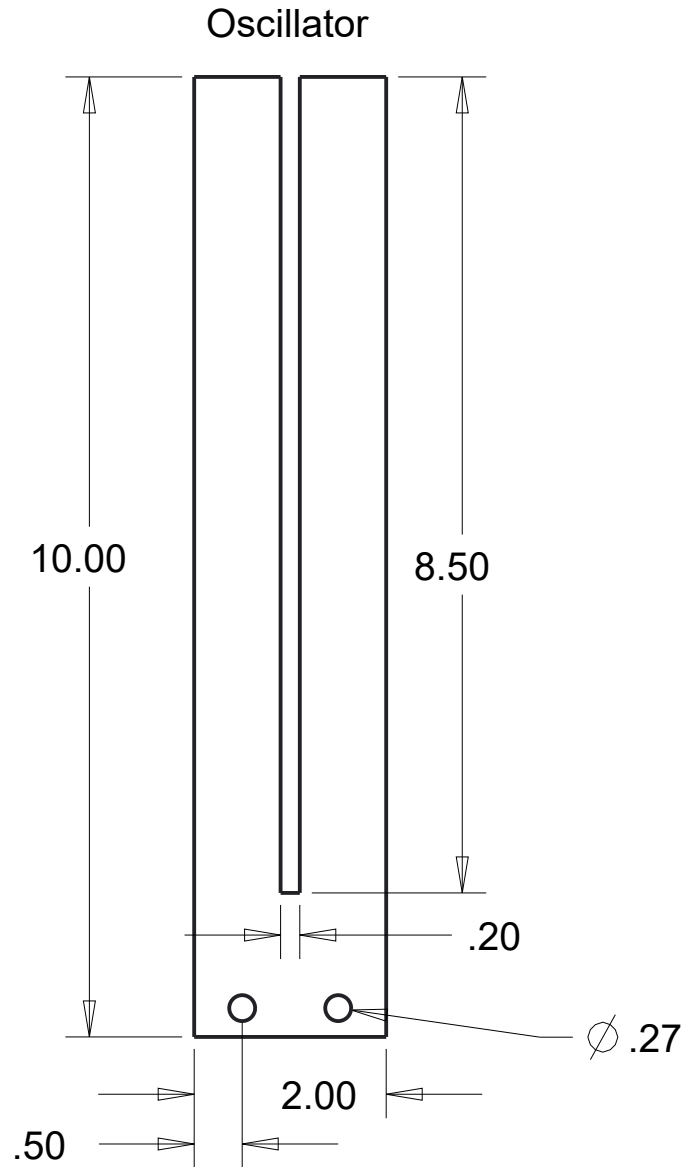
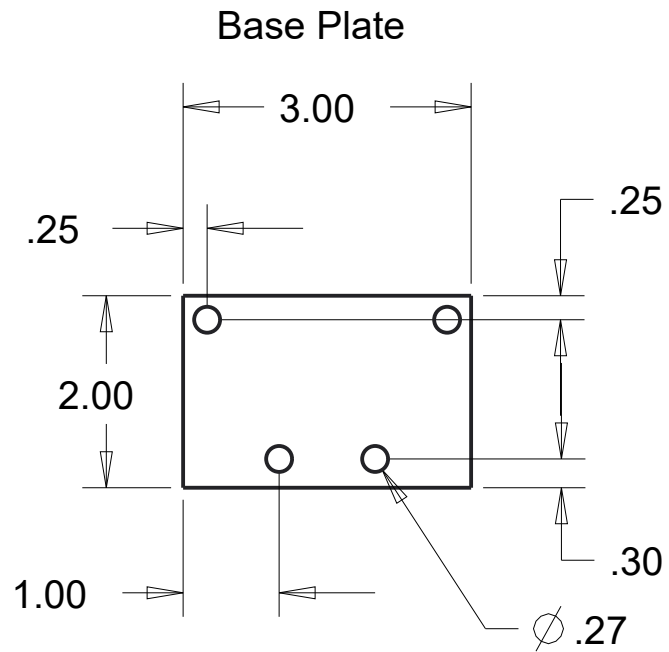
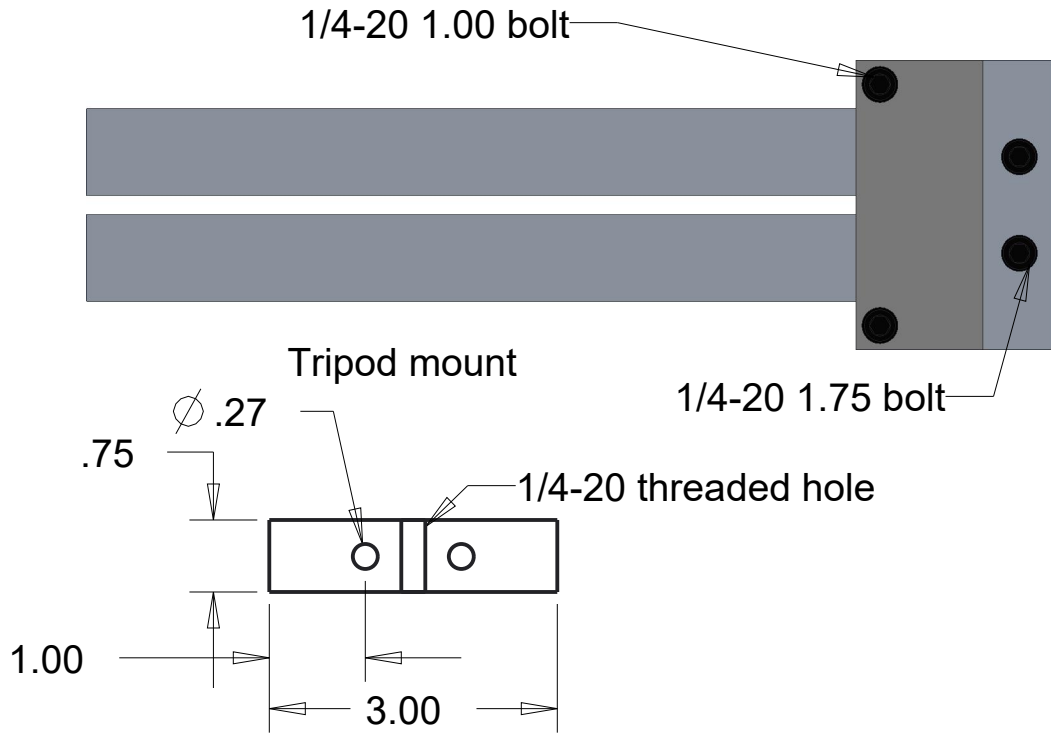


# Dimensions of parts



Note that Base Plate will reduce oscillator length to 8 inches