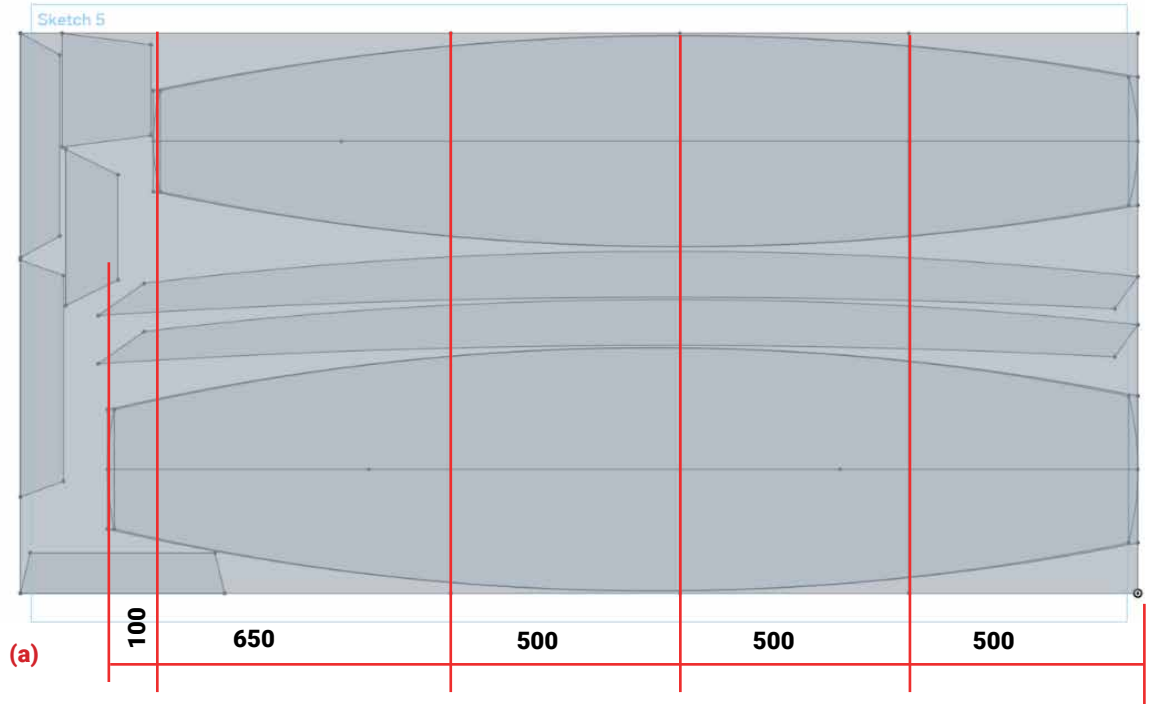


# OSSKI

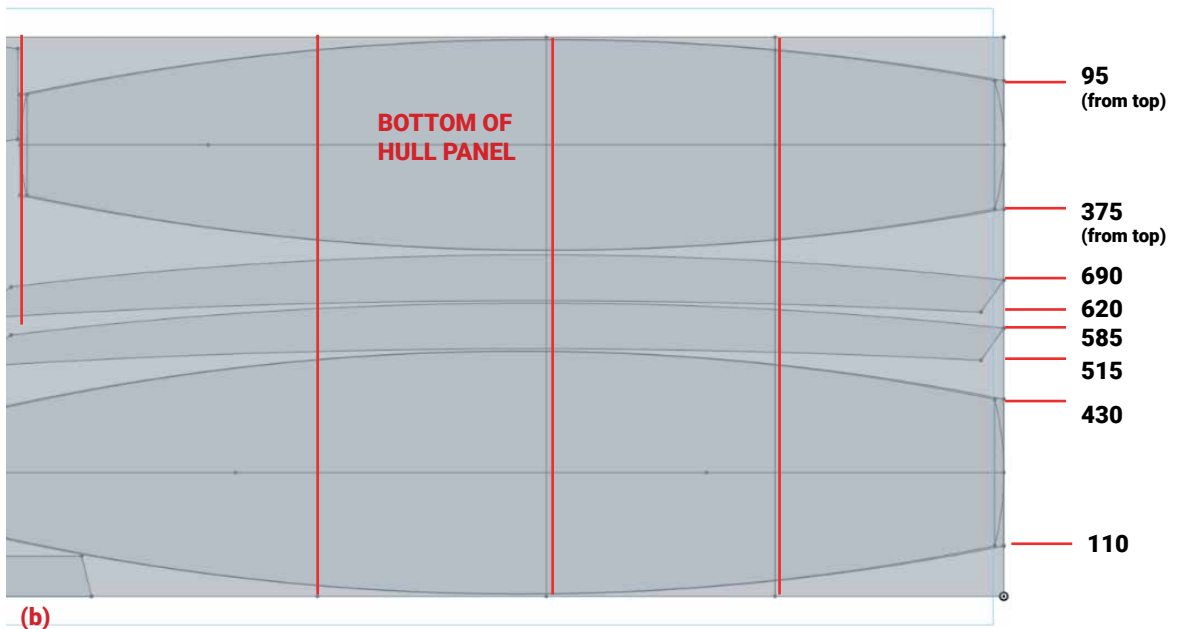


This document contains the dimensions to build the OSSKI (One sheet surk ski)  
Step by step instructions can be found on [instructables.com](https://www.instructables.com)

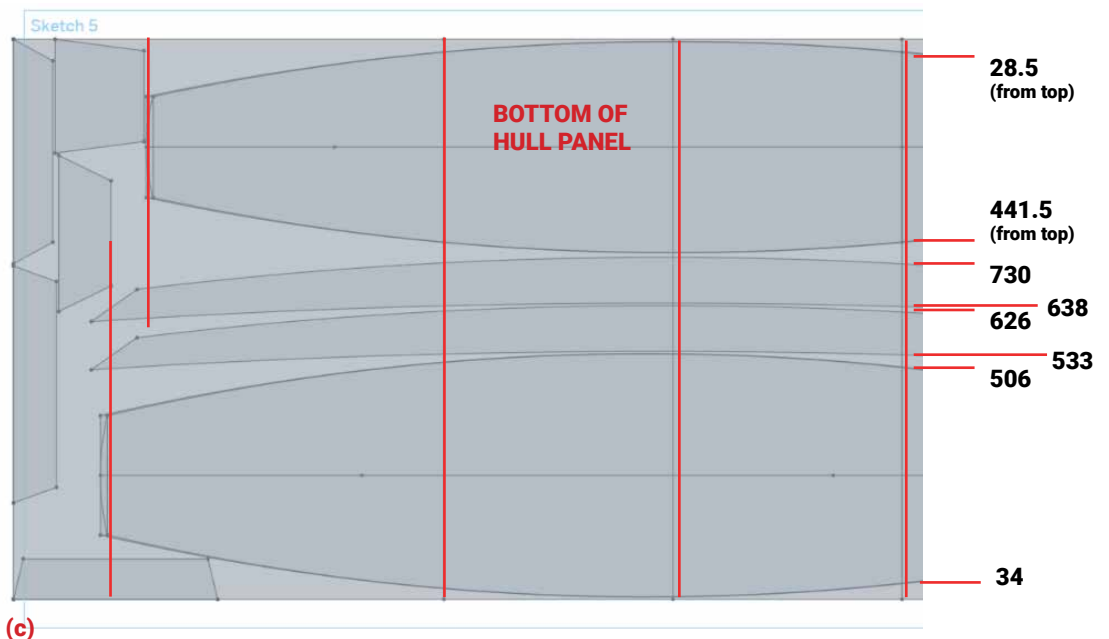
1 -  
Mark lines across the panel as shown in diagram (a). Measure from the right edge in the increments shown here.



2 -  
Mark points up the right edge of the sheet using the dimensions shown right in diagram (b). The points for the Bottom of hull panel are measured from the top edge of the sheet as indicated

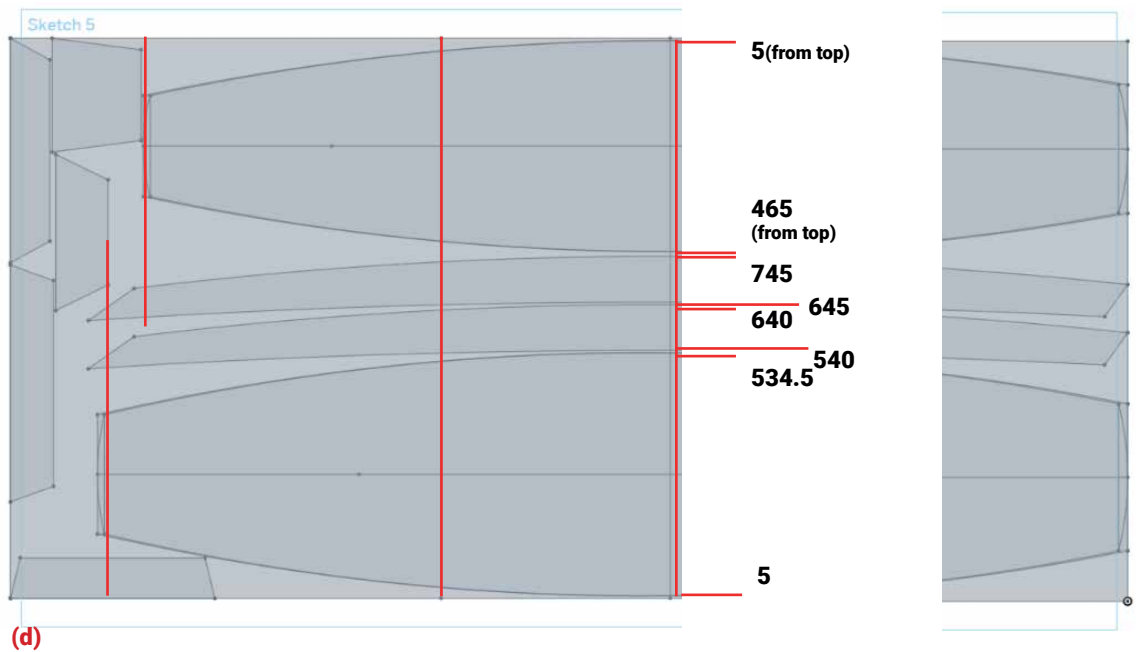


3 -  
Measure points on the next line running across the sheet as shown right in diagram (c). Again marking the 'bottom of hull' panel from the top edge of the sheet.



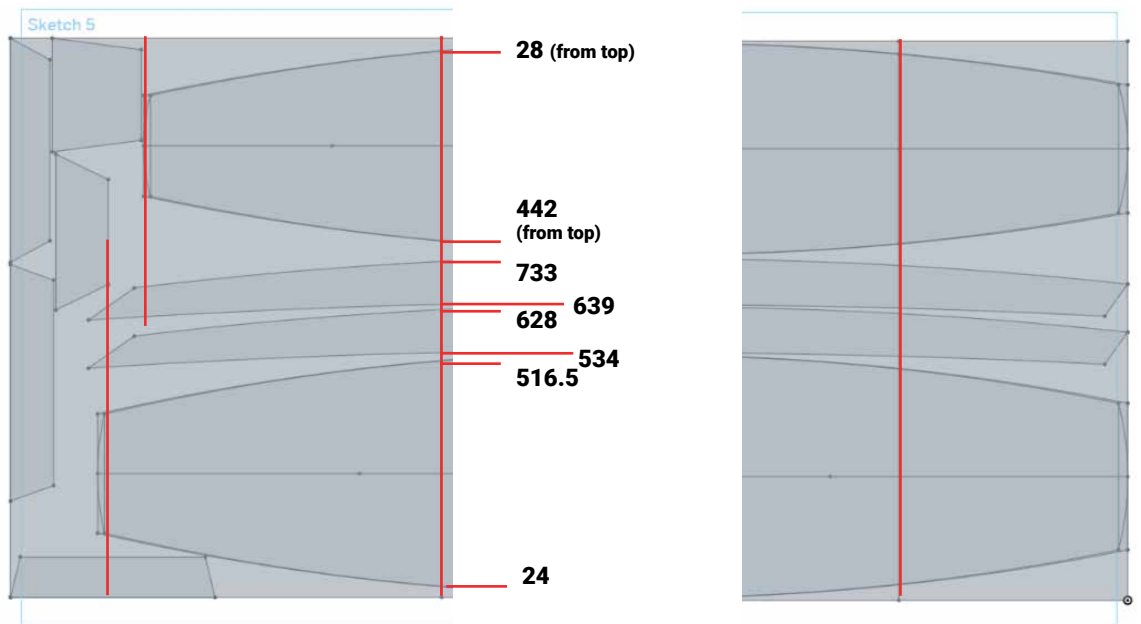
4 - Measure points on the next line running across the sheet as shown in diagram (d)

Many of these dimensions are only 5mm apart. This is the narrowest point you will need to cut between in the build so measure these accurately.



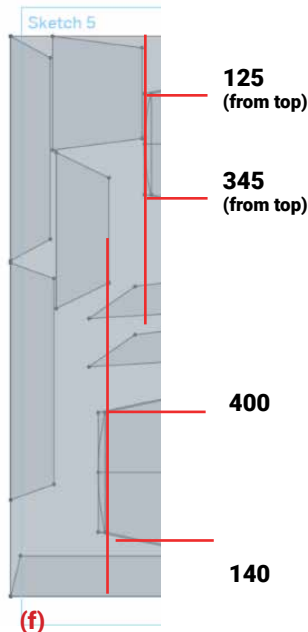
(d)

5 - Move to the next line



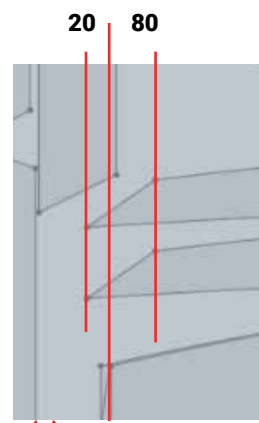
(e)

6 - For the final line mark the edge points for the large hull panels as shown then move to the final marks for the side panels as shown right in diagram (f) There are only two points to mark from the bottom edge and two points from the top edge.



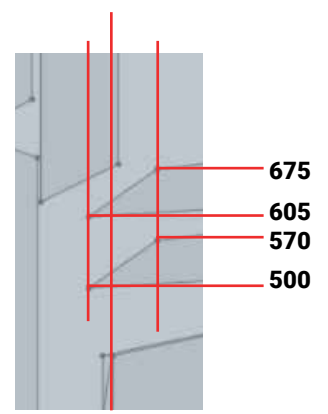
(f)

7 - Mark two more lines across the sheet for the hull sides as shown in (g) one 20mm to the left of the vertical line already drawn here, the other 80mm to the right of this line.



(g)

8 - Mark the end points of the hull sides as below measuring from the bottom edge of the plywood panel as shown below (h)



(h)

9 -  
Use a batten to join the dots and create your lines.

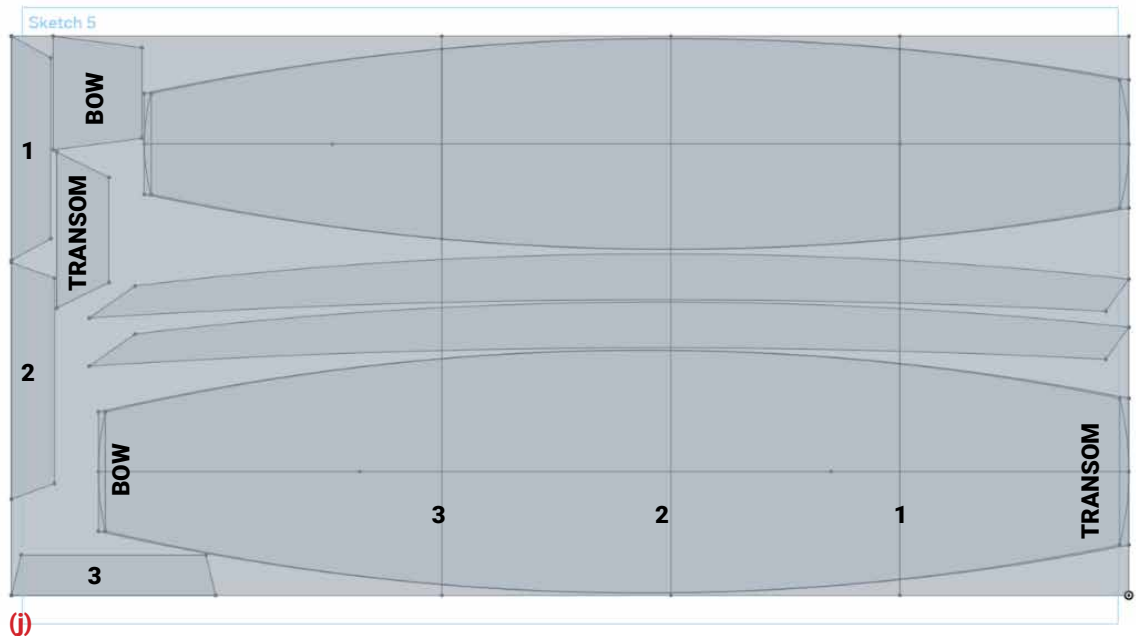
Use the plans below as a reference. Your shapes should look very similar!



(i)

10 -  
Draw in the bulkheads, bow and transom as laid out in diagram (j)

Use the dimensions below leaving a bit of extra on the top edge of the bow and transom (approx 20mm). This will allow you to trim these pieces to fit during construction.



(j)

