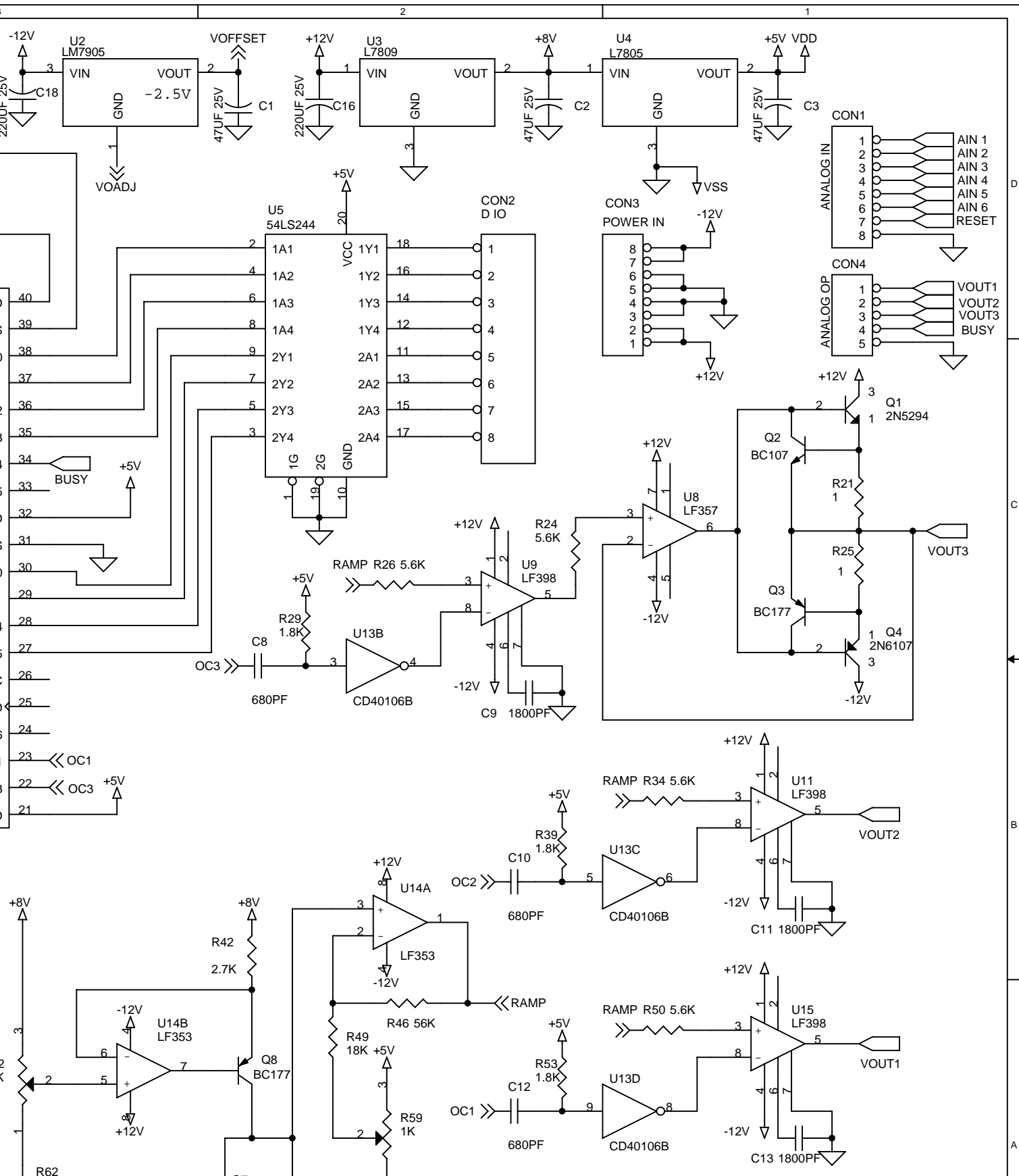
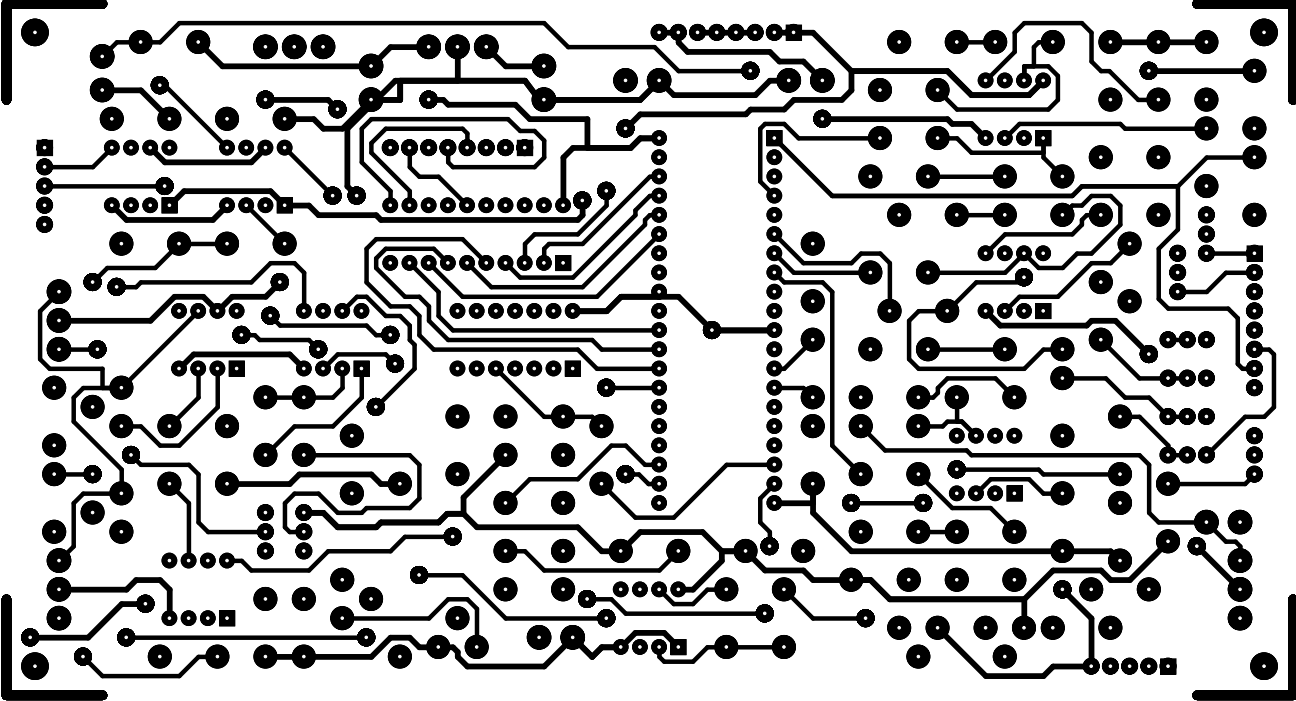


1	MCLR/VPP	AVDD
2	RB0/VREF+	AVSS
3	RB1/VREF-	PWM1L/RE0
4	RB2/AN2	PWM1H/RE1
5	RB3/AN3	PWM2L/RE2
6	RB4/AN4	PWM2H/RE3
7	RB5/AN5	PWM3L/RE4
8	RB6/AN6	PWM3H/RE5
9	RB7/AN7	VDD
10	RB8/AN8	VSS
11	VDD	RF0
12	VSS	RF1
13	OSC1/CLK	U2RX/RF4
14	OSC2/CLKOUT	U2TX/RF5
15	UIATX	U1RX/PGC
16	UIARX	U1TX/PGD
17	RE8/INT0	SCK1/RF6
18	RD1/OC2	RD0/INT1/OC1
19	RD3/OC4	RD2/OC3
20	VSS	DSPIC30F4011
		VDD



Title		
ANALOG CIRCUIT TEST BENCH		
Size	Document Number	Rev
B	AJ-ATE	Ver-2
Date:	Sunday, August 12, 2012	Sheet 1 of 1

11. Appendix – II PCB Top (Mirrored) 1:1



12. Appendix – III PCB Bottom 1:1

