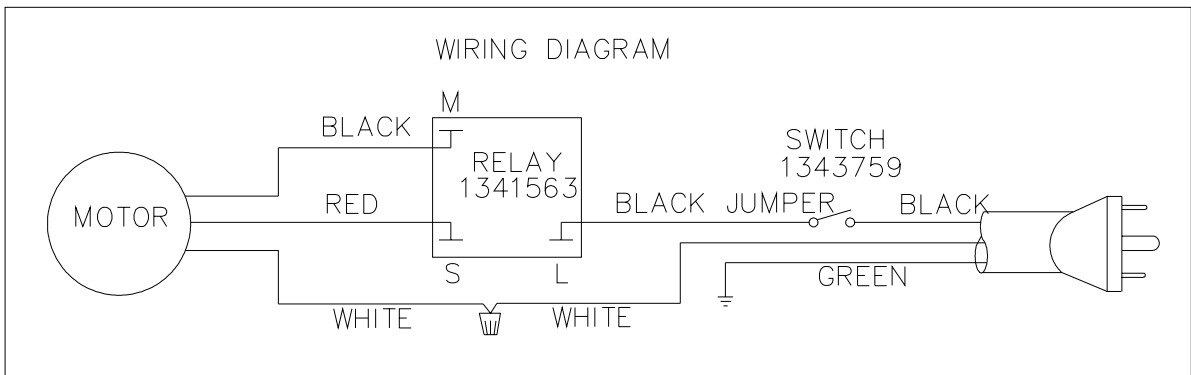
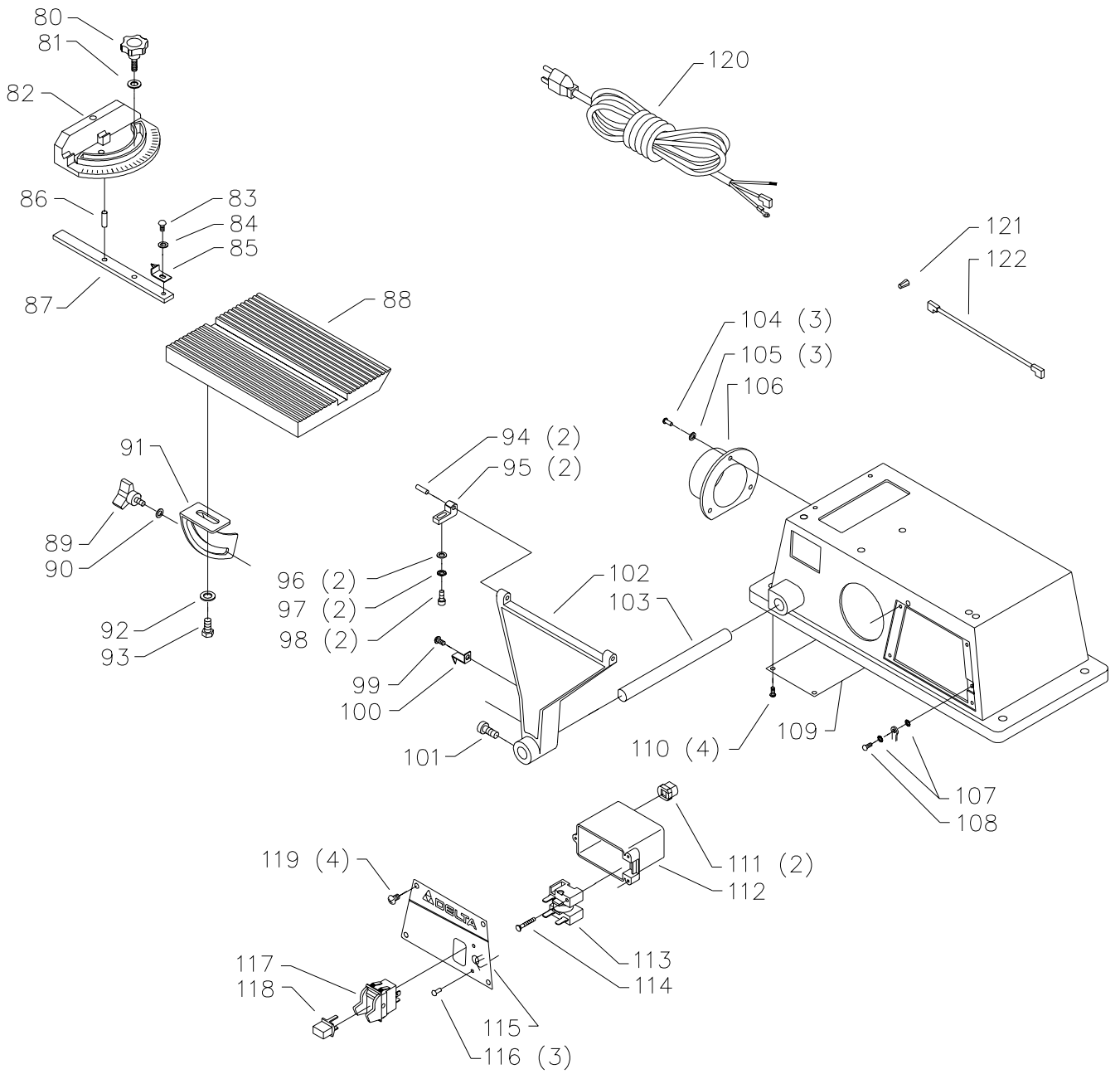


REPLACEMENT PARTS

Ref.			Ref.		
<u>No.</u>	<u>Part No.</u>	<u>Description</u>	<u>No.</u>	<u>Part No.</u>	<u>Description</u>
1	1310547	M4.2 X 12MM PAN HD SCREW	39	1341533	RUBBER WASHER
2	1347201	COVER	40	1341537	SPRING
3	OPTIONAL	SANDING DISC	41	1341526	WASHER
4	1341557	SANDING PLATE	42	1341539	RUBBER WASHER
5	901-04-150-0208	1/4-20 X 1/4" HEX SOC SET SCREW	43	1341540	TRACKING KNOB W/SCREW
6	1246090	M6 X 30MM CHEESE HD SCREW	44	1341532	SPRING
7A	902743	ROTATION LABEL	45	1347208	SANDING BELT ARM
7	1347202	GUARD, INCL;	46	1341546	1/2-13 JAM NUT
8	1347220	BELT	47	1341545	SCREW
9	1341560	PULLEY	48	1243398	M8 HEX NUT
10	902857	TRUNNION	49	1347219	M8 X 40MM HEX SOC SET SCREW
11	1243554	M8 X 35MM HEX SOC HD SCREW	50	1246054	M8 X 20MM HEX SOC HD SCREW
12	1343053	M5 X 10MM PAN HD SCREW	51	1347209	BUMPER
13	901-02-010-0541	10-24 X 3/4" ROUND HD SCREW	52	902858	BASE
14	1347204	RETAINER	52A	902719	WARNING LABEL
15	1347205	PIVOT	53	1341544	GROMMET
16	694147	BALL BEARING	54	1246054	M8 X 20MM HEX SOC HD SCREW
17	1243497	EXT RET RING	55	1243526	M8.4 FLAT WASHER
18	901-04-150-0208	1/4-20 X 1/4" HEX SOC SET SCREW	56	1246157	M8.1 LOCK WASHER
19	1341528	SANDING DRUM	57	1246016	M8 X 25MM HEX HD SCREW
20	1343053	M5 X 10MM PAN HD SCREW	58	1349900	MOTOR PULLEY,INCL;
21	1343538	M5.1 LOCK WASHER	58A	1349902	M5 X 8MM HEX SOC SET SCREW
22	1246102	M5.3 FLAT WASHER	59	1341547	EXT RET RING
23	1347206	DUST CHUTE	60	1349901	MOTOR ASSY
24	OPTIONAL	SANDING BELT	61	1347212	SUPPORT ROD
25	901-02-140-3712	10-24 X 3/8" BIND HD SCREW	62	901-01-060-0611	1/4-20 X 1/2" HEX HD SCREW
26	1341531	RETAINER	63	904-01-010-1604	5/16" FLAT WASHER
28	1243497	EXT RET RING	64	1347213	FENCE
29	1347207	DRIVE SHAFT	66	902723	TENSION LABEL
30	1341533	RUBBER WASHER	67	1341583	1/4-20 LOCK NUT
31	1243497	EXT RET RING	68	1341541	LEVER
32	1341534	BUSHING	69	1341542	SLEEVE
33	1341535	IDLER SHAFT	70	904-02-020-1702	1/4" LOCK WASHER
34	1341538	BRACKET	71	901-01-060-0623	1/4-20 X 1" HEX HD SCREW
35	1341536	SANDING DRUM	72	428-07-101-0002	6MM HEX WRENCH
36	1341534	BUSHING	73	1341571	1/8" X 4" HEX WRENCH
37	1341580	WAVE WASHER			
38	1243497	EXT RET RING			



REPLACEMENT PARTS

Ref.	No.	Part No.	Description
*		1341584	MITER GAGE ASSY, CONST OF:
80		1341577	KNOB
81		904-01-010-1604	5/16" FLAT WASHER
82		1341576	MITER GAGE BODY
83		1246088	M5 X 6MM CHEESE HD SCREW
84		904-01-010-1603	1/4" FLAT WASHER
85		1341574	POINTER
86		1341575	PIN
87		1341573	GUIDE BAR
*		1349995	TABLE ASSY, CONST OF;
88		902859	TABLE
89		1341555	KNOB
90		904-01-010-1603	1/4" FLAT WASHER
91		1341556	TABLE ANGLE SCALE
92		904-01-010-1605	3/8" FLAT WASHER
93		901-01-060-0606	5/16-18 X 5/8" HEX HD SCREW
94		1341550	PIN
95		1341552	SUPPORT
96		904-01-010-1603	1/4" FLAT WASHER
97		904-03-030-1795	3/16" EXT TOOTH WASHER
98		901-03-010-0224	10-32 X 1/2" HEX SOC HD SCREW
99		901-02-010-0551	10-32 X 1/4" ROUND HD SCREW
100		1341554	POINTER
101		1246054	M8 X 20MM HEX SOC HD SCREW
102		902932	BRACKET
103		1341549	SUPPORT ROD
104		1343053	M5 X 10MM PAN HD SCREW
105		1246102	M5.3 FLAT WASHER
106		902860	DUST SPOUT
107		904-03-030-1795	3/16" EXT TOOTH WASHER
108		1341235	M4 X 12MM CHEESE HD SCREW
109		1347216	COVER
110		1246047	M5 X 16MM CHEESE HD SCREW
111		1341570	STRAIN RELIEF
112		1341568	SWITCH BOX
113		1341563	RELAY
114		1341582	08-32 X 1 1/4" THD FORM SCREW
115		905742	NAMEPLATE
116		1310547	M4.2 X 12MM PAN HD SCREW
117		1343759	SWITCH, INCL:
118		400-06-068-0002	SWITCH KEY
119		1243394	M5 X 10MM CHEESE HD SCREW
120		1341566	CORD W/Terminal
121		1341198	WIRE NUT
122		1347218	JUMPER WIRE
*			NOT SHOWN ASSEMBLED

STANDARD SAFETY EQUIPMENT

In order to promote tool safety, Delta Machinery strictly enforces the policy of repairing or replacing any damaged or missing standard safety equipment on machines presented to Delta Authorized Service Centers for service/repairs. Any product that is presented to a Delta Authorized Service Centers for repairs which contains missing or damaged standard safety equipment will have that equipment repaired or replaced and the customer will be charged for any such service/repairs. Customers can avoid such charges only if the missing safety component is supplied to the service center at the time of repair.

This parts list is provided to aid in obtaining service parts. Copies of the instruction and maintenance literature can be obtained through the Delta Technical Publications Department or through your service outlet.