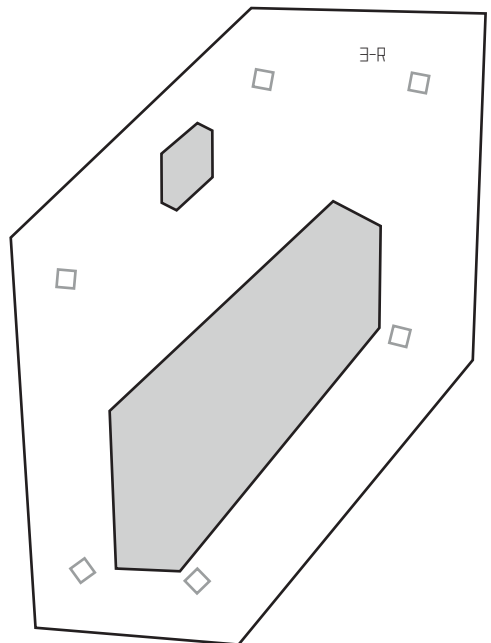
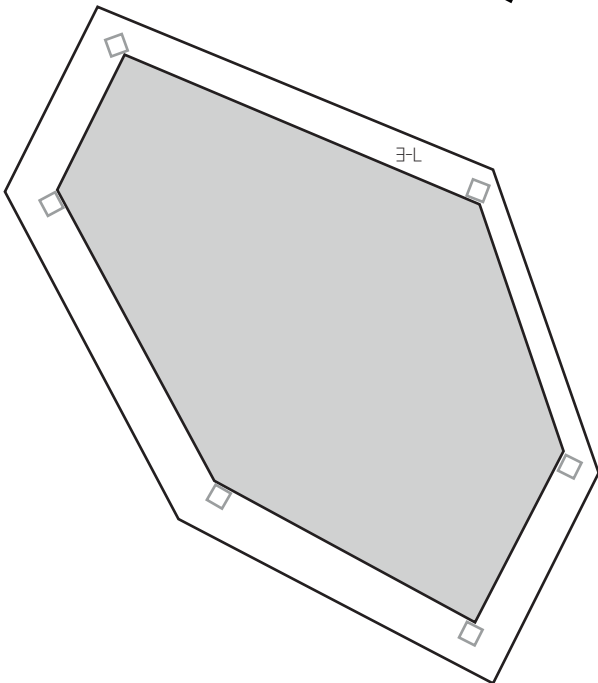
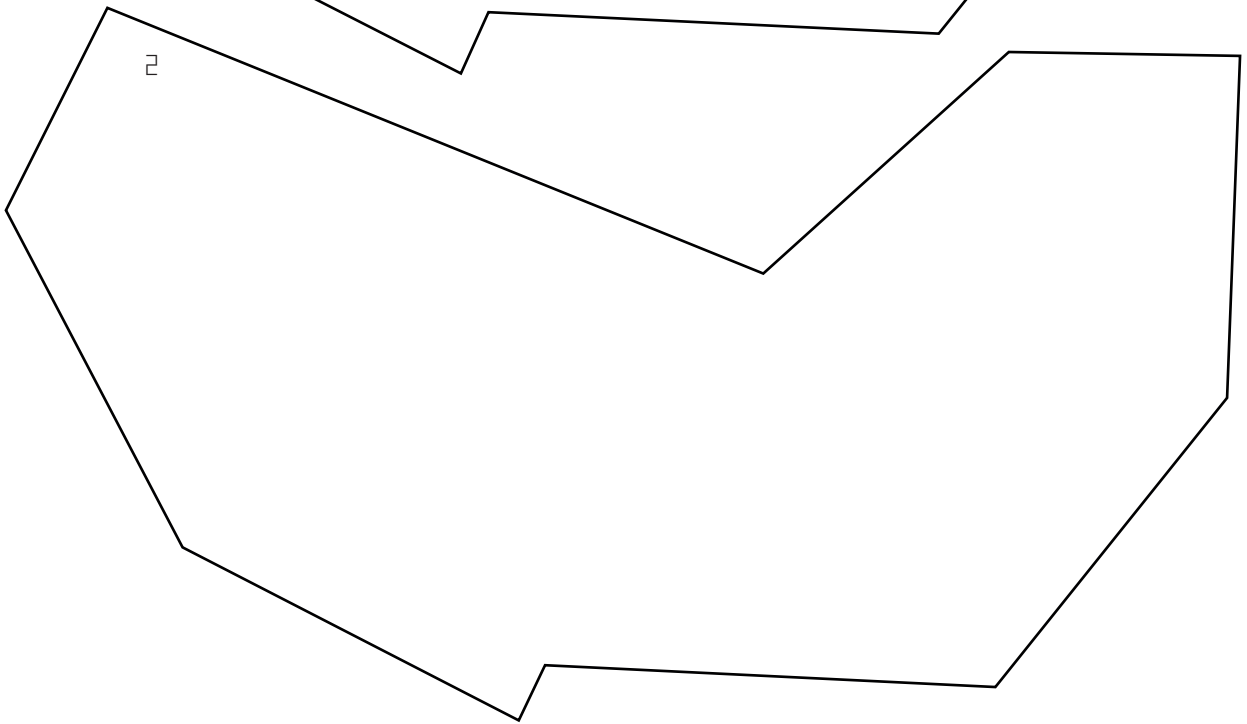
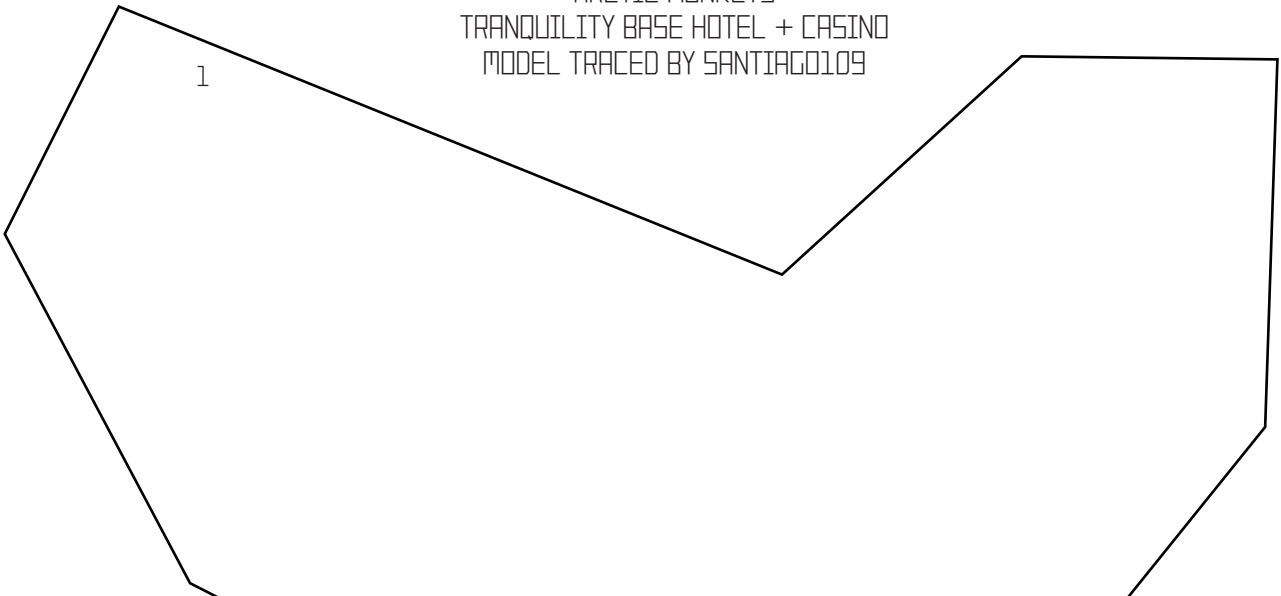
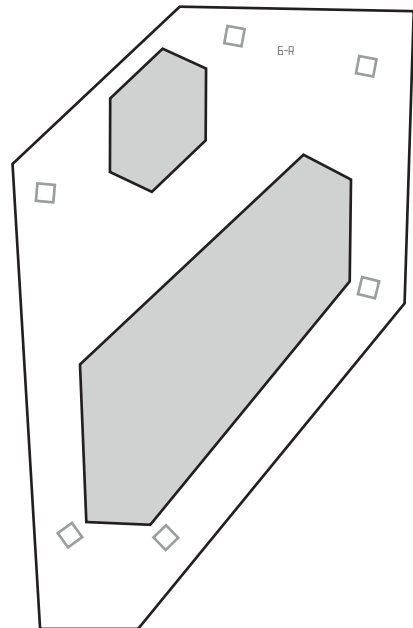
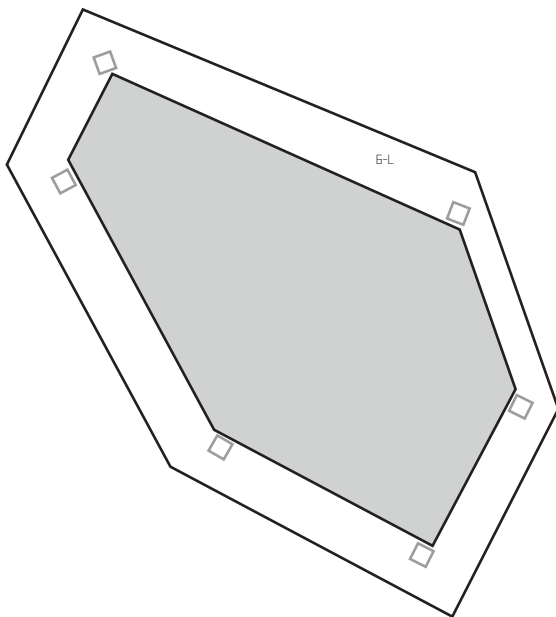
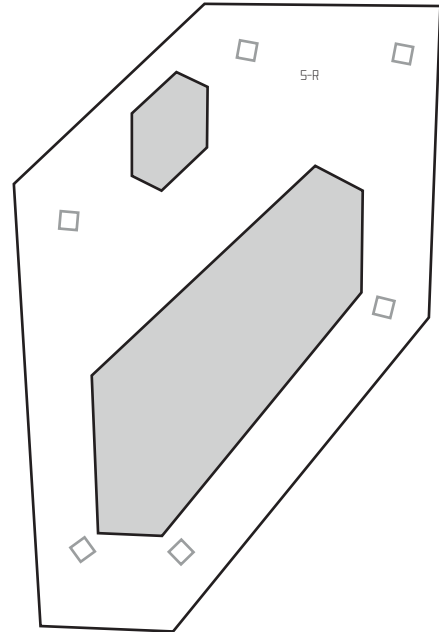
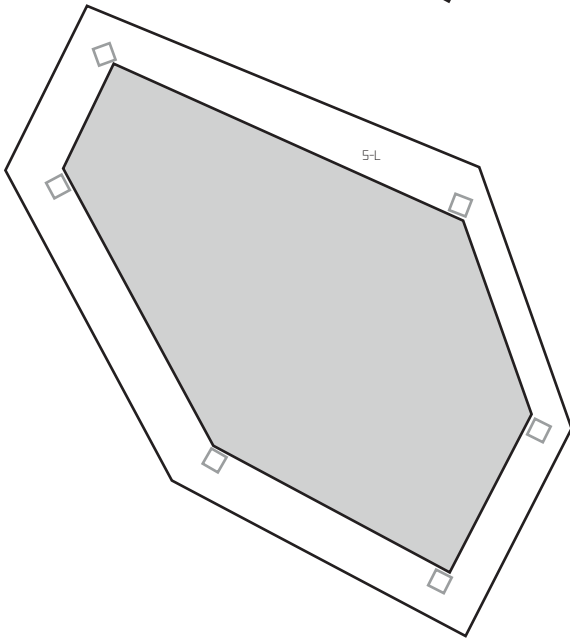
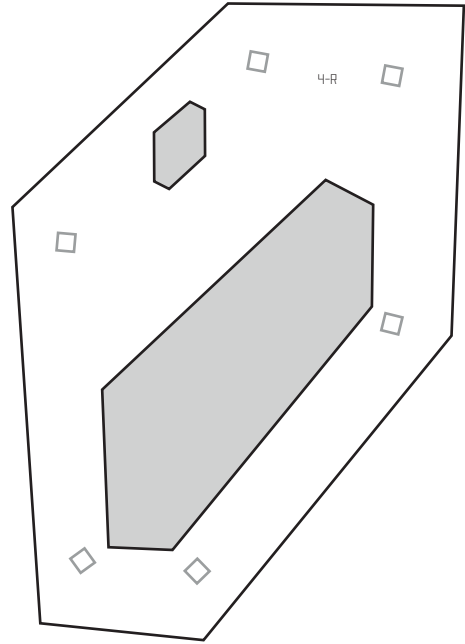
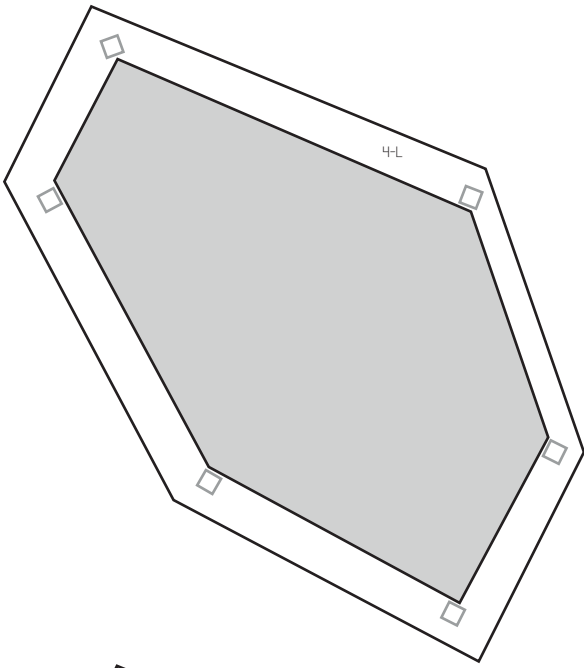
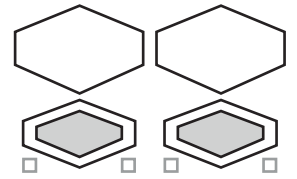
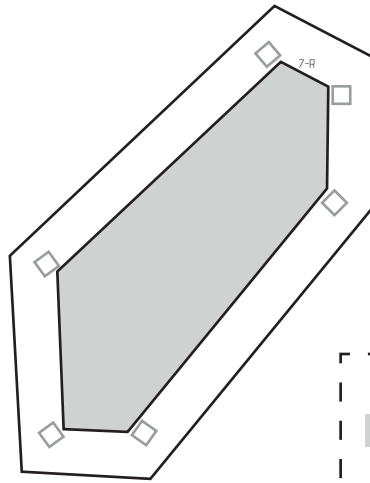
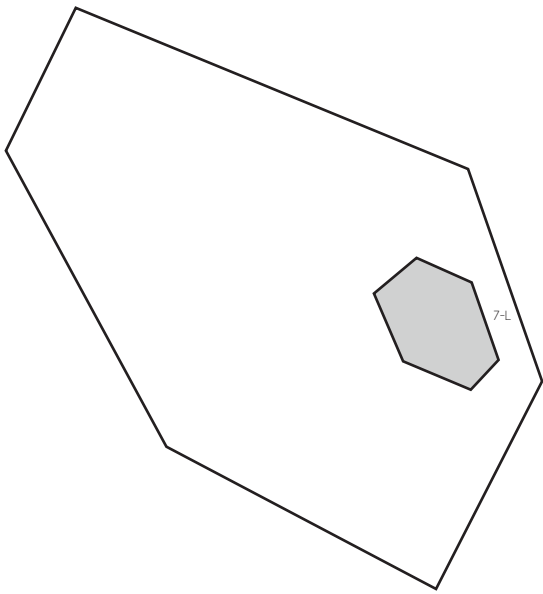


ARCTIC MONKEYS  
TRANQUILITY BASE HOTEL + CASINO  
MODEL TRACED BY SANTIAGO109





ARCTIC MONKEYS  
TRANQUILITY BASE HOTEL + CASINO  
MODEL TRACED BY SANTIAGO1.09



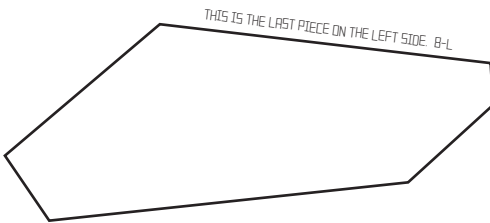
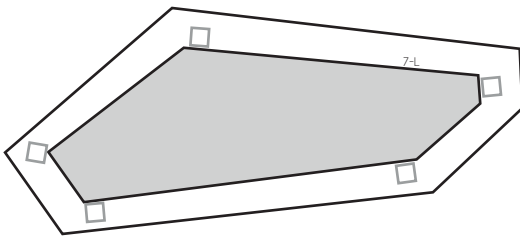
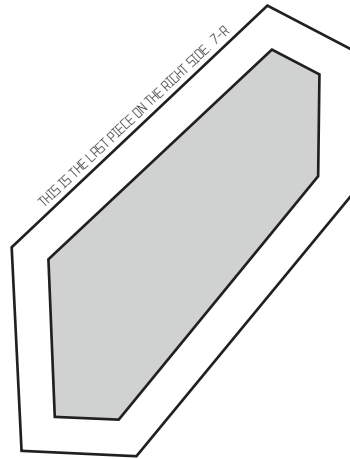
THIS IS THE HIGH SIGN

## INSTRUCTIONS

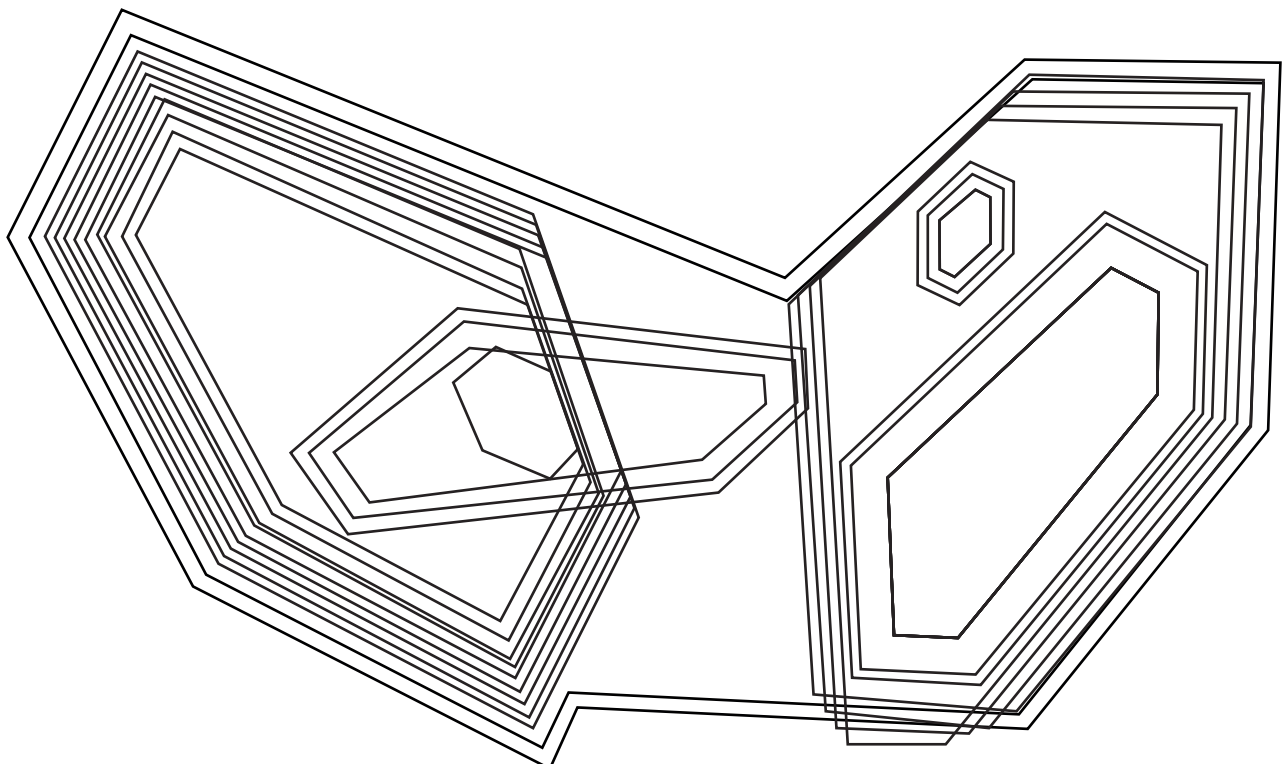
- THE GRAY AREAS WILL BE REMOVED.
- THESE SMALL SQUARES MARK THE POSITION OF THE COLUMNS, YOU CAN CUT OUT THE COLUMNS OF THE SAME SIZE AS THE SQUARES, DEPENDING ON THE THICKNESS OF YOUR PAPER YOU CAN PASTE ONE ON TOP OF THE OTHER AND CREATE A COLUMN. IN TOTAL THERE ARE 59 SQUARES, AND 4 FOR THE SIGN.
- ⬡ EACH PIECE IS MARKED WITH A NUMBER AND ITS RESPECTIVE SIDE EXCEPT THE LAST TOP OF EACH SIDE.

V 1.0

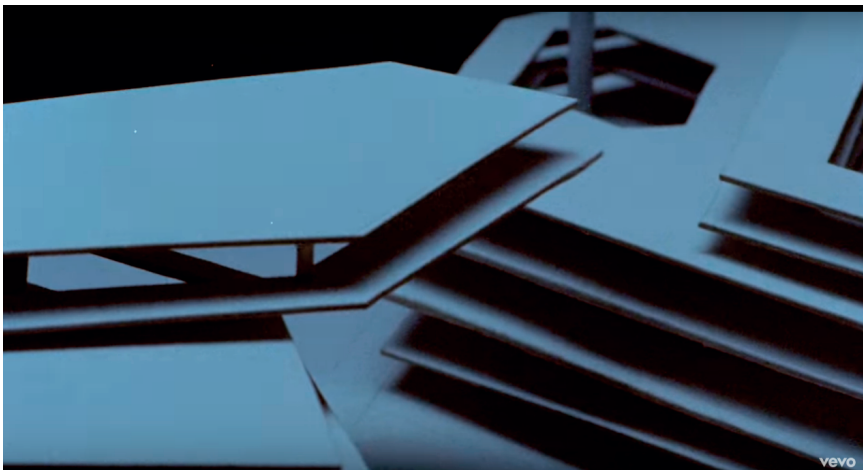
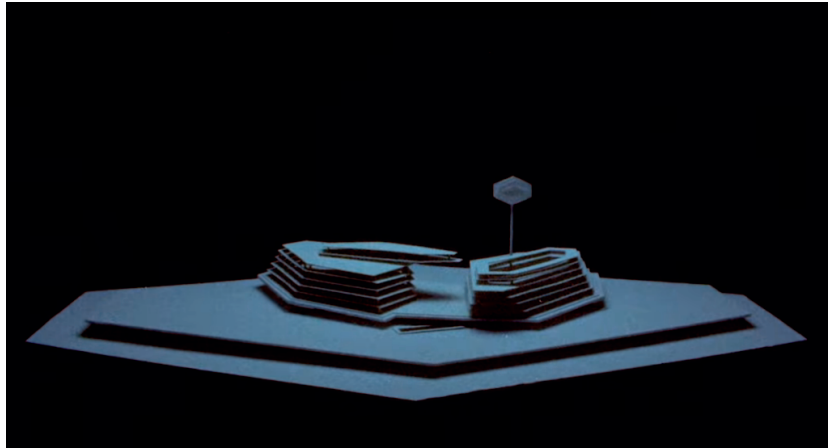
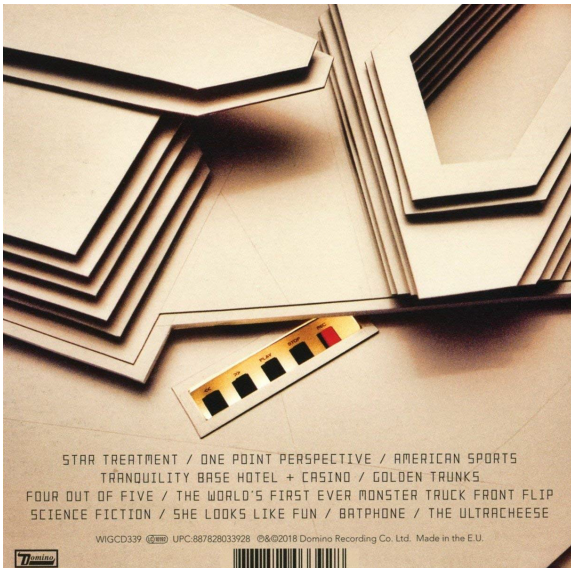
[REDDIT.COM/R/ARCTICMONKEYS/](https://REDDIT.COM/R/ARCTICMONKEYS/)



ARCTIC MONKEYS  
 TRANQUILITY BASE HOTEL + CASINO  
 MODEL TRACED BY SANTIAGO109



VISUAL REFERENCES



ARCTIC MONKEYS  
TRANQUILITY BASE HOTEL + CASINO  
MODEL TRACED BY SANTIAGO109