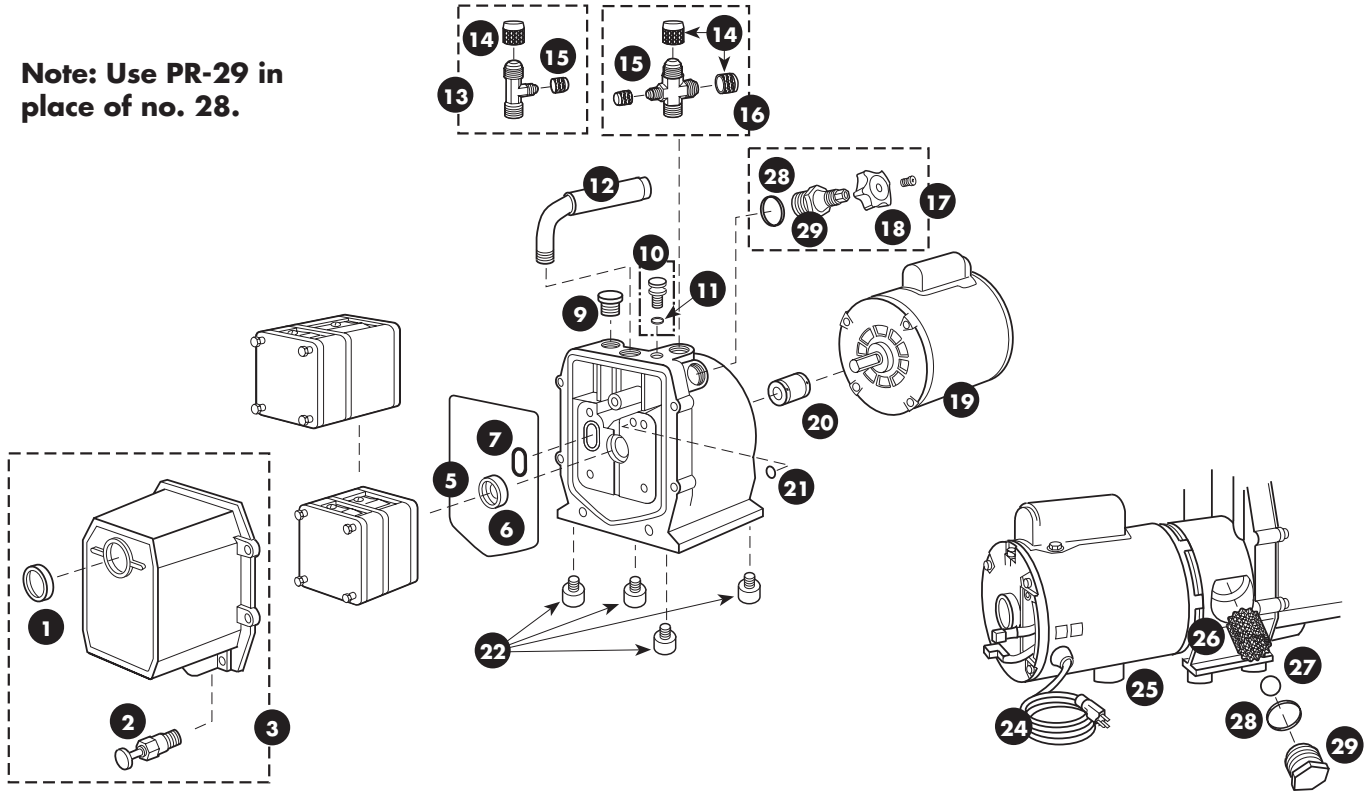


## DV-85 and DV-142 Series Vacuum Pumps

**Note: Use PR-29 in place of no. 28.**



Reference	Part No.	Description
1	PR-1	Sight glass
2	PR-2	Drain valve
3	Obsolete	Cover assembly includes sight glass and drain valve
5	PR-311	Cover seal
6	PR-3	Shaft seal
7	PR-315	Trap intake O-ring
8	PR-40	5 CFM splash guard and screw
9	PR-22	Oil fill plug with O-Ring
10	PR-7	Gas ballast without O-Ring
11	P90009	Gas ballast O-Ring
12	PR-205	Cushioned handle
13	PR-5	DV-85 intake tee with caps
14	NFT5-6	3/8" O-Ring cap
15	NFT5-4	1/4" O-Ring cap

Reference	Part No.	Description
16	PR-24	DV-142 intake cross with caps
18	MR-501B	Nylon handwheel
19	PR-206	1/2 HP, 115V, 60 HZ Motor with line cord and switch
19	PR-207	1/2 HP, 115/230 V, 50/60 HZ Motor with line cord and switch
19	PR-307	1/2 HP, 230 V, 50HZ motor with line cord and switch
20	PR-6	Flexible coupler
21	PR-12	Trap gas ballast O-Ring
22	PR-4	Rubber foot and screw assy. (1 per package)
24	PR-31	Line cord
25	PR-42	Motor foot and screw
26	Obsolete	Oil filter
27	Obsolete	Check ball
28	Obsolete	No longer available
29	Obsolete	Oil filter plug with O-Ring
not shown	PR-18	Cartridge valve repair kit. All pumps excluding DV-142 (6 digit serial number)

**Operating instructions for all pumps manufactured since 1980 available under "Warranty/Repair" at [www.jbind.com](http://www.jbind.com).**