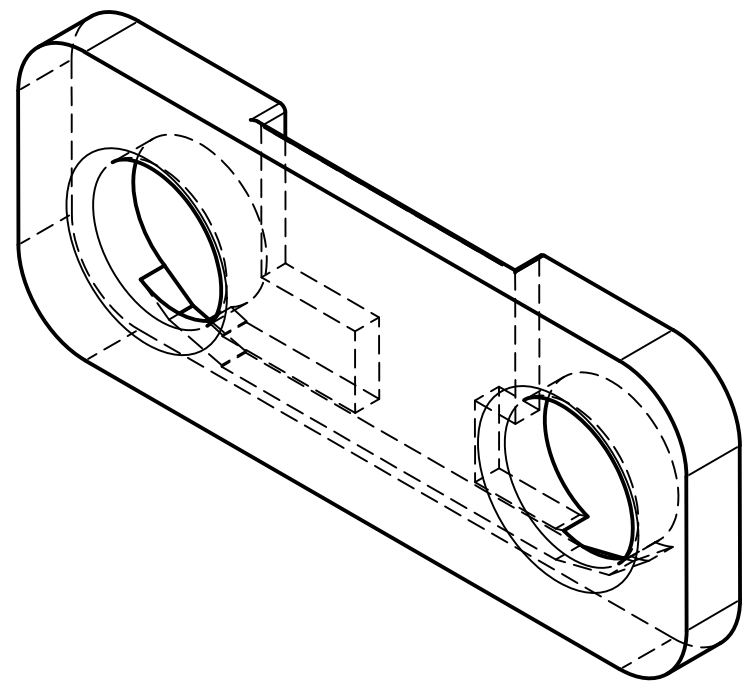
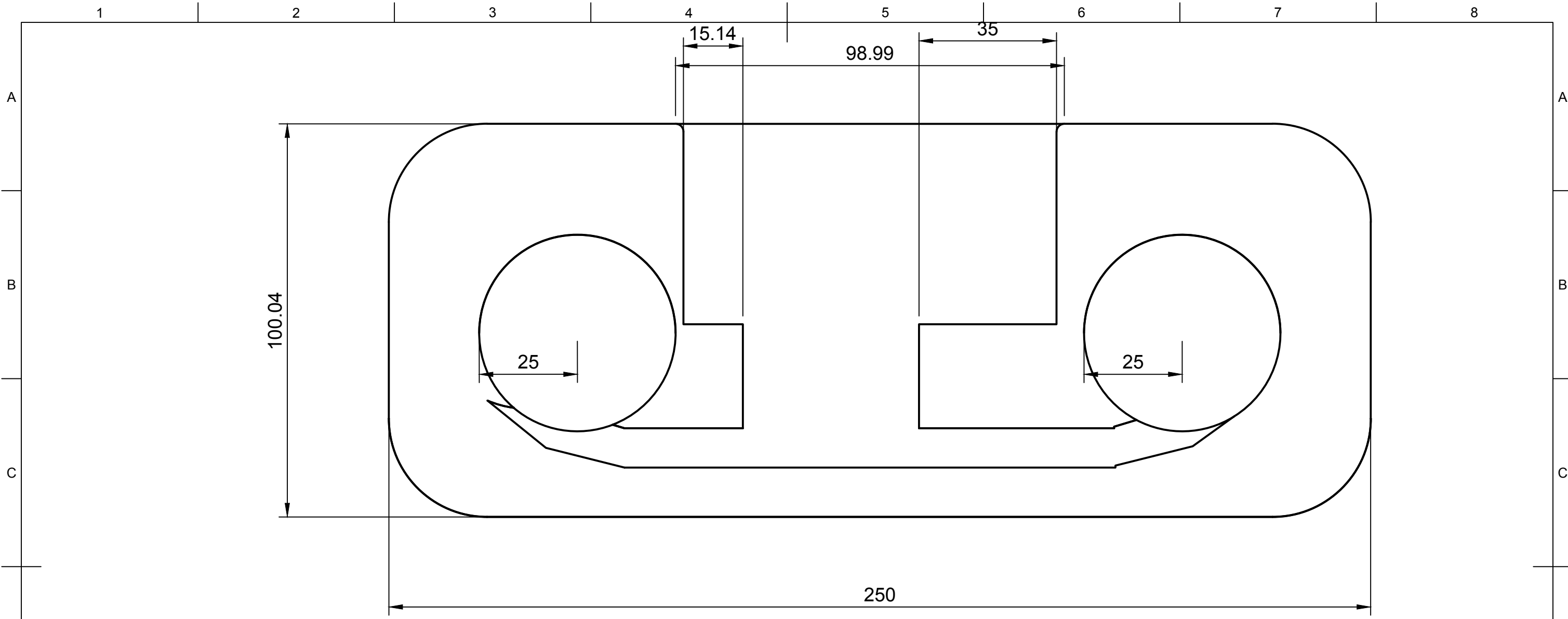
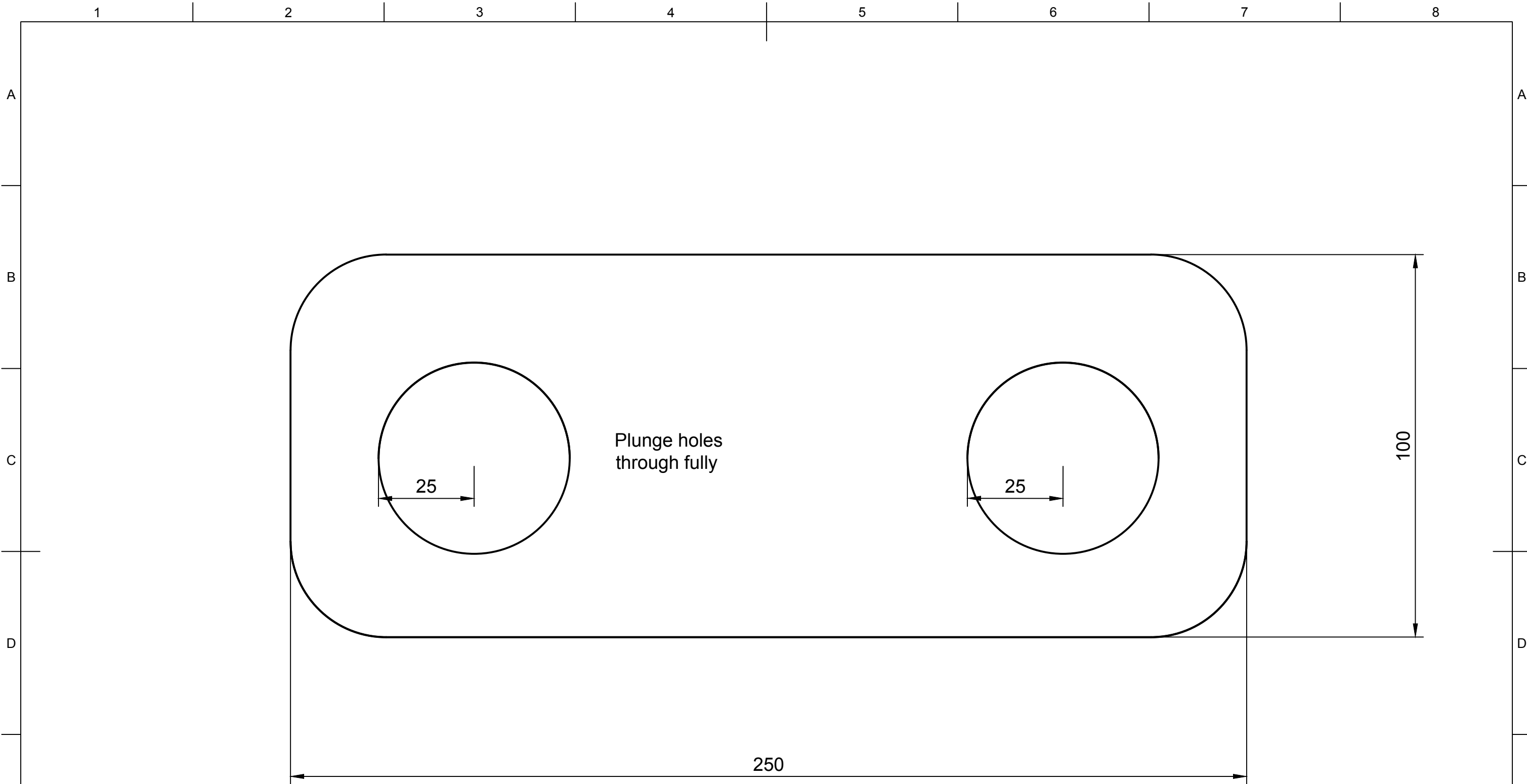


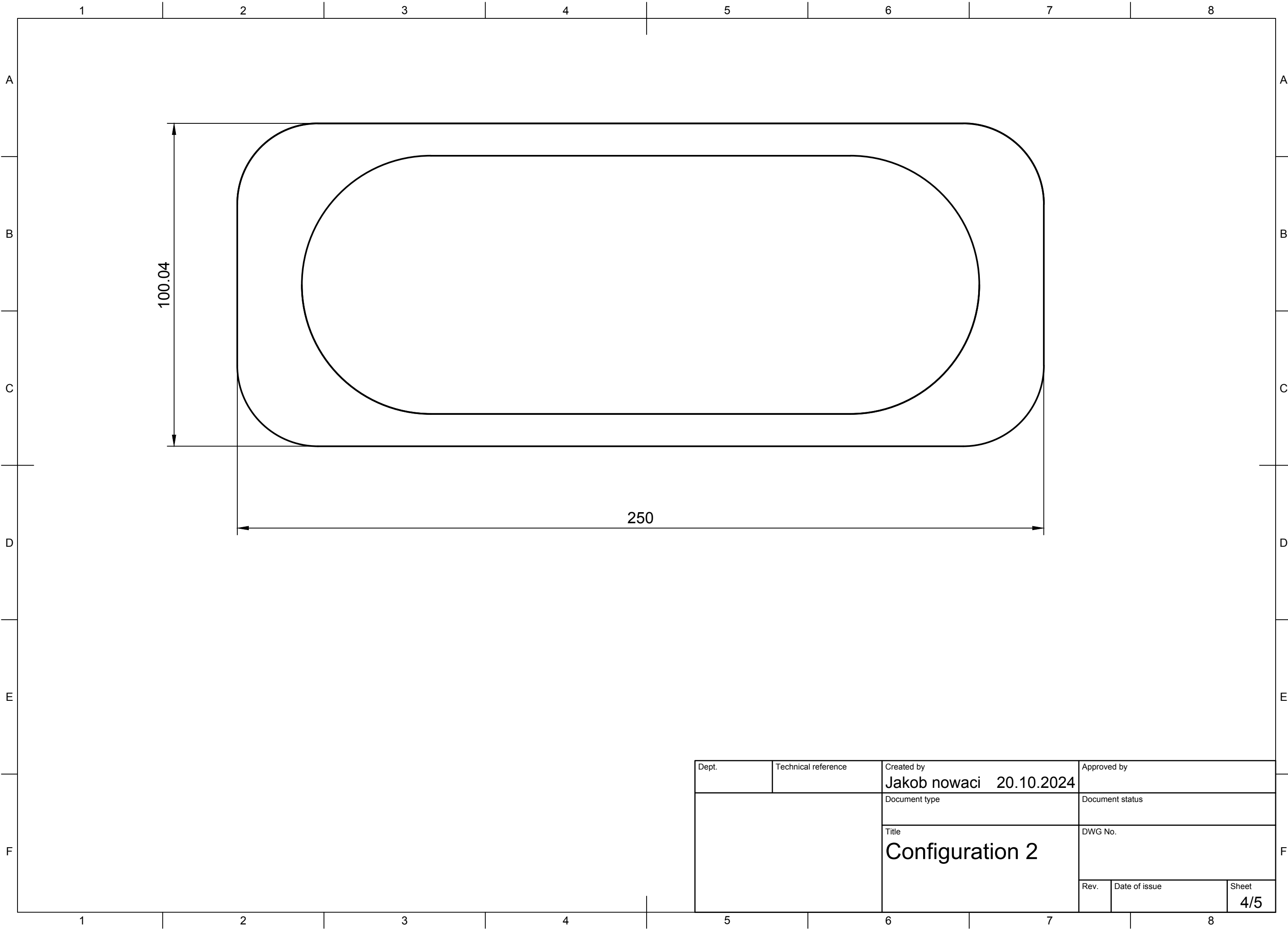
Dept.	Technical reference	Created by Jakob nowaci 20.10.2024	Approved by
		Document type	Document status
		Title Configuration 2	DWG No.
	Rev.	Date of issue	Sheet 1/5



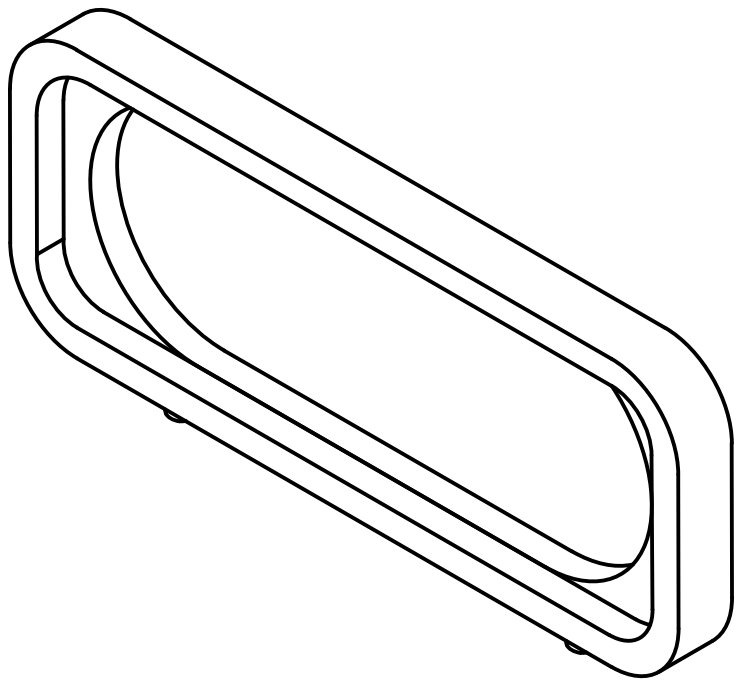
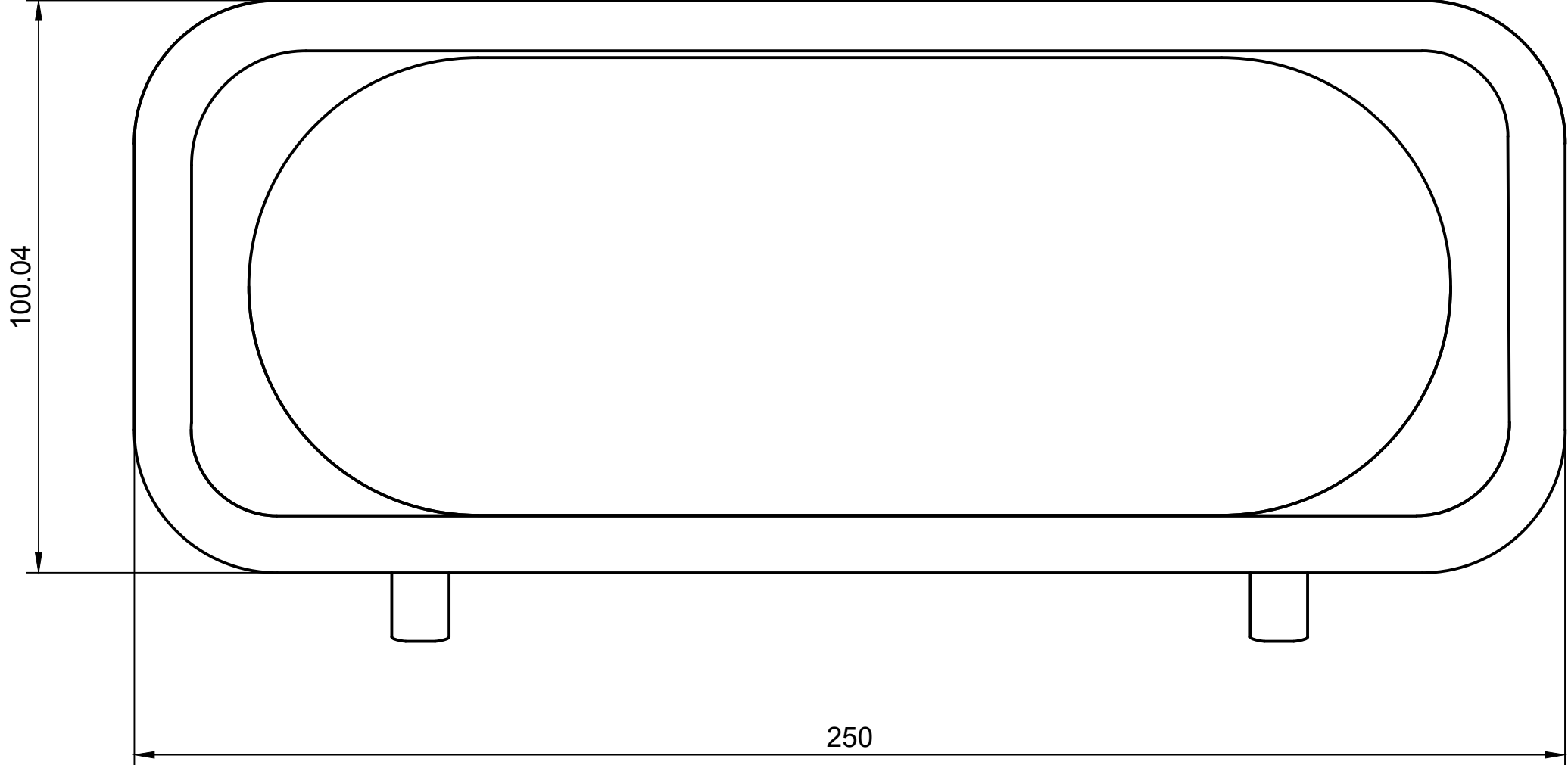
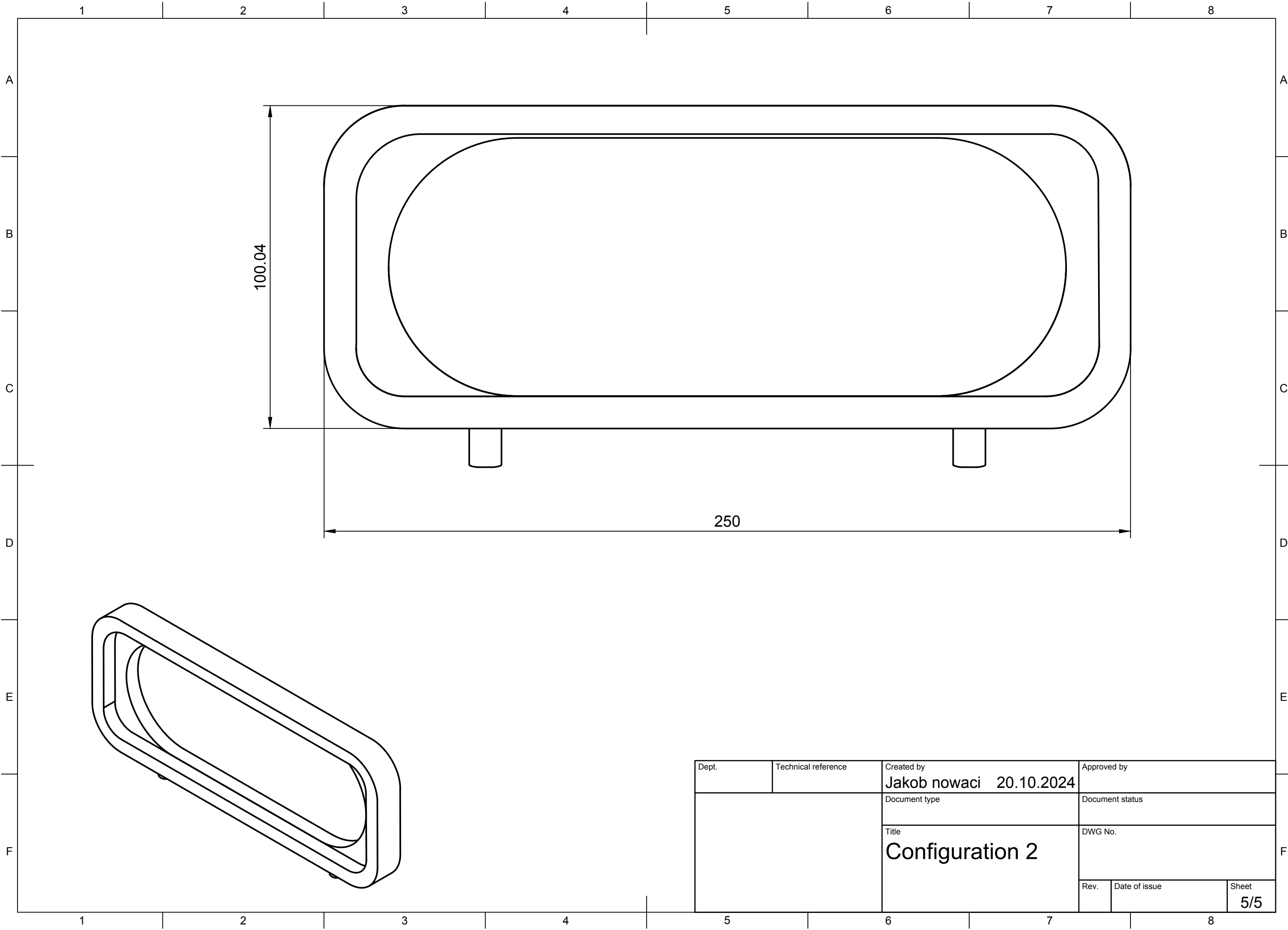
Dept.	Technical reference	Created by Jakob nowaci 20.10.2024	Approved by
		Document type	Document status
		Title Configuration 2	DWG No.
		Rev.	Date of issue
		Sheet 2/5	



Dept.	Technical reference	Created by Jakob nowaci 20.10.2024	Approved by
		Document type	Document status
		Title Configuration 2	DWG No.
		Rev.	Date of issue
		Sheet 3/5	



Dept.	Technical reference	Created by Jakob nowaci 20.10.2024	Approved by
		Document type	Document status
		Title Configuration 2	DWG No.
		Rev.	Date of issue
		Sheet 4/5	



Dept.	Technical reference	Created by Jakob nowaci 20.10.2024	Approved by
		Document type	Document status
		Title Configuration 2	DWG No.
		Rev.	Date of issue
		Sheet 5/5	