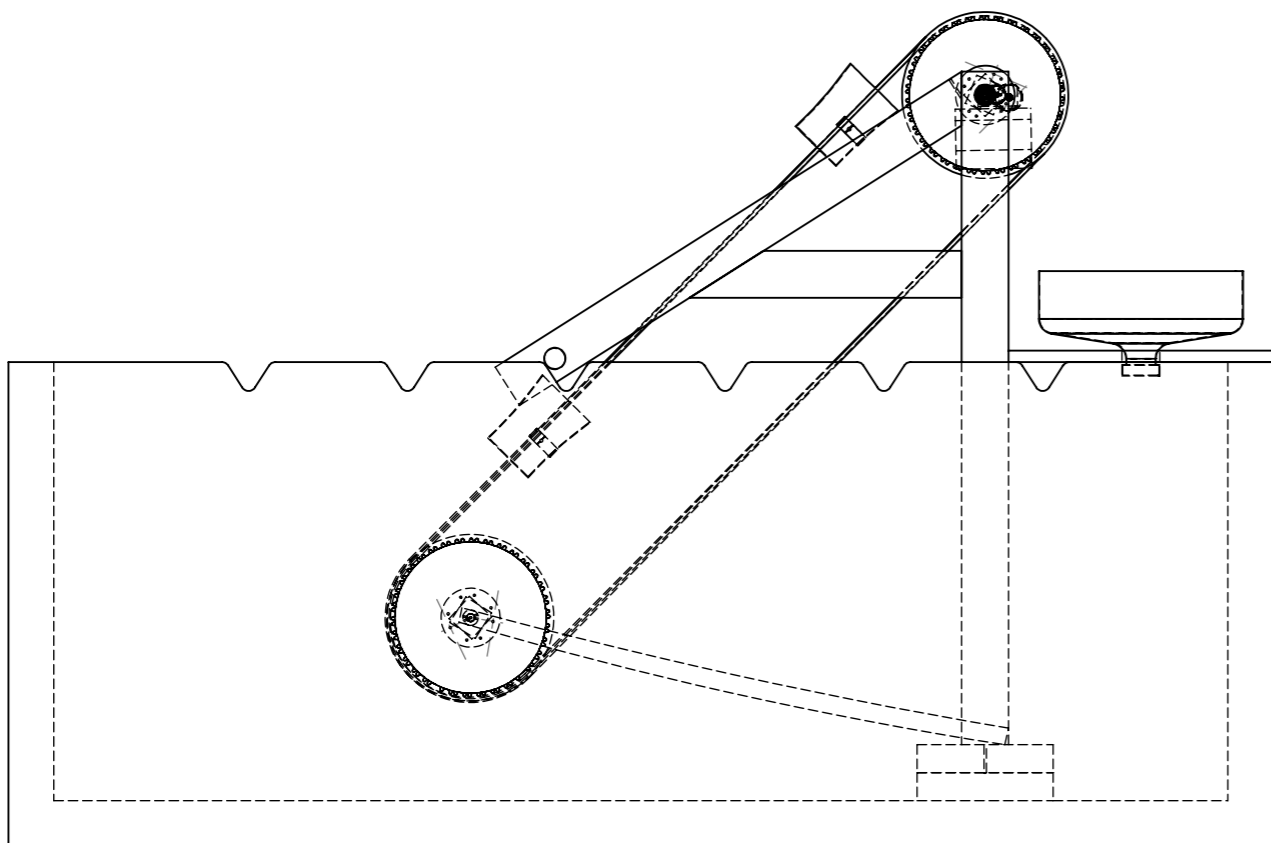
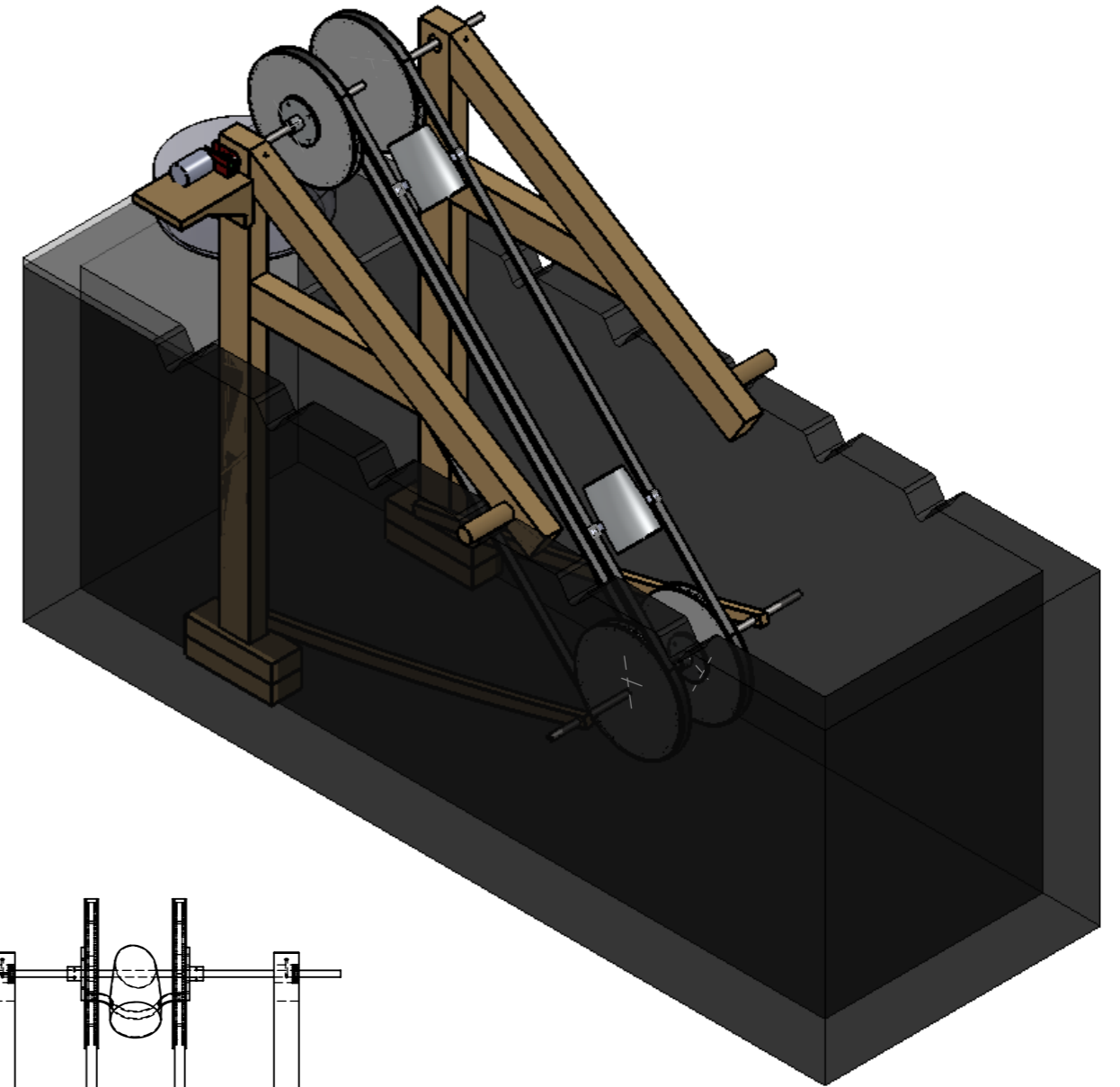
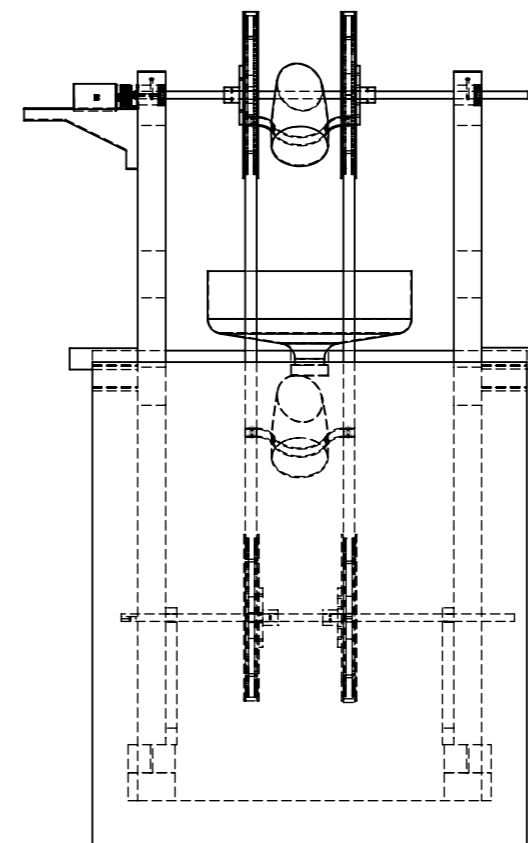


PLAN



FRONT ELEVATION



END ELEVATION

GSA PDE2
 PROJECT: HYDRO DO THAT
 GROUP: CROCODILES

BUCKET AND CHAIN WATER
 PUMP

SCALE: 1:10

NOTES:
 TO AVOID OVER CROWDING
 THE DRAWING ONLY TWO OF
 FIVE 'BUCKETS' ARE SHOWN