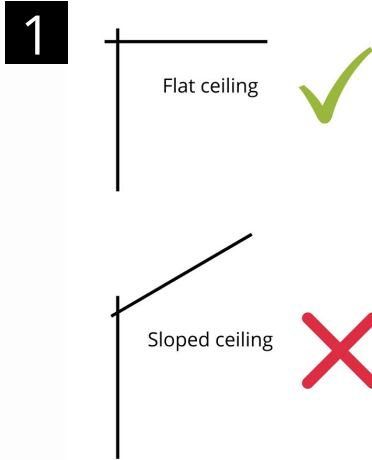
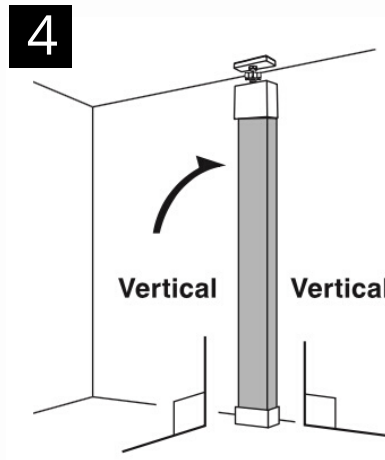


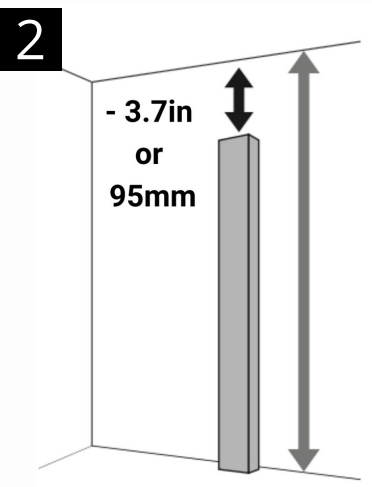
# DIY STANDING DESK INSTRUCTIONS



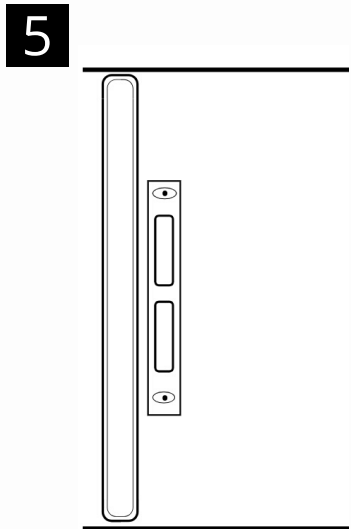
**1** Select location.  
The Labrico 2x4 Adjuster brackets need a flat and sturdy ceiling and floor.  
Check the ceiling and floor.



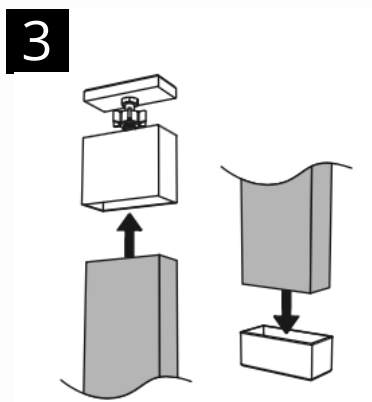
**4** Lift the wood post into place.



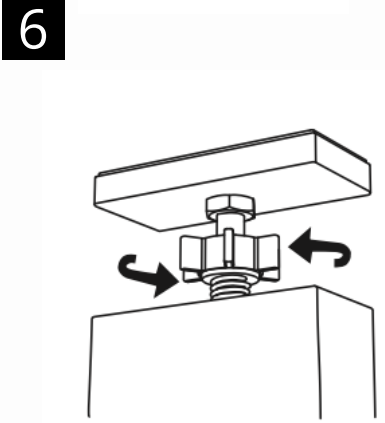
**2** Measure the height of the ceiling.  
Minus 3.7 inches or 95 mm from the measurement.



**5** Use a spirit level to check the wood post is vertical.  
If not, loosen the adjusting screw and reposition the post.



**3** Pop on the upper and bottom bracket onto the wood post.



**6** Turn the adjusting screw clockwise to tighten against the ceiling.

## DIY STANDING DESK INSTRUCTIONS



7

Setup 2 posts  
65cm (25") apart



10

Take the desk board off the shelf brackets.

Using the marked spots, drill pilot holes.



8

Mark a spot 100cm (40") from the floor. Fasten the 7" x 9" shelf brackets to the post.



11

Place the desk back onto the shelf brackets and use screws to fasten.



9

Place the desk board on the shelf brackets and centre.

Mark the screw holes from underneath.



12

★ Finished!