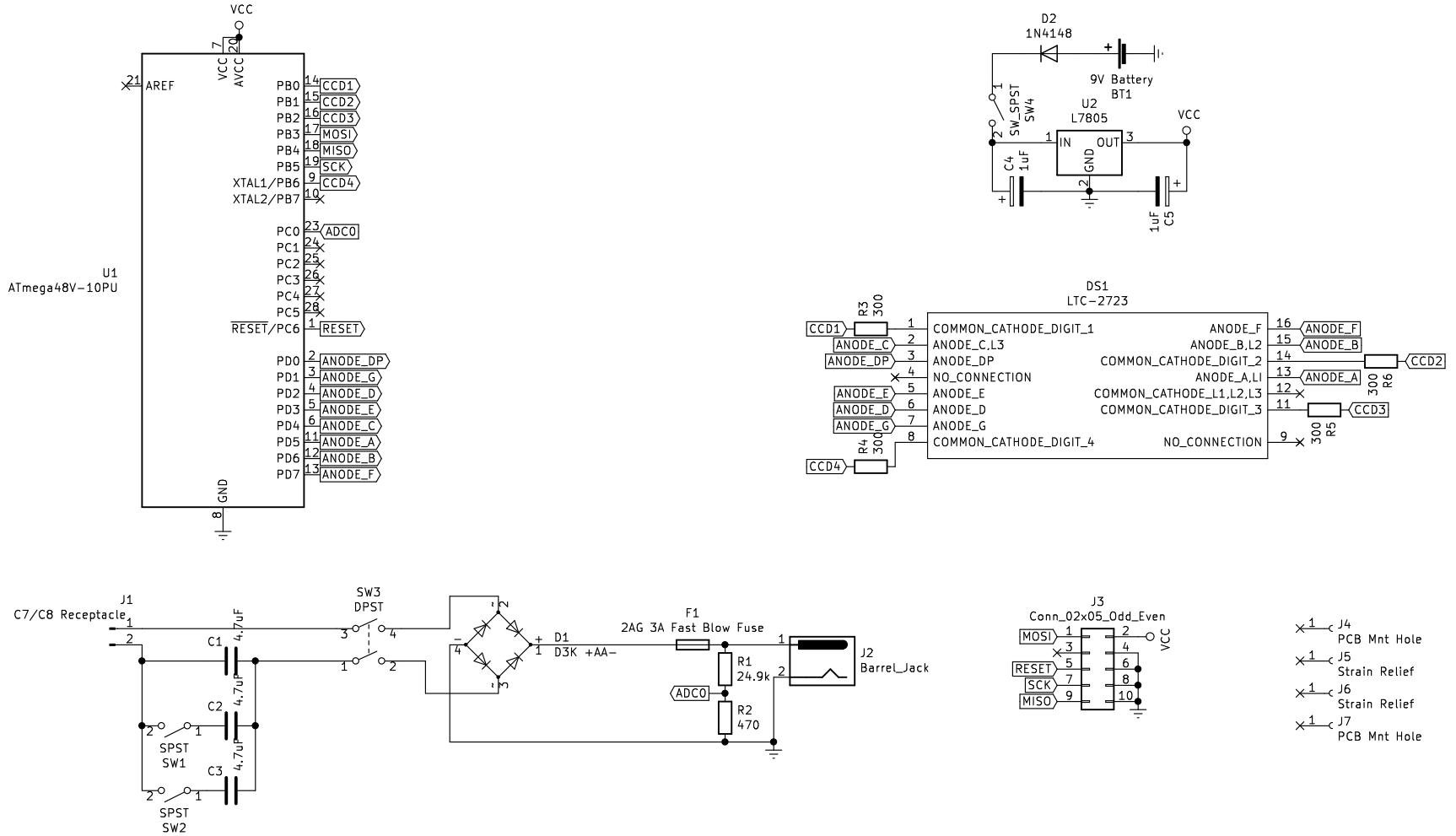


DANGER: LETHAL SHOCK HAZARD!
 DO NOT BUILD OR OPERATE THIS CIRCUIT UNLESS YOU TAKE FULL RESPONSIBILITY FOR ITS USE OR MISUSE.
 PCB MOUNTING HOLES ONLY FOR USE WITH 3D-PRINTED HOUSINGS WITH SCREW BOSSES
 DO NOT USE METAL SCREWS THROUGH MOUNTING HOLES IF THE SCREWS EXTEND OUTSIDE THE HOUSING, AS THEY MAY ACCIDENTALLY TOUCH HIGH VOLTAGE COMPONENTS AND EXPOSE THE USER TO LETHAL VOLTAGES.



Silverlake Corp.

Sheet: /
 File: DIMP2.sch

Title: DIMP

Size: USLetter Date: 2019-07-19
 KiCad E.D.A. eeschema (5.1.2)-1

Rev: 2-02
 Id: 1/1